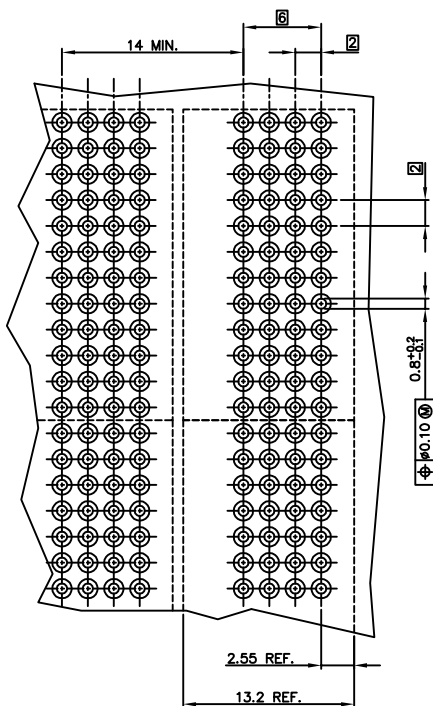
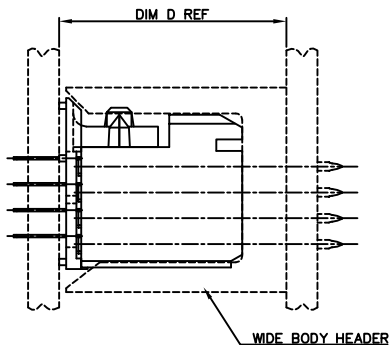
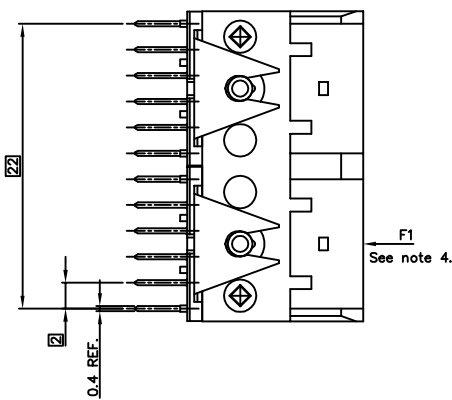
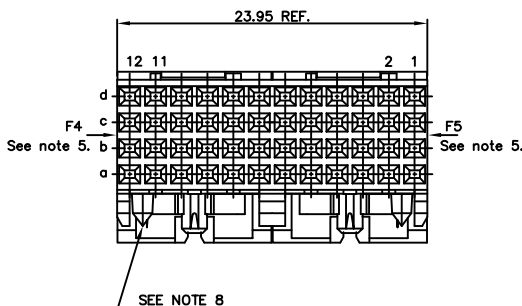
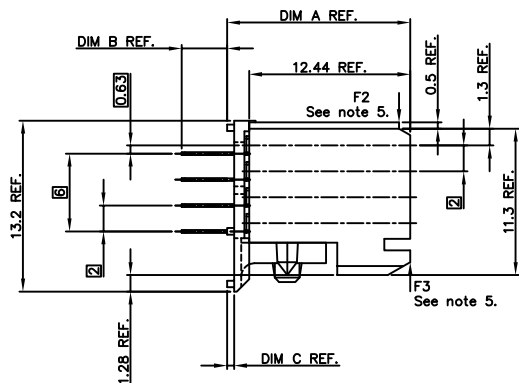


PRODUCT NR.  
85965-XYZ  
85965-XYZLF

PLATING CONTACT AREA:	
DASH NR:	PERFORMANCE LEVEL
-1YY/1YYLF	TELCORDIA CO
-2YY/2YYLF	CUSTOMER SPECIAL
-3YY/3YYLF	CUSTOMER SPECIAL



RECOMMENDED HOLE PATTERN,  
COMPONENT SIDE.

DASH NR	CONFIGURATION											PCB THICKN.	DIM A	DIM B	DIM C	DIM D		
	ROW #	12	11	10	9	8	7	6	5	4	3						2	1
-X01	D	+	+	+	+	+	+	+	+	+	+	+	+	2.4	14.14	3.50	0.54	17.64
	C	+	+	+	+	+	+	+	+	+	+	+	+					
	B	+	+	+	+	+	+	+	+	+	+	+	+					
-X01LF	A	+	+	+	+	+	+	+	+	+	+	+	+	3.2	13.60	4.04	0.00	17.10
	D	+	+	+	+	+	+	+	+	+	+	+	+					
	C	+	+	+	+	+	+	+	+	+	+	+	+					
-X02	B	+	+	+	+	+	+	+	+	+	+	+	+	2.4	13.60	3.24	0.00	17.10
	A	+	+	+	+	+	+	+	+	+	+	+	+					
	D	+	+	+	+	+	+	+	+	+	+	+	+					
-X02LF	C	+	+	+	+	+	+	+	+	+	+	+	+	1.6	13.60	2.39	0.00	17.10
	B	+	+	+	+	+	+	+	+	+	+	+	+					
	A	+	+	+	+	+	+	+	+	+	+	+	+					
-X03	D	+	+	+	+	+	+	+	+	+	+	+	+	1.6	14.14	2.70	0.54	17.64
	C	+	+	+	+	+	+	+	+	+	+	+	+					
	B	+	+	+	+	+	+	+	+	+	+	+	+					
-X03LF	A	+	+	+	+	+	+	+	+	+	+	+	+	1.6	14.64	3.00	0.54	18.14
	D	+	+	+	+	+	+	+	+	+	+	+	+					
	C	+	+	+	+	+	+	+	+	+	+	+	+					
-X04	B	+	+	+	+	+	+	+	+	+	+	+	+	1.6	15.14	2.50	0.54	18.64
	A	+	+	+	+	+	+	+	+	+	+	+	+					
	D	+	+	+	+	+	+	+	+	+	+	+	+					
-X04LF	C	+	+	+	+	+	+	+	+	+	+	+	+	1.6	14.64	3.00	0.54	18.14
	B	+	+	+	+	+	+	+	+	+	+	+	+					
	A	+	+	+	+	+	+	+	+	+	+	+	+					
-X05	D	+	+	+	+	+	+	+	+	+	+	+	+	1.6	14.14	2.70	0.54	17.64
	C	+	+	+	+	+	+	+	+	+	+	+	+					
	B	+	+	+	+	+	+	+	+	+	+	+	+					
-X05LF	A	+	+	+	+	+	+	+	+	+	+	+	+	1.6	14.64	3.00	0.54	18.14
	D	+	+	+	+	+	+	+	+	+	+	+	+					
	C	+	+	+	+	+	+	+	+	+	+	+	+					
-X06	B	+	+	+	+	+	+	+	+	+	+	+	+	1.6	15.14	2.50	0.54	18.64
	A	+	+	+	+	+	+	+	+	+	+	+	+					
	D	+	+	+	+	+	+	+	+	+	+	+	+					
-X06LF	C	+	+	+	+	+	+	+	+	+	+	+	+	1.6	14.64	3.00	0.54	18.14
	B	+	+	+	+	+	+	+	+	+	+	+	+					
	A	+	+	+	+	+	+	+	+	+	+	+	+					
-X07	D	+	+	+	+	+	+	+	+	+	+	+	+	1.6	15.14	2.50	0.54	18.64
	C	+	+	+	+	+	+	+	+	+	+	+	+					
	B	+	+	+	+	+	+	+	+	+	+	+	+					
-X07LF	A	+	+	+	+	+	+	+	+	+	+	+	+	1.6	14.64	3.00	0.54	18.14
	D	+	+	+	+	+	+	+	+	+	+	+	+					
	C	+	+	+	+	+	+	+	+	+	+	+	+					

"-" POSITION NOT LOADED  
"+" POSITION LOADED

NOTES:

1. BODY MAT'L: LIQUID CRYSTAL POLYMER 30% GLASS  
FLAME RETARDANT ACC. UL 94-V0
2. TERMINAL MATERIAL: PHOSPHOR BRONZE.
3. PLATING SOLDER TAILS 2-8 μm SnPb 90-97 OR 2-8 μm PURE Sn FOR LF.
4. LOAD IN THIS DIRECTION (E.G. THROUGH CODING)  
30 NEWTON MAXIMUM PER 12 mm CONNECTOR LENGTH.
5. LOAD IN THIS DIRECTION 25 NEWTON MAXIMUM PER CONNECTOR.
6. TO ENSURE PROPER ALIGNMENT OF MULTIPLE MODULES ON A BOARD THE USE OF A FIXTURE IS RECOMMENDED.
7. PRODUCT MARKING: PARTNUMBER & BATCH I.D.
8. DIAMOND LOCATION PEG ARE ONLY EXISTED ON THE BOTH SIDES OF PRODUCT.
9. THIS PRODUCT MEETS EUROPEAN UNION DIRECTIVES AND OTHER COUNTRY REGULATIONS AS DESCRIBED IN GS-22-008
10. THE HOUSING WILL WITHSTAND EXPOSURE TO 260 DEGREE PEAK TEMPERATURE FOR 10 SECONDS IN A WAVE SOLDER APPLICATION.

mat'l. code	tolerances unless otherwise specified	CUSTOMER COPY	
lit. tech no & date		projection	
H 0009-071 TER 9/10/08 linear		title	STR SIGN RCP
J 0009-0008 06/06/08		STB + WAFER 24mm	
D 0009-0008 06/06/08		product family	213
E 0009-0008 06/06/08		size/dwg no	85965
F 0009-0008 06/06/08		scale	1 of 1
G 0009-0008 06/06/08		sheet	
H 0009-0008 06/06/08		index	