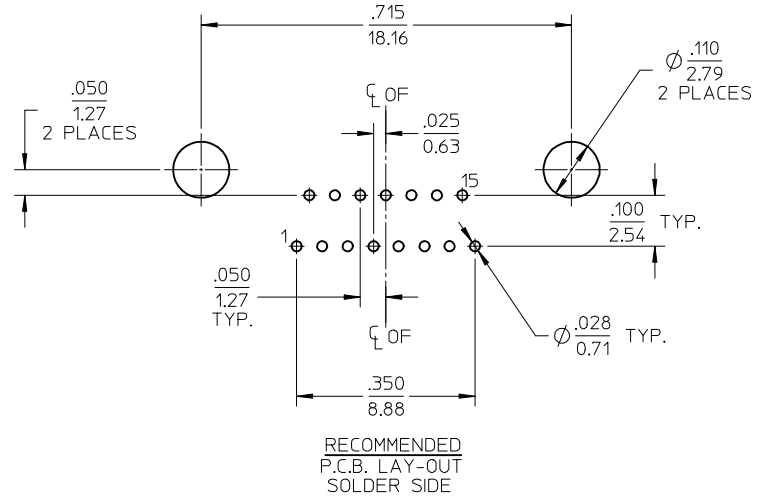
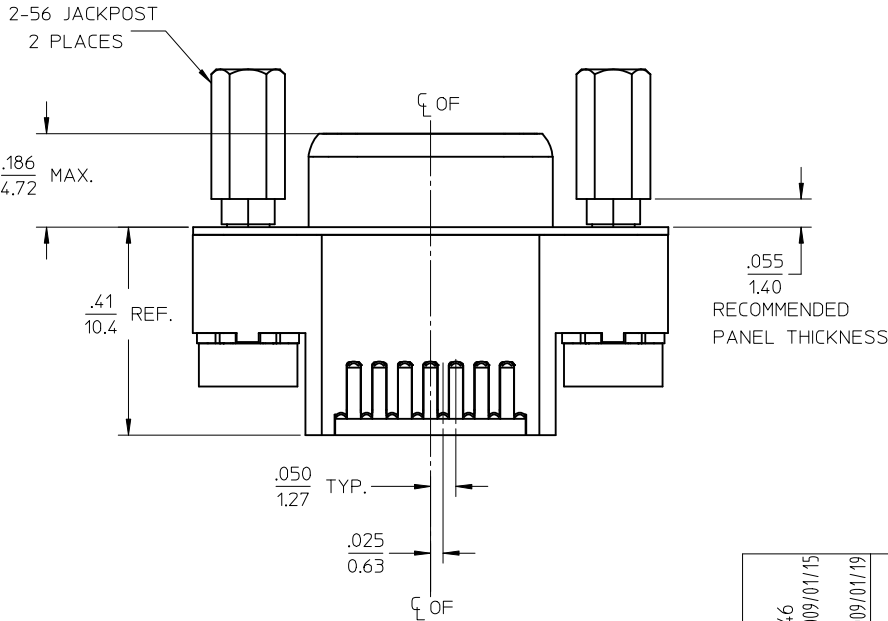
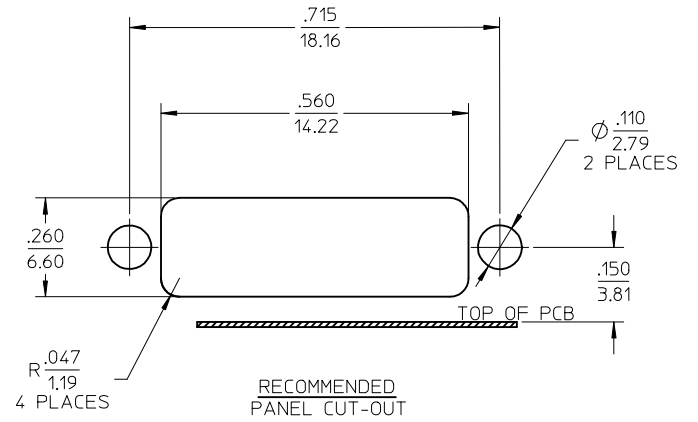
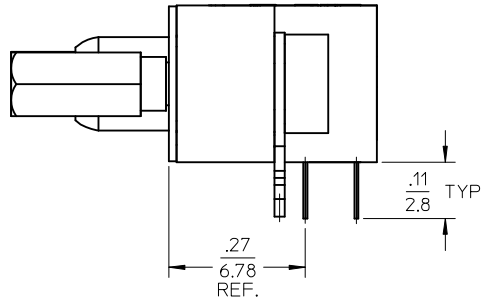
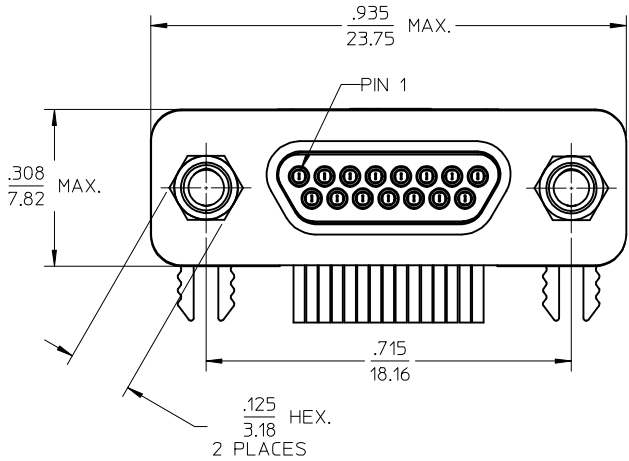


MATERIAL NO.	ENG. NO.
836129020	83612-9020

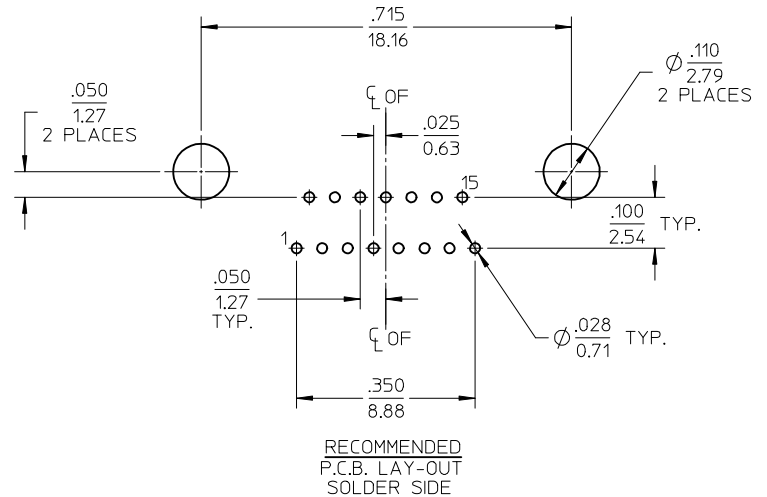
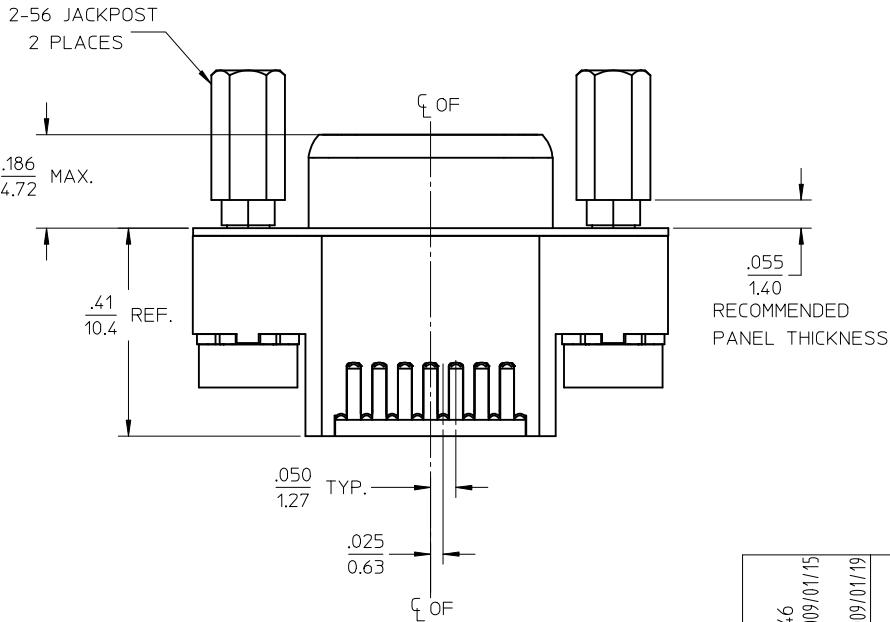
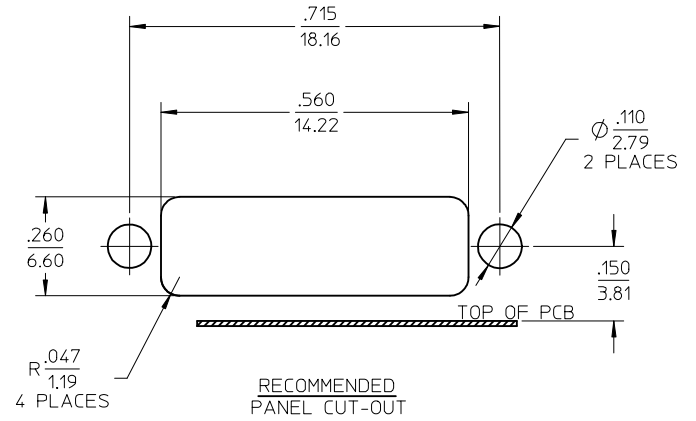
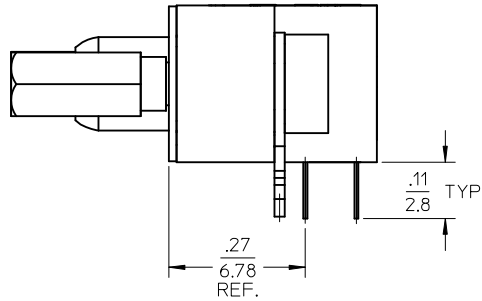
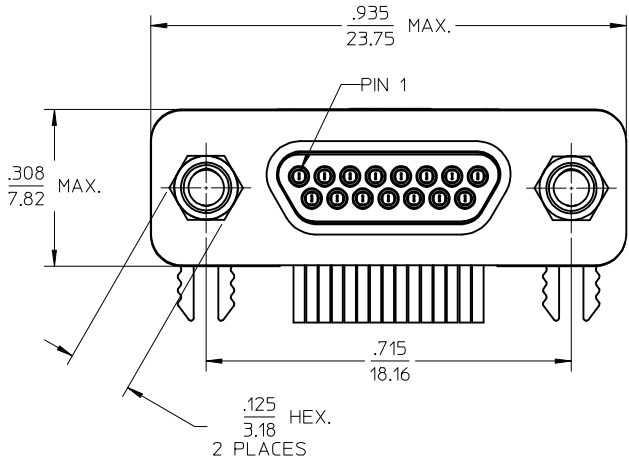


SALES DRAWING

NOTE:
 1. REFER TO PS-83421-9000 FOR PRODUCT SPECIFICATION.
 2. RoHS COMPLIANT

REDRAWN EC NO: WNA2008-0146 DRWN: RUPERT 2009/01/15 CHKD: APPR: JFMURPHY 2009/01/19	QUALITY SYMBOLS	GENERAL TOLERANCES (UNLESS SPECIFIED)		DIMENSION STYLE		SCALE	DESIGN UNITS	THIRD ANGLE PROJECTION	
	$\nabla=0$ $\square=0$	mm	INCH	IN/MM		4:1	INCH		
		4 PLACES ± ---	± ---	DRAWN BY	DATE	TITLE			
		3 PLACES ± ---	± .005	JLOMASTR	04/09/20	CONNECTOR COMMERCIAL MICRO D R/A SIZE 15			
	2 PLACES ± 0.13	± .01	CHECKED BY	DATE	MOLEX INCORPORATED				
	1 PLACE ± 0.25	± ---	RDEROSS	04/09/27	DOCUMENT NO.				
	ANGULAR ± 1 °		APPROVED BY	DATE	SD-83612-002				
	DRAFT WHERE APPLICABLE MUST REMAIN WITHIN DIMENSIONS		RDEROSS	04/09/28	MATERIAL NO.		SHEET NO.		
			SEE CHART		THIS DRAWING CONTAINS INFORMATION THAT IS PROPRIETARY TO MOLEX INCORPORATED AND SHOULD NOT BE USED WITHOUT WRITTEN PERMISSION		1 OF 1		

MATERIAL NO.	ENG. NO.
836129020	83612-9020



SALES DRAWING

- NOTE:
- REFER TO PS-83421-9000 FOR PRODUCT SPECIFICATION.
 - RoHS COMPLIANT

REDRAWN EC NO: WNA2008-0146 DRWN: RUPERT 2009/01/15 CHKD: APPR: JF MURPHY 2009/01/19	QUALITY SYMBOLS ▽=0 □=0	GENERAL TOLERANCES (UNLESS SPECIFIED)		DIMENSION STYLE IN/MM		SCALE 4:1	DESIGN UNITS INCH	THIRD ANGLE PROJECTION																													
		<table border="1"> <thead> <tr> <th></th> <th>mm</th> <th>INCH</th> </tr> </thead> <tbody> <tr> <td>4 PLACES</td> <td>± ---</td> <td>± ---</td> </tr> <tr> <td>3 PLACES</td> <td>± ---</td> <td>± .005</td> </tr> <tr> <td>2 PLACES</td> <td>± 0.13</td> <td>± .01</td> </tr> <tr> <td>1 PLACE</td> <td>± 0.25</td> <td>± ---</td> </tr> </tbody> </table>		mm	INCH	4 PLACES	± ---	± ---	3 PLACES	± ---	± .005	2 PLACES	± 0.13	± .01	1 PLACE	± 0.25	± ---	<table border="1"> <thead> <tr> <th>DRAWN BY</th> <th>DATE</th> <th>TITLE</th> </tr> </thead> <tbody> <tr> <td>JLOMASTR</td> <td>04/09/20</td> <td rowspan="2">CONNECTOR COMMERCIAL MICRO D R/A SIZE 15</td> </tr> <tr> <td>CHECKED BY</td> <td>DATE</td> </tr> <tr> <td>RDEROSS</td> <td>04/09/27</td> <td rowspan="2">MOLEX INCORPORATED</td> </tr> <tr> <td>APPROVED BY</td> <td>DATE</td> </tr> <tr> <td>RDEROSS</td> <td>04/09/28</td> <td>DOCUMENT NO.</td> </tr> </tbody> </table>	DRAWN BY	DATE	TITLE	JLOMASTR	04/09/20	CONNECTOR COMMERCIAL MICRO D R/A SIZE 15	CHECKED BY	DATE	RDEROSS	04/09/27	MOLEX INCORPORATED	APPROVED BY	DATE	RDEROSS	04/09/28	DOCUMENT NO.	MATERIAL NO.		SHEET NO.
	mm	INCH																																			
4 PLACES	± ---	± ---																																			
3 PLACES	± ---	± .005																																			
2 PLACES	± 0.13	± .01																																			
1 PLACE	± 0.25	± ---																																			
DRAWN BY	DATE	TITLE																																			
JLOMASTR	04/09/20	CONNECTOR COMMERCIAL MICRO D R/A SIZE 15																																			
CHECKED BY	DATE																																				
RDEROSS	04/09/27	MOLEX INCORPORATED																																			
APPROVED BY	DATE																																				
RDEROSS	04/09/28	DOCUMENT NO.																																			
DRAFT WHERE APPLICABLE MUST REMAIN WITHIN DIMENSIONS		SEE CHART		SD-83612-002		1 OF 1		THIS DRAWING CONTAINS INFORMATION THAT IS PROPRIETARY TO MOLEX INCORPORATED AND SHOULD NOT BE USED WITHOUT WRITTEN PERMISSION																													