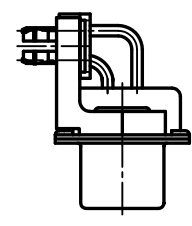
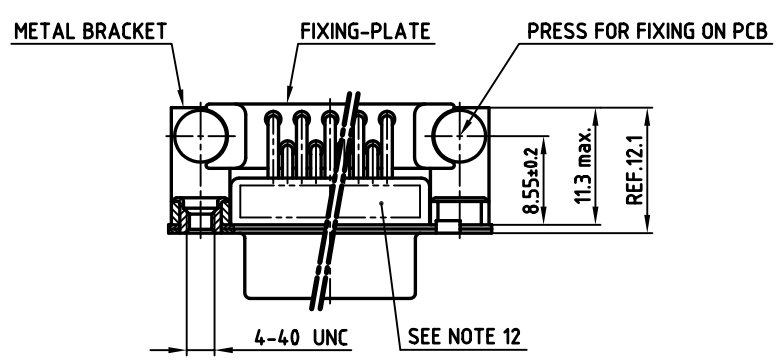
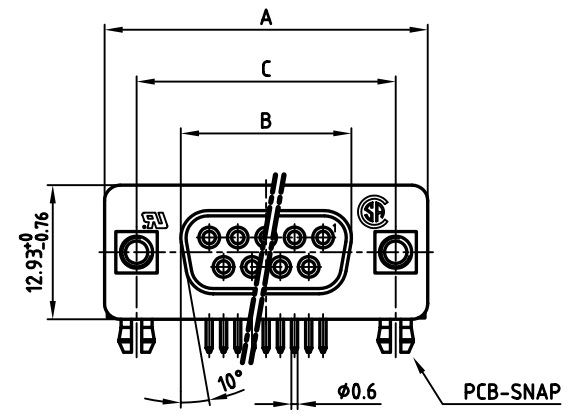
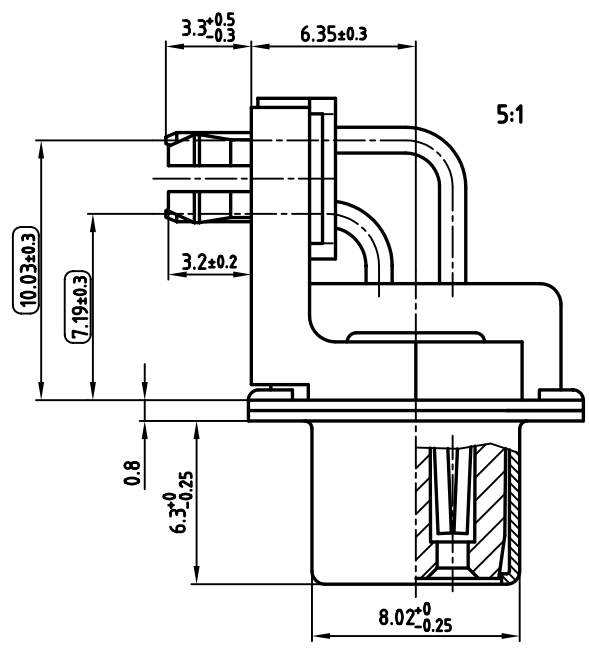


No. of pos.	A ^{-0.76}	B ^{-0.25}	C	Part NO.
9	31.19	16.46	25.00 ^{+0.12} _{-0.13}	FDCNXSTCM39S132X
15	39.52	24.79	33.30 ^{+0.15} _{-0.1}	FDCPXSTCM39S132X
25	53.42	38.50	47.04 ^{+0.13}	FDCRXSTCM39S132X
37	69.70	54.96	63.50 ^{+0.13}	FDCSXSTCM39S132X

used for: D-SUB FILTER



NOTES:

- METALSHELLS: COPPER ALLOY; min. 320 μ " TIN
- INSULATORS: HIGH TEMPERATURE PLASTIC UL 94 V-0, BLACK
- CONTACTS: COPPER ALLOY
PLATING: 30 μ " HARD GOLD OVER min. 50 μ " NICKEL
CONTACT TAILS PRETINNED
- METAL BRACKET: DIE-CASTING; min. 320 μ " TIN over 80 μ " NICKEL
- THREADED INSERT: COPPER ALLOY; min. 200 μ " TIN over 80 μ " NICKEL
- PCB-SNAP: COPPER ALLOY; min. 200 μ " TIN over 80 μ " NICKEL
PCB-HOLE: $\phi 3.1 \pm 0.1$; PCB THICKNESS 1.6mm
- FIXING-PLATE: HIGH TEMPERATURE PLASTIC UL 94 V-0, BLACK
- P.C.B. HOLE DRILLINGS ON SHEET 2
- CAPACITANCE: 1300pF $\pm 20\%$
- DIELECTRIC WITHSTANDING VOLTAGE: 424 VDC
- MAXIMUM TORQUE VALUE FOR THREAD: 6" LBS
- CONNECTOR IS PART MARKED: PART-NO. CONEC ABC
- = CHECK DIMENSION

Directive 2002/95/EC
RoHS-Compliant

APPROVAL # FREIGABE # DEBLOCAGE # AUTORIZACION # APPROVAL

CUSTOMER APPROVAL DATE:

NAME: TITLE:

COMPANY NAME:

APPROVAL # FREIGABE # DEBLOCAGE # AUTORIZACION # APPROVAL

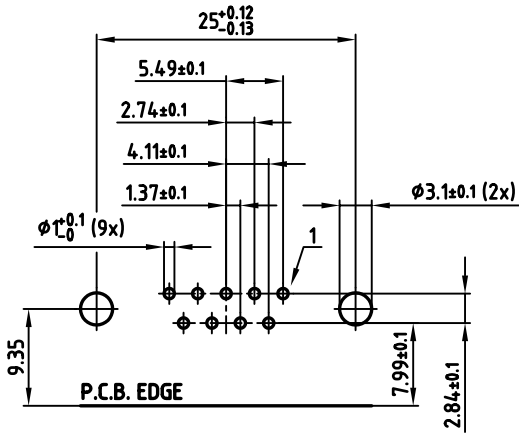
THIS DRAWING MAY NOT BE COPIED OR REPRODUCED IN ANY WAY, AND MAY NOT BE PASSED ON TO A THIRD PARTY, WITHOUT WRITTEN PERMISSION. OWNERSHIP AND COPYRIGHT OF CONEC GmbH DO NOT ALTER CAD DRAWING BY HAND

rev.	description	date	name
a	Origin		

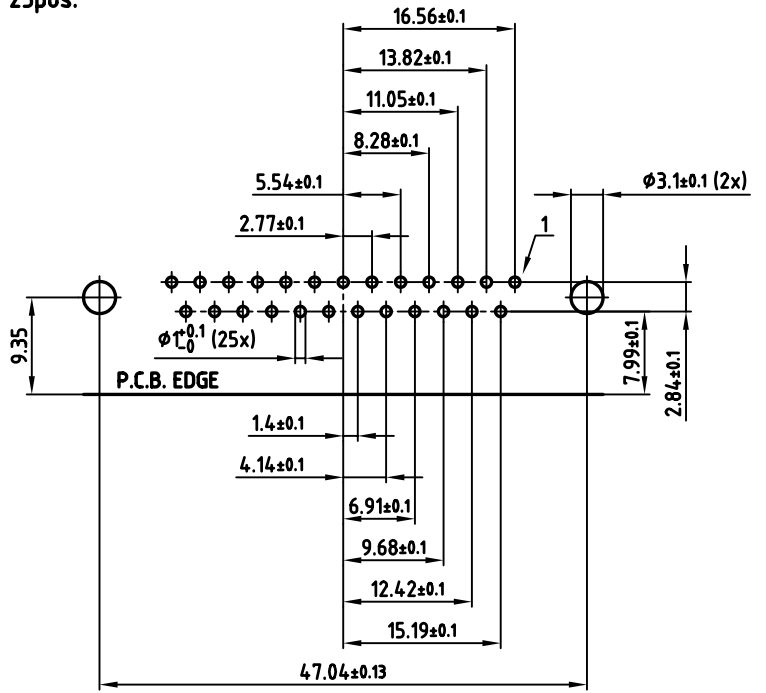
tolerance			scale: 2:1 (5:1)	
2006	date		material: SEE NOTES	
drawn	24.03.	Lehmenkühler	title: D-SUB FILTER FEMALE 90° 9-37pos. 0.318inch threaded insert, metal bracket, fixing-plate, clip	
appd.	24.03.	Mickenbecker		
norm	DIN 41652			
d-old		dwg no: AutoCAD 2006 DIN-A		
		24K2A771		
		part no: SEE TABLE		

DIN-A		3		sh:1/2	
-------	--	---	--	--------	--

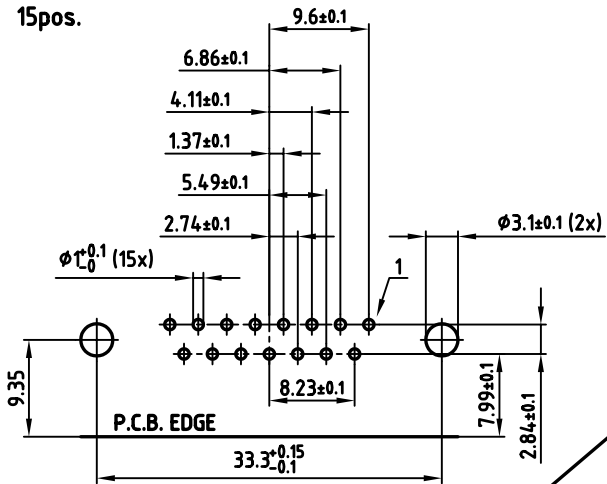
9pos.



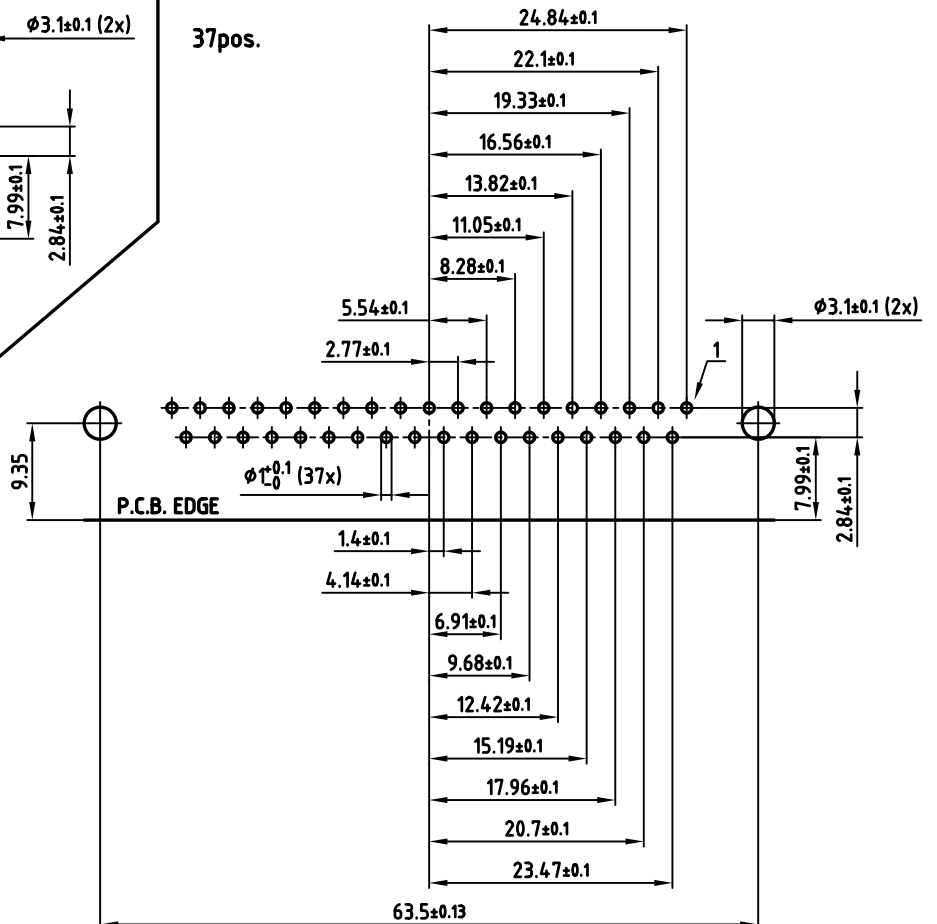
25pos.



15pos.



37pos.



used for: D-SUB FILTER

APPROVAL # FREIGABE # DEBLOCAGE # AUTORIZACION # APPROVAL

CUSTOMER APPROVAL DATE:

NAME: TITLE:

COMPANY NAME:

APPROVAL # FREIGABE # DEBLOCAGE # AUTORIZACION # APPROVAL

THIS DRAWING MAY NOT BE COPIED OR REPRODUCED IN ANY WAY, AND MAY NOT BE PASSED ON TO A THIRD PARTY, WITHOUT WRITTEN PERMISSION. OWNERSHIP AND COPYRIGHT OF CONEC Gmbh DO NOT ALTER CAD DRAWING BY HAND

tolerance	dim. in mm	
2006	date	name
drawn	24.03.	Lehmenkühler
appd.	24.03.	Mickenbecker
norm	DIN 41652	
d-old		
a	Origin	
rev.	description	date name

scale: 2:1

material: SEE SHEET 1

title: P.C.B. HOLE DRILLINGS

D-SUB FILTER FEMALE 90° 9-37pos. 0.318inch threaded insert, metal bracket, fixing-plate, clip

dwg no: AutoCAD 2006

24K2A771

part no: SEE SHEET 1

DIN-A 3 sh:2/2

