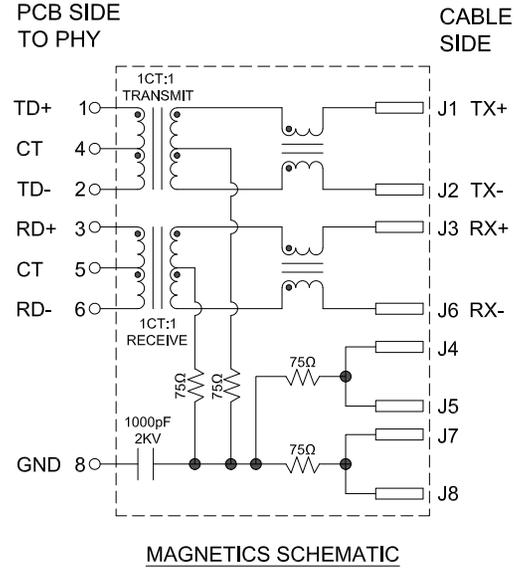


RECOMMENDED PCB LAYOUT
(COMPONENT SIDE)



Materials and Finish

Housing Material:
Thermoplastic, UL 94V-0 Rated,
Color: Black

Shield:
Brass, Nickel Plated

Contact Material:
Copper Alloy

Contact Plating:
Nickel Underplating,
Gold Flash Plating on Contact Area,
Tin Plated on Solder Area

Electrical Characteristics

Dielectric Withstanding Voltage:
2250 V DC Min. for 6 Seconds
Primary to Secondary

Mechanical Characteristics

Durability Rating:
750 Mating Cycles Min.
Mating Force:
23 N Max.
Operating Temperature:
-40°C to +85°C

ELECTRICAL PROPERTIES OF MAGNETICS:

Insertion Loss (dB Max)	Return Loss (dB Min)				Cross Talk (dB Min)			CMR (dB Min)	OCL (uH Min)	
	1~10 MHz	10~30 MHz	30~60 MHz	60~80 MHz	1~30 MHz	30~60 MHz	60~100 MHz			
1~100 MHz	-1.0	-20	-16	-12	-10	-40	-35	-30	-30	@ 100 KHz & 100 mV, 8 mA
										350

Tolerances

X.X ± 0.35
X.XX ± 0.25
Unless Stated
Otherwise



REV.	DATE	DESCRIPTION	REV. BY	CHK. BY	DRAWN BY	DATE
A0.1	12/06/19	New Drawing	C. Kelleher	D. Shehan	C. Kelleher	12/06/19
A0.2	07/15/2020	Update Material	C. Kelleher	D. Shehan		
A1	07/21/2020	Release DC19-061	D. Shehan	C. Kelleher		
A2	08/19/20	Update Drawing	G. Serrato	D. Shehan		

G14X-288S9-RR

Dual Stacked RJ45 Modular Jack,
With 10/100 Magnetics, Shielded

