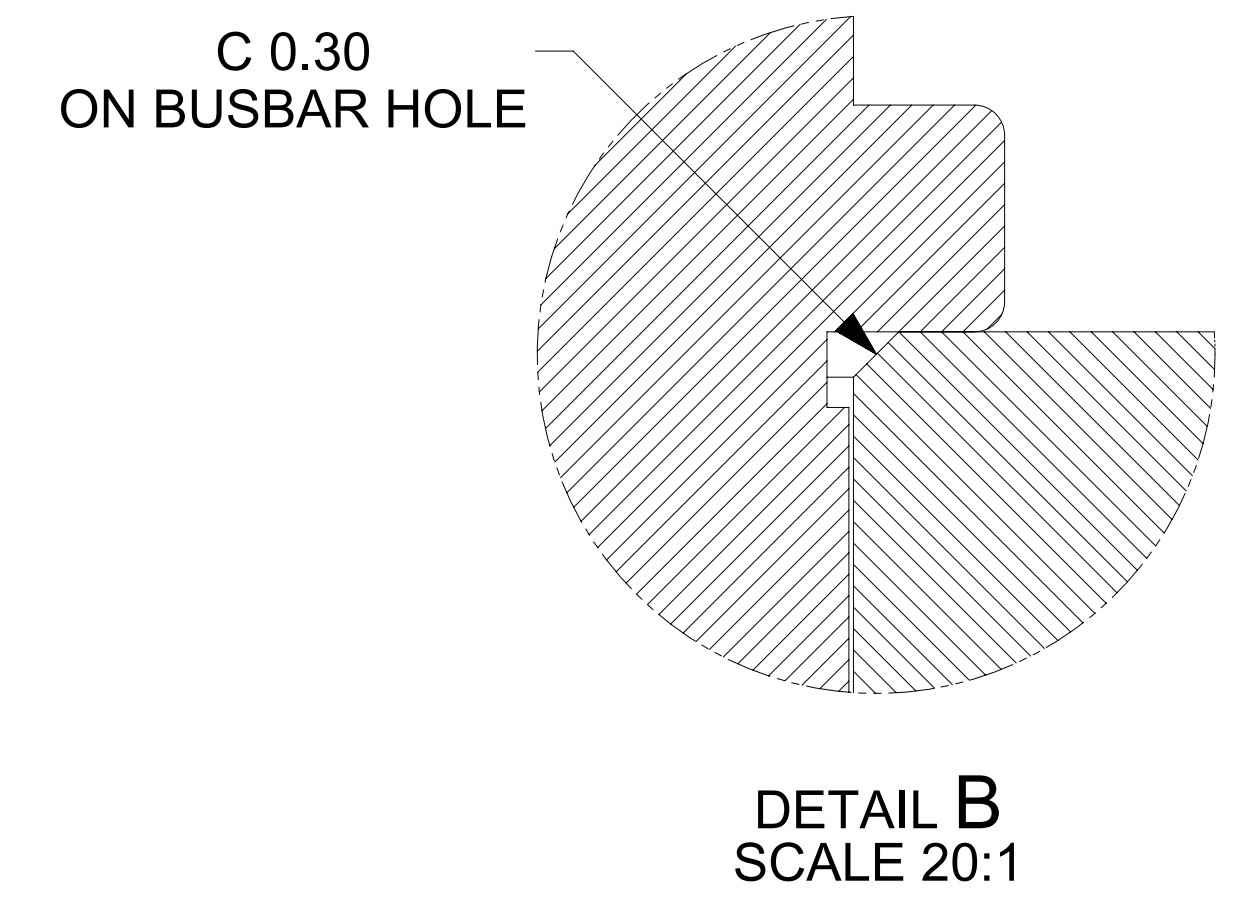
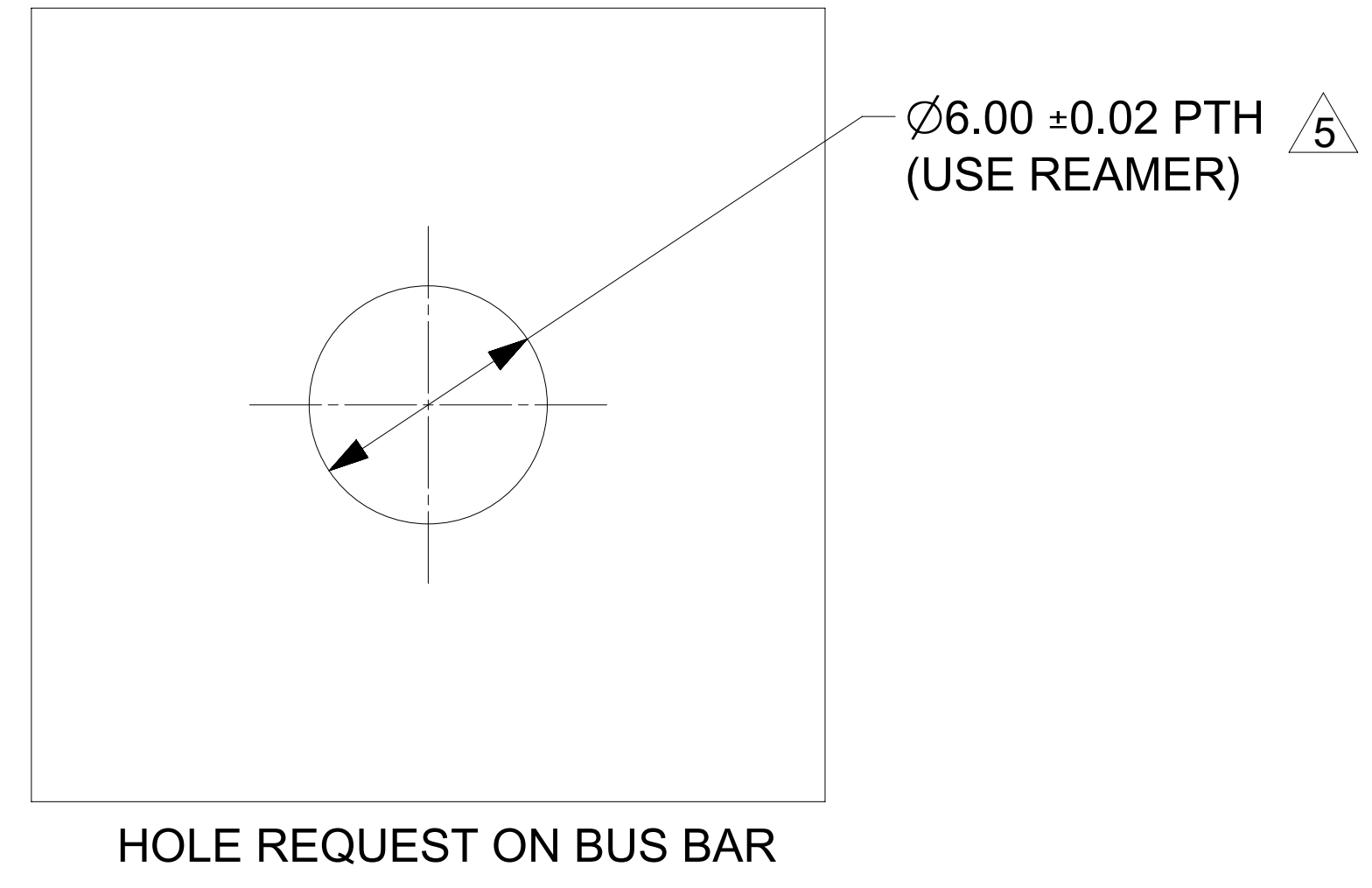
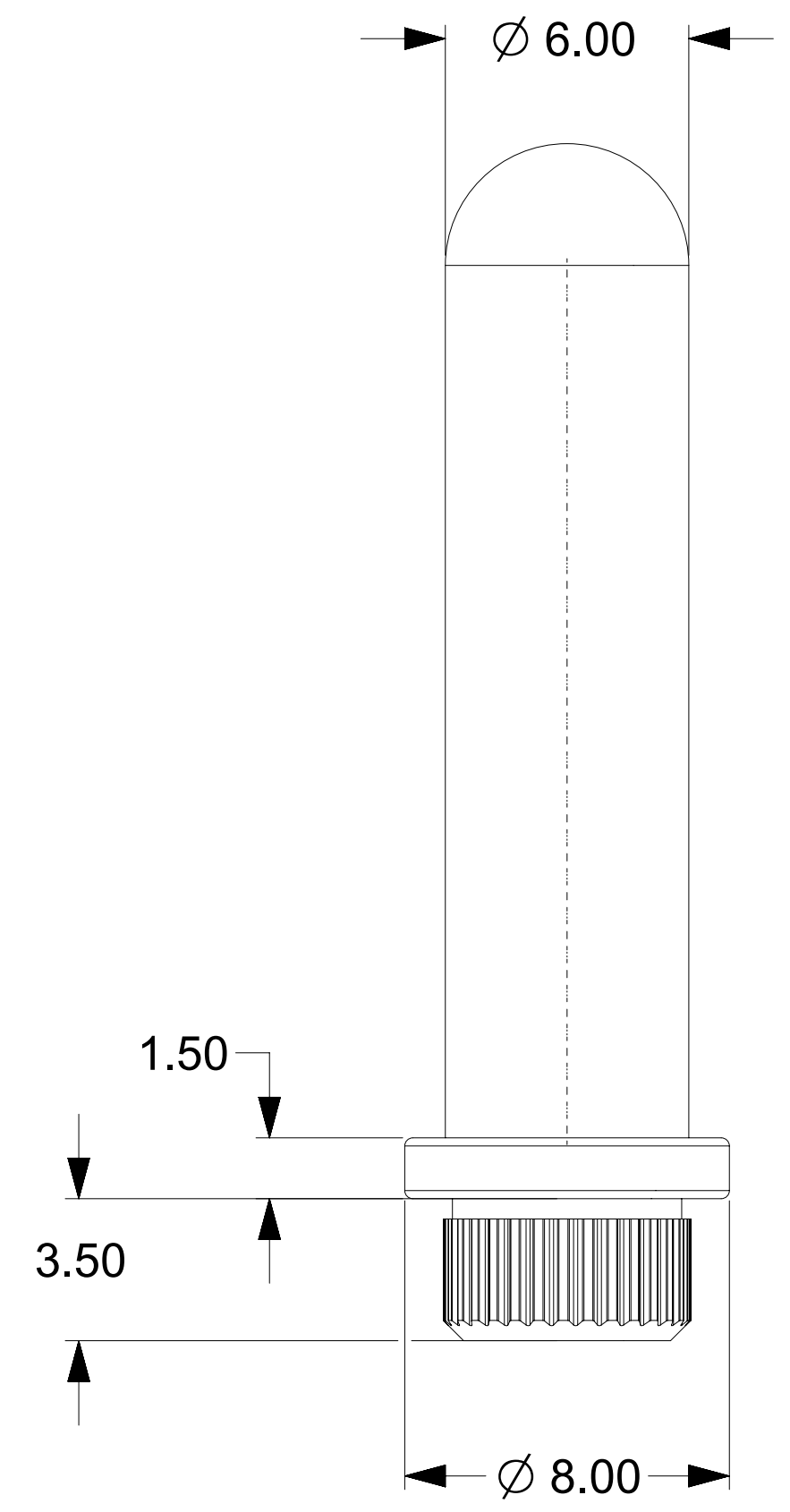
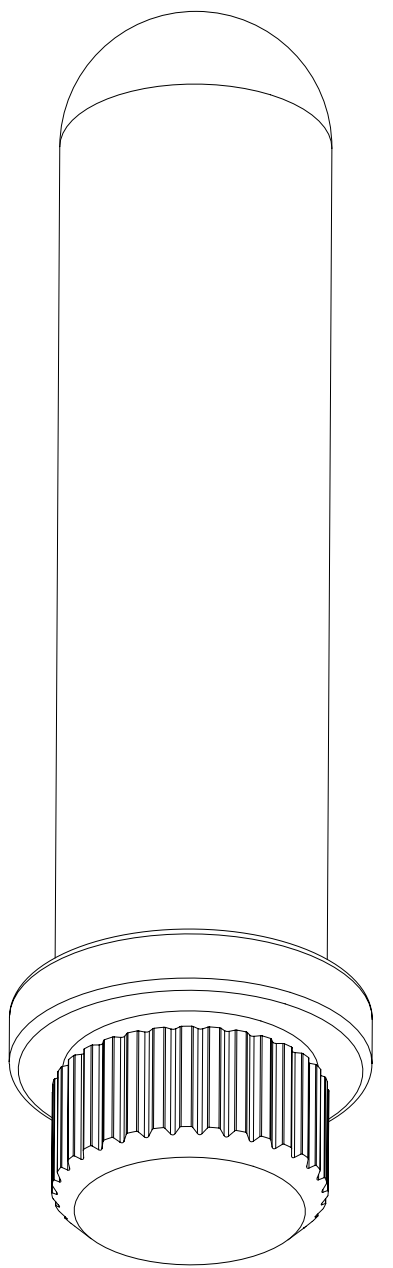
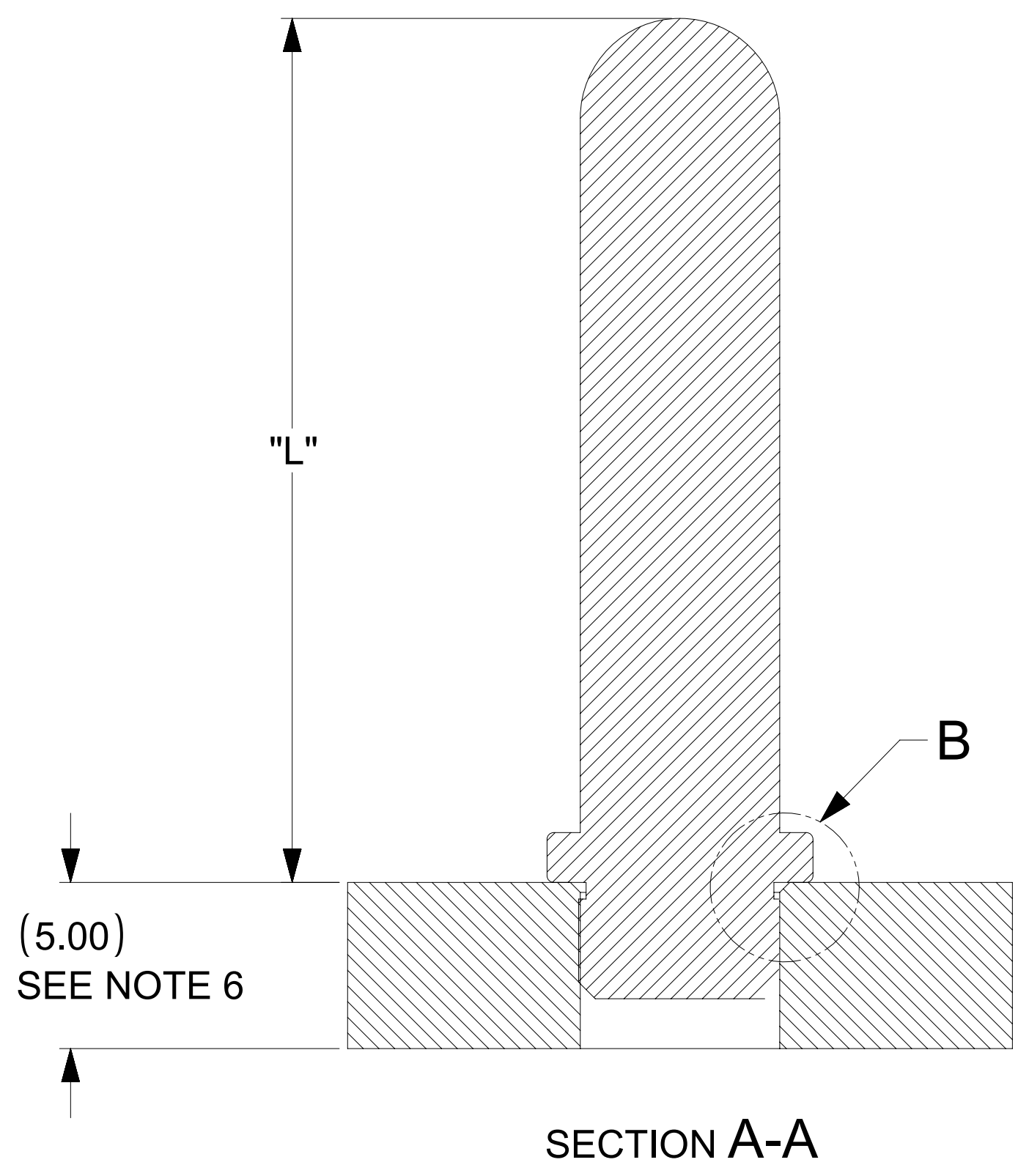
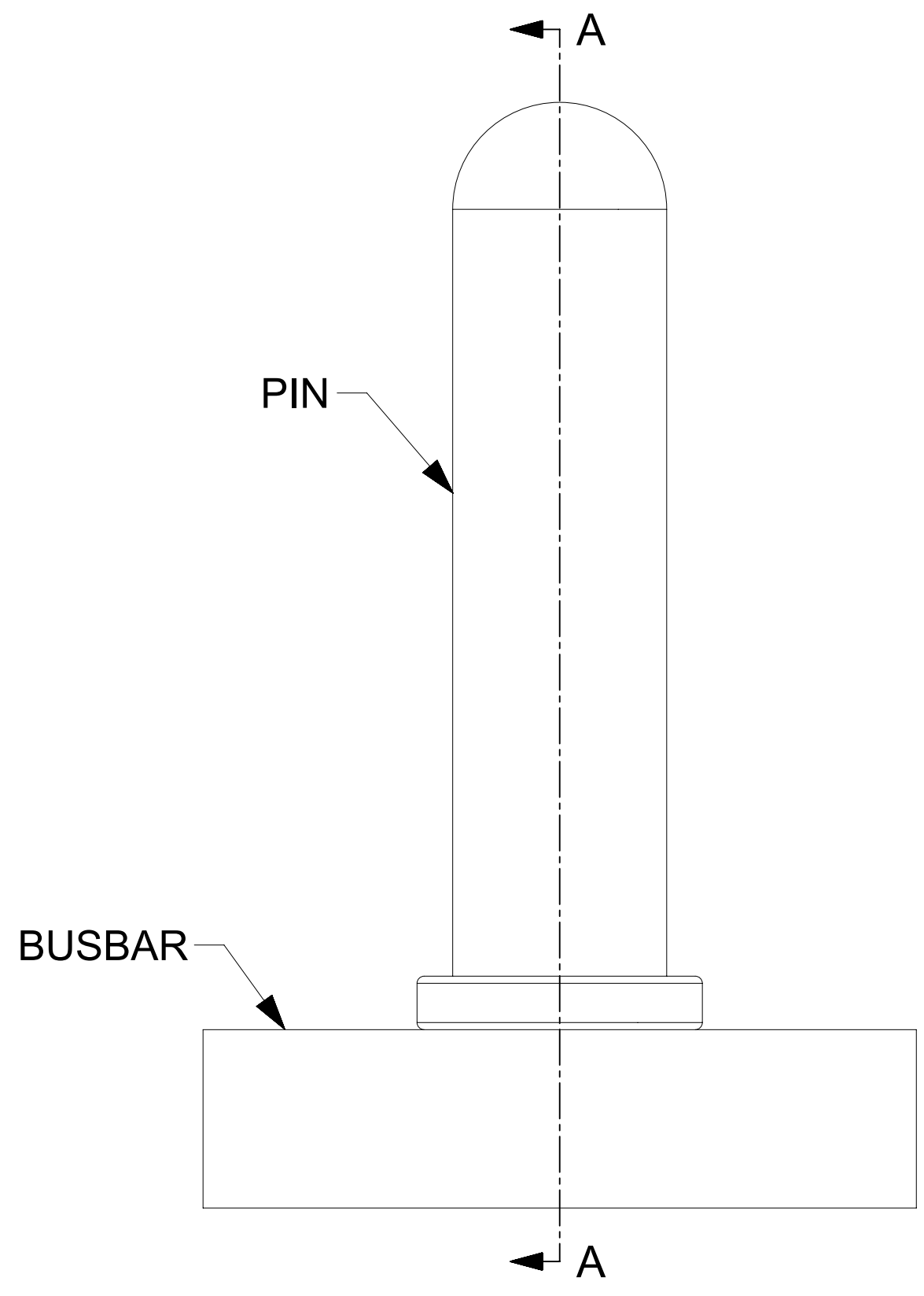


PART NUMBER	DIMENSION "L"
203263-0006	26.00
203263-0016	20.00
203263-0026	14.00
203263-0036	36.00
203263-0046	17.95
203263-0056	16.00
203263-0066	48.00



- NOTES :
- MATERIAL:
    - BASE METAL: HIGH CONDUCTIVE COPPER ALLOY
    - PLATING ON BODY: 3.18 MICRON MIN SILVER OVER 1.27 MICRON MIN NICKEL
  - PRODUCT SPECIFICATION: 2043130006-PS
  - APPLICATION SPECIFICATION: 2043130006-AS
  - PACKAGING SPECIFICATION: 2032630006-PK
  - SILVER COMPONENTS WILL BE SUPPLIED TARNISH FREE BUT MAY TARNISH OVER TIME.
  - MINIMUM RECOMMENDED BUSBAR THICKNESS IS 1.5MM



THIS DRAWING CONTAINS INFORMATION THAT IS PROPRIETARY TO MOLEX ELECTRONIC TECHNOLOGIES, LLC AND SHOULD NOT BE USED WITHOUT WRITTEN PERMISSION											
DIMENSION UNITS		SCALE		CURRENT REV DESC: UPDATED THE DESCRIPTION							
mm		10:1									
GENERAL TOLERANCES (UNLESS SPECIFIED)											
ANGULAR TOL ± 0.5°											
4 PLACES ±				EC NO: 726284							
3 PLACES ±				DRWN: SOURAJ		2022/10/26					
2 PLACES ± 0.15				CHK'D: SUVARS		2022/10/27					
1 PLACE ± 0.25				APPR: GSHARMA		2022/10/28					
0 PLACES ±				INITIAL REVISION:							
				DRWN: FCSSO		2018/10/01					
				APPR: BPISZCZOR		2019/06/10					
DRAFT WHERE APPLICABLE MUST REMAIN WITHIN DIMENSIONS				THIRD ANGLE PROJECTION		DRAWING		SERIES		MATERIAL NUMBER	
						D-SIZE		203263		SEE TABLE	
								CUSTOMER		GENERAL MARKET	
										SHEET NUMBER	
										1 OF 1	