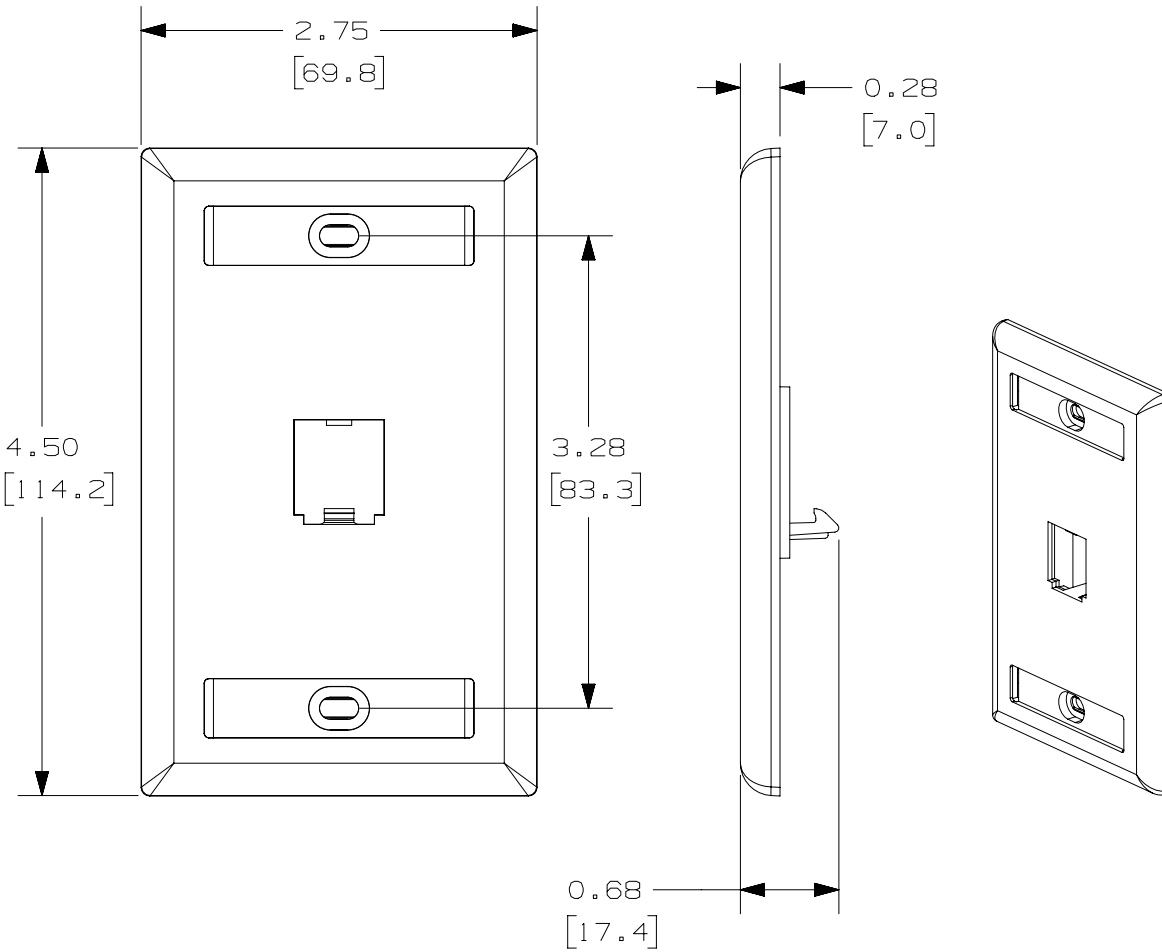


THIS COPY IS PROVIDED ON A RESTRICTED BASIS AND IS NOT TO BE USED IN ANY WAY DETRIMENTAL TO THE INTERESTS OF PANDUIT CORP.



PANDUIT P/N	WEIGHT
CFPL1**Y	.60 LB/10 PCS. (273.9 G/10 PCS.)

NOTES:

- SEE CURRENT CATALOG FOR ADDITIONAL PART NUMBER SUFFIXES TO INDICATE COLOR AND OR PACKAGE QUANTITY.
- SEE CATALOG FOR COMPLETE LIST OF PARTS APPLICABLE FOR USE WITH THIS PART.
- PART INCLUDES:
 - 1- FACEPLATE
 - 2- MOUNTING SCREW
 - 2- LABEL
 - 2- LABEL COVER
- DIMENSIONS IN [] ARE IN METRIC.

PRODUCT SPEC	N/A	PACKAGING SPEC	N/A
PART NUMBER	CFPL1**Y	WORK INSTRUCTION	N/A
INSPECTION INSTRUCTION NUMBER	N/A	FMEA & CONTROL PLAN NUMBER	N/A

TITLE		MINI-COM 1 POSITION VERTICAL CLASSIC SERIES FACEPLATE WITH LABEL/COVER	
CUSTOMER DRAWING			
ITEM REVISION NAME		00128LAB/00	
DATASET FILE NAME		00128LAB_DC02/00A	
UNLESS OTHERWISE SPECIFIED, DIMENSIONAL TOLERANCES ARE: IN [mm]		MATERIAL:	
.x ± .1 [2.54] .xxx ± .005 [.127]		ABS	
.xx ± .01 [.25] ANGLES ± 5 °		DRAWING NUMBER:	
THIRD ANGLE PROJECTION		00128LAB-02	
DRAWN BY	DATE	CHK	SCALE
BJN	10-26-16	SCAL	NONE
SHT 1 OF 1		A	

REV	DATE	BY	CHK	APR	DESCRIPTION	ECN
R	10-26-16	BJN	SCAL	MMR	RELEASED TO PRODUCTION	00128LAB-02

D10100DA/20

2

1

2

1