

6

5

4

3

2

1

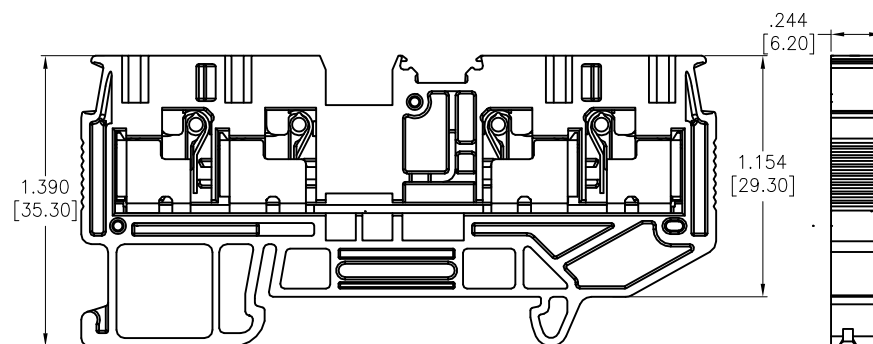
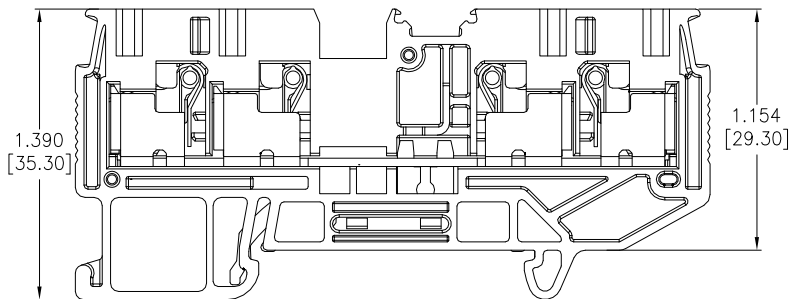
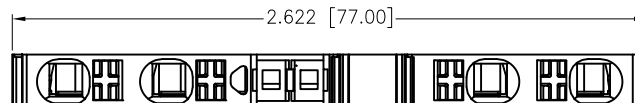
APPROVED: _____

DATE: _____ TITLE: _____

Rev	AWO #	Description	Date	Appr
-		RELEASED	10/7/22	

D

D



C

C

B

B

SPECIFICATIONS:

Material:

Insulator: PA66, rated UL 94V-0

Insulator Color: See Chart

Contacts: Copper Alloy, Tin Plated

Electrical:

Voltage rating: 600 VAC

Current rating: 30 Amp

Dielectric withstanding voltage: 2200 VAC for 1 minute

Mechanical:

Wire range : 24-10 #AWG

Flexible: 0.2-4.0

Stripping Length: 10-12

Temperature Rating:

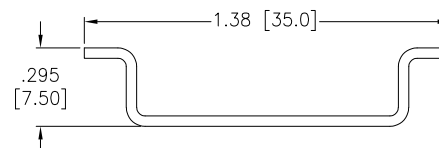
Operating temperature: -40°C to +105°C

Environmental:

Lead free, RoHS compliant.



RECOMMENDED RAIL SIZE
35.0mm X 7.5mm



ADAM-P/N	Color
REB-B4C-OR	ORANGE
REB-B4C-BU	BLUE
REB-B4C-GY	GRAY
REB-B4C-YG	YELLOW/GREEN

A

A

UNLESS OTHERWISE SPECIFIED ALL DIMENSIONS ARE INCHES [MM]. TOLERANCES: EXCEPT AS NOTED				909 Rahway Avenue, Union, NJ 07083							
<table border="0"> <tr> <td>INCHES</td> <td>HOLES</td> </tr> <tr> <td>.x ± .10</td> <td>∅x ± .10</td> </tr> <tr> <td>.xx ± .020</td> <td>∅xx ± .015</td> </tr> <tr> <td>.xxx ± .015</td> <td>∅xxx ± .010</td> </tr> </table>				INCHES	HOLES	.x ± .10	∅x ± .10	.xx ± .020	∅xx ± .015	.xxx ± .015	∅xxx ± .010
INCHES	HOLES										
.x ± .10	∅x ± .10										
.xx ± .020	∅xx ± .015										
.xxx ± .015	∅xxx ± .010										
DRAWN	JJ	10/7/22	TITLE								
CHECKED	RC	10/7/22	DIN RAIL TERMINAL BLOCKS, GUV 4 HOLE, 4.0 FLEXIBLE								
APPROVED			SIZE	PART NO.	REV.						
THIS DRAWING CONTAINS INFORMATION THAT IS PROPRIETARY AND SHOULD NOT BE USED WITHOUT PRIOR WRITTEN PERMISSION FROM ADAM TECH			X	REB-B4C-XX	-						
REF:	S00067C	SCALE:	NTS	SHEET 1 OF 1							

6

5

4

3

2

1