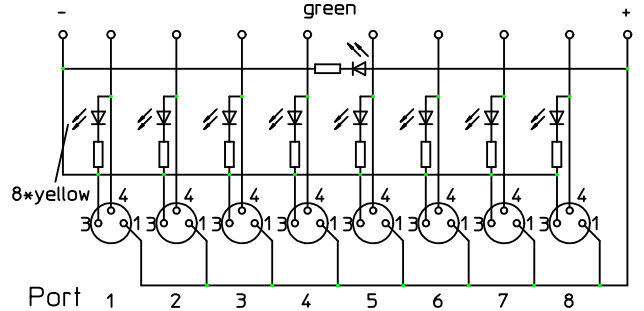
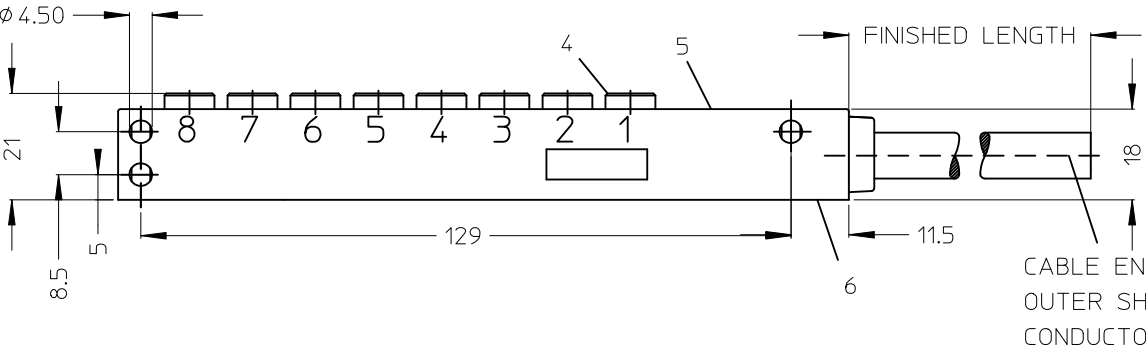
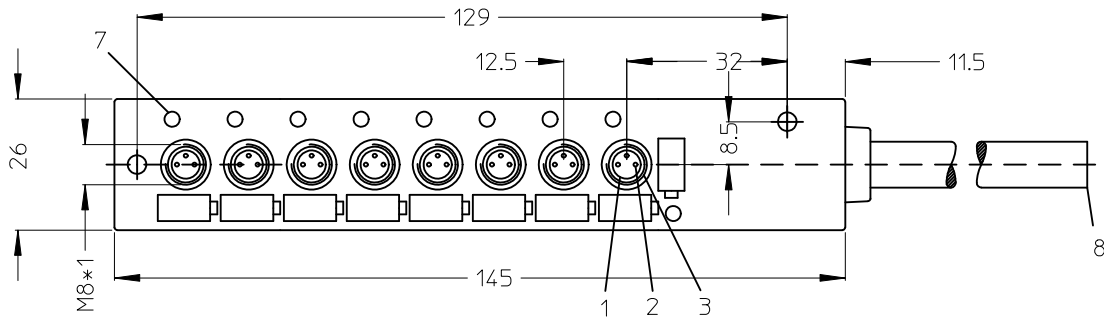


SAP-NUMBER	OLD PART NUMBER	FINISHED LENGTH
1201130014	BEY801P-FBP-05	5000
1201130015	BEY801P-FBP-10	10000



Contact configuration	wire colour		wire mm ²	Port	M8 connector Contact-No.
	brown (+)		0.75	1-8	1
	blue (-)		0.75	1-8	3
	white		0.34	1	4
	green		0.34	2	4
	yellow		0.34	3	4
	grey		0.34	4	4
	pink		0.34	5	4
	red		0.34	6	4
black		0.34	7	4	
violet		0.34	8	4	

CLOSURE CAP

SAP no. 1203080677
Quantity 2

VOLTAGE RATING	10 - 30 VDC
AMPERAGE RATING PER PORT	2 A MAX/PORT 6 A MAX. TOTAL
PROTECTION	IP 67
OPERATING TEMPERATURE	-25°C / +90 °C

ITEM	COMPONENT	MATERIAL	FINISH
1	INSERT	PUR	BLACK
2	CONTAC SOCKET	BRASS	GOLD OVER NICKEL
3	O-RING	VITON	---
4	RECEPTACLE SHELL	BRASS	NICKEL PLATED
5	HOUSING	PBT	YELLOW
6	LABEL	ABS	WHITE
7	LENS	PA	CLEAR
8	CABLE	PUR	---

NEW RELEASE
EC NO: WEU2010-0248
DRWN:SBH 2010/01/08
CHKD:APOHL WEU 2010/01/08
APPR:NSTAUDIGEL 2010/01/29

DESCRIPTION

QUALITY SYMBOLS

▽=0
◻=0

	GENERAL TOLERANCES (UNLESS SPECIFIED)	
	mm	INCH
4 PLACES	± ---	± ---
3 PLACES	± ---	± ---
2 PLACES	± ---	± ---
1 PLACE	± 0.3	± ---
ANGULAR ± ---°		

DRAFT WHERE APPLICABLE MUST REMAIN WITHIN DIMENSIONS

DIMENSION STYLE	
MM ONLY	
DRAWN BY	DATE
SBH	2010/01/08
CHECKED BY	DATE
APOHL WEU	2010/01/08
APPROVED BY	DATE
NSTAUDIGEL	2010/01/29
MATERIAL NO.	
SEE TABLE	
SIZE	
A3	

SCALE

DESIGN UNITS

METRIC

THIRD ANGLE PROJECTION

TITLE

**M8-MPIS 8 PORT CABLE
3 POL STRAIGHT OUTLINE**

molex MOLEX INCORPORATED

DOCUMENT NO. SD-120113-016 SHEET NO. 1 OF 1

THIS DRAWING CONTAINS INFORMATION THAT IS PROPRIETARY TO MOLEX INCORPORATED AND SHOULD NOT BE USED WITHOUT WRITTEN PERMISSION