

4

3

2

1

This drawing involves proprietary design rights of Tyco Electronics Corporation, and all design, manufacture, reproduction, use and sale rights regarding the same are expressly reserved. It is submitted for a specific purpose and the recipient by accepting this drawing, assumes custody and control and agrees to take reasonable precautions; (a) that this drawing will not be copied and reproduced, in whole or in part, or its contents revealed in any manner, or to any person except to meet the purpose for which it was delivered and (b) that any special features peculiar to this design will not be incorporated in other projects without the expressed written permission of Tyco Electronics Corporation.

REVISIONS			
EC	REV	DESCRIPTION	DATE
-	A1	ADD -3	12/01/22

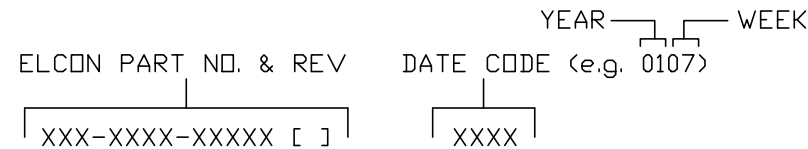
8. PART NUMBER INFORMATION

CONNECTOR	TYCO PART NUMBER	ELCON PART NUMBER	TERMINATION TYPE	PC TAIL LENGTH DIM "A"	RECOMMENDED MOUNTING BOARD	MATING BOARD
SOCKET	6650380-1	287-0032-12101	SOLDER TAIL (SHORT)	3.56 [ .140 ] 2.54 [ .100 ]	1.6 [ .062 ] THICK	1.6 [ .062 ] THICK
SOCKET	6650380-2	287-0032-12301	SOLDER TAIL (STANDARD)	5.08 [ .200 ] 4.06 [ .160 ]	3.2 [ .125 ] OR THINNER	1.6 [ .062 ] THICK
SOCKET	6650380-3	-	SOLDER TAIL (SHORT)	2.0±0.5	-	1.6 [ .062 ] THICK

NOTES: UNLESS OTHERWISE SPECIFIED;

- PART NUMBER CHANGES AND OR DESIGN CHANGES AFFECTING ITEM INTERCHANGEABILITY REQUIRE PRIOR ELCON APPROVAL AND AUTHORIZATION BY REVISION TO THIS DRAWING.
- MATERIALS:  
INSULATORS: THERMOPLASTIC, GLASS REINFORCED, COLOR-BLACK, UL94V-0 FLAMMABILITY RATED.  
CONTACTS: PHOSPHOR-BRONZE ALLOY.
- FINISHES:  
CONTACTS: SELECTIVE GOLD PLATED PER MIL-G-45204 TYPE II, GRADE C, CLASS 0. 000030" MIN. THK, OVER NICKEL PER QQ-N-290, CLASS 2, .000040" MIN. THICKNESS.  
TERMINALS: TIN PLATED, MATTE FINISH, .000120" TO .000170" THICK.

- 4 SOCKETS ACCEPT 1.6 [ .062 ] ± 10% THK PC BOARD.
- 5 EXAMPLE PCB CONFIGURATION SHOWING SEQUENCING.
- 6 THIS 2 X 2 SEGMENT CONFIGURATION SHOWN IS FOR REFERENCE ONLY. COMBINATION OF MULTIPLE NUMBERS OF 2 AND 3 SEGMENT MODULES COULD BE USED PER USER PREFERENCE. OVERALL COMBINATION SHOULD NOT EXCEED 8" IN LENGTH.
- 7 ITEMS PROVIDED TO THIS SPECIFICATION TO BE PERMANENTLY IDENTIFIED PER THE FOLLOWING IDENTIFIER:



<p>THIRD ANGLE PROJECTION</p> <p>UNLESS OTHERWISE SPECIFIED DIMENSIONS ARE IN METRIC [INCHES]</p> <p>TOLERANCES</p> <p>ANGLES ± .5°</p> <p>DECIMALS</p> <p>.XX ± .25 [.010]</p> <p>.X ± .5 [.020]</p>	<p>DRAWN</p> <p>R. F. A.</p>	<p>DATE</p> <p>11/04/04</p>	<p><b>tyco</b> Tyco Electronics Corporation <b>Electronics</b> Menlo Park, Ca 94025</p> <p><b>ELCON</b></p> <p>TITLE</p> <p>SOCKET CONNECTOR, CROWN EDGE 4 POSN POWER, STRAIGHT, SOLDER PN: 287-0032-12101/287-0032-12301</p>
	CHECKED		
	APPROVED		
	APPROVED		
	<p>D. CHAU</p> <p>11/04/04</p>	<p>SIZE</p> <p>B</p>	<p>DWG NUMBER</p> <p>C = 6650380</p>
	<p>DCA APPROVED</p> <p>11/08/04</p>		<p>REV.</p> <p>A2</p>
	<p>ACAD FILE NUMBER C6650380A.DWG</p>		<p>DWG SCALE 2=1 SH 1 OF 6</p>

4

3

2

1

4

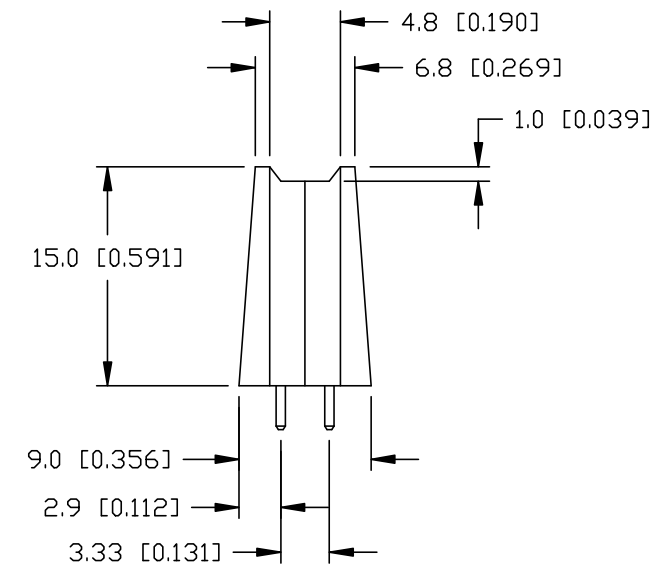
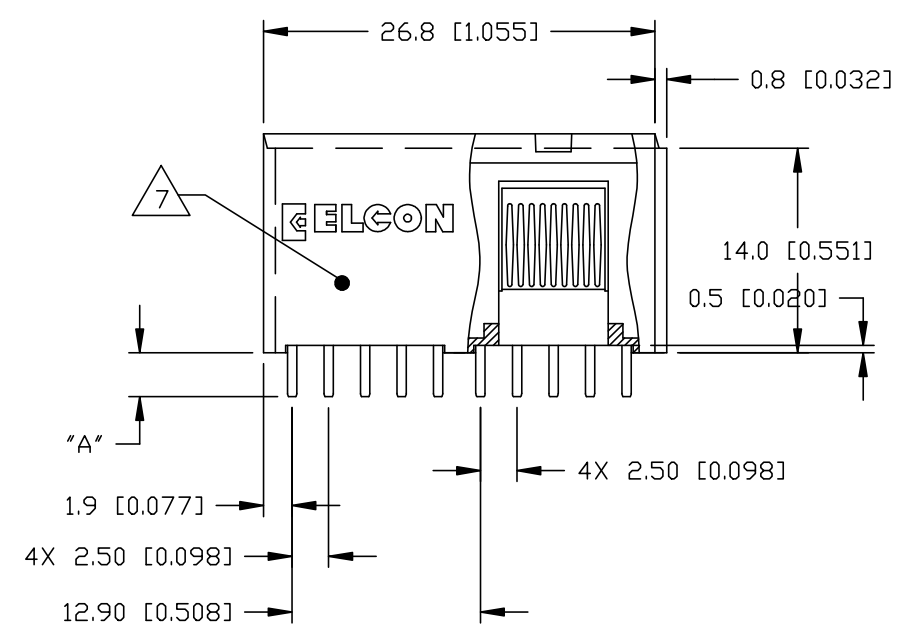
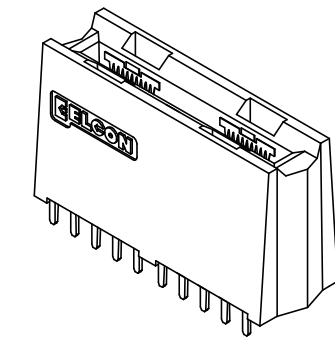
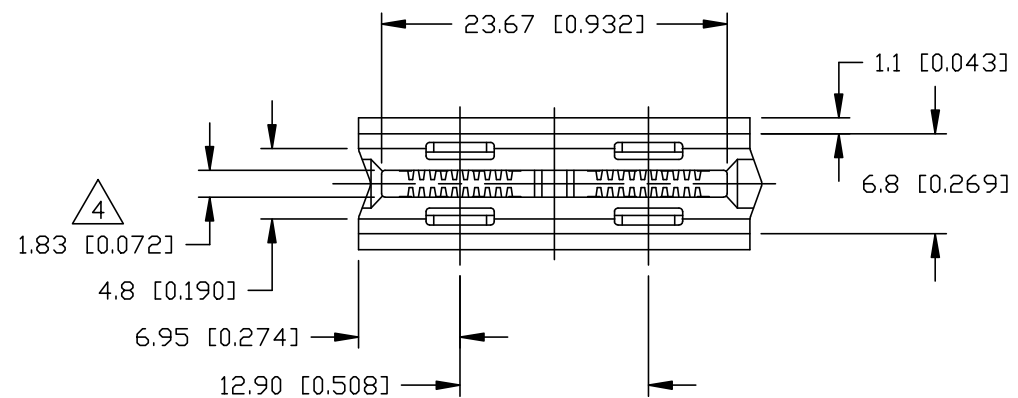
3

2

1

This drawing involves proprietary design rights of Tyco Electronics Corporation, and all design, manufacture, reproduction, use and sale rights regarding the same are expressly reserved. It is submitted for a specific purpose and the recipient by accepting this drawing, assumes custody and control and agrees to take reasonable precautions; (a) that this drawing will not be copied and reproduced, in whole or in part, or its contents revealed in any manner, or to any person except to meet the purpose for which it was delivered and (b) that any special features peculiar to this design will not be incorporated in other projects without the expressed written permission of Tyco Electronics Corporation.

REVISIONS			
EC	REV	DESCRIPTION	DATE
		SEE SHEET 1	



B

B

A

A

<p>THIRD ANGLE PROJECTION</p> <p>UNLESS OTHERWISE SPECIFIED DIMENSIONS ARE IN METRIC [INCHES]</p> <p>TOLERANCES</p> <p>ANGLES ± .5°</p> <p>DECIMALS</p> <p>.XX ± .25 [.010]</p> <p>.X ± .5 [.020]</p>	DRAWN	DATE	Tyco Electronics Corporation Menlo Park, Ca 94025	
	R. F. A.	11/04/04		
	CHECKED		TITLE	
	APPROVED		SOCKET CONNECTOR, CROWN EDGE 4 POSN POWER, STRAIGHT, SOLDER PN: 287-0032-12101	
APPROVED		SIZE	DWG NUMBER	REV.
D. CHAU	11/04/04	B	C = 6650380	A2
DCA APPROVED				
M. ALIM	11/08/04			
ACAD FILE NUMBER	C6650380A.DWG		DWG SCALE	2=1 SH 2 OF 6

4

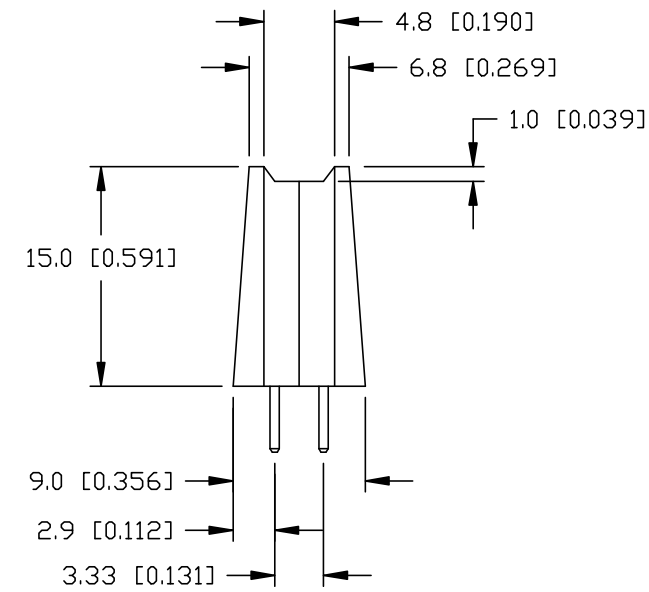
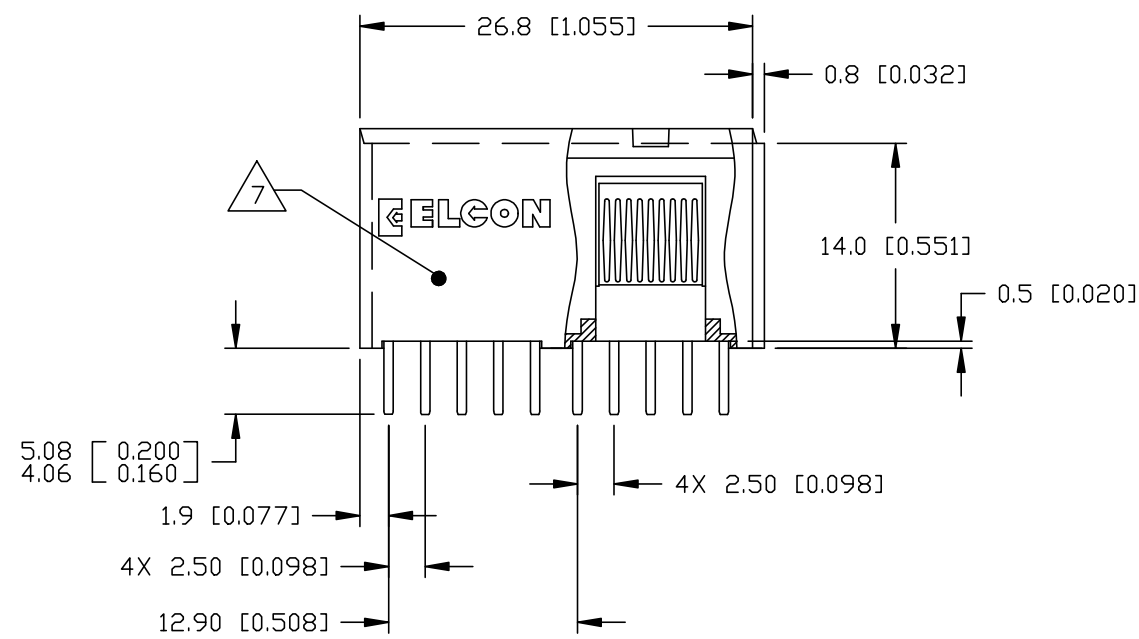
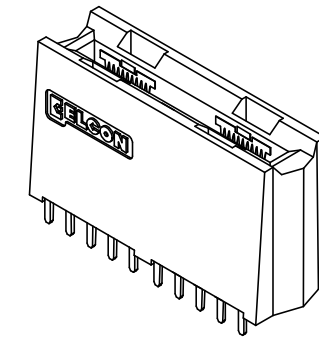
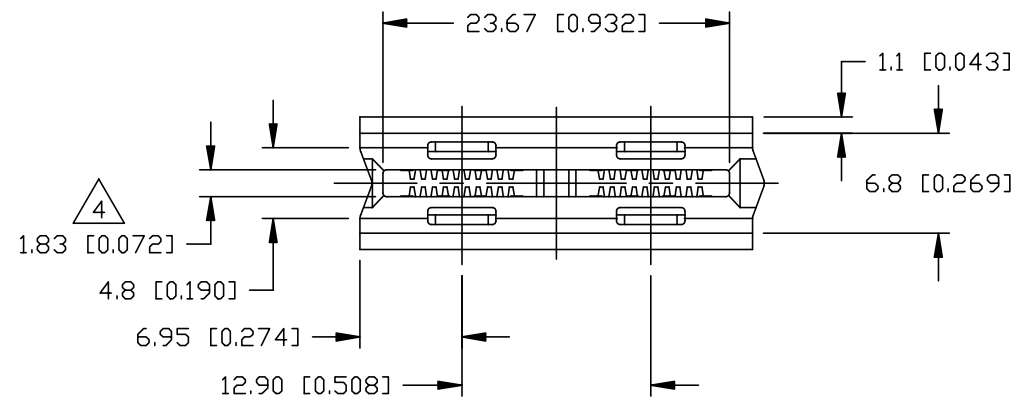
3

2

1

This drawing involves proprietary design rights of Tyco Electronics Corporation, and all design, manufacture, reproduction, use and sale rights regarding the same are expressly reserved. It is submitted for a specific purpose and the recipient by accepting this drawing, assumes custody and control and agrees to take reasonable precautions; (a) that this drawing will not be copied and reproduced, in whole or in part, or its contents revealed in any manner, or to any person except to meet the purpose for which it was delivered and (b) that any special features peculiar to this design will not be incorporated in other projects without the expressed written permission of Tyco Electronics Corporation.

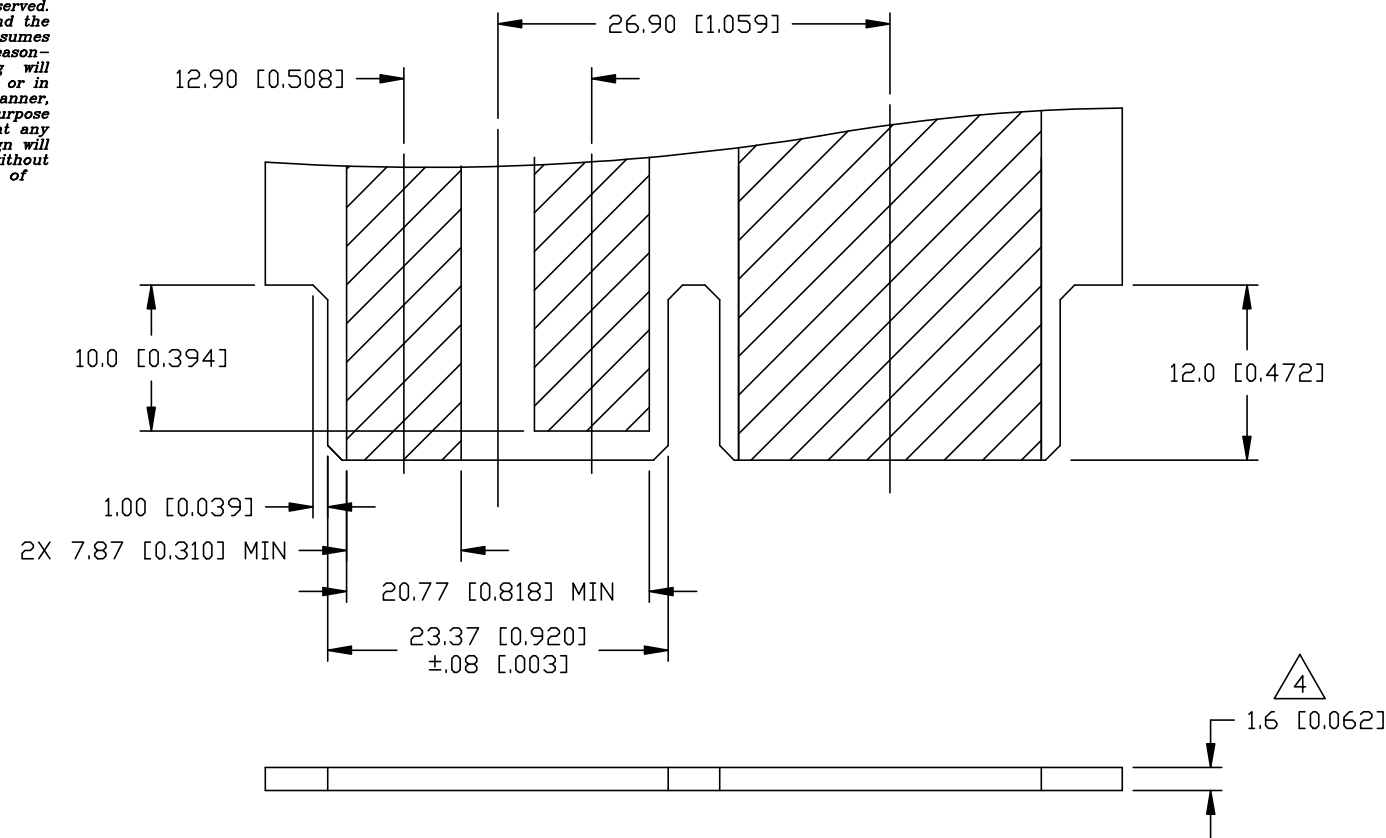
REVISIONS			
EC	REV	DESCRIPTION	DATE
		SEE SHEET 1	



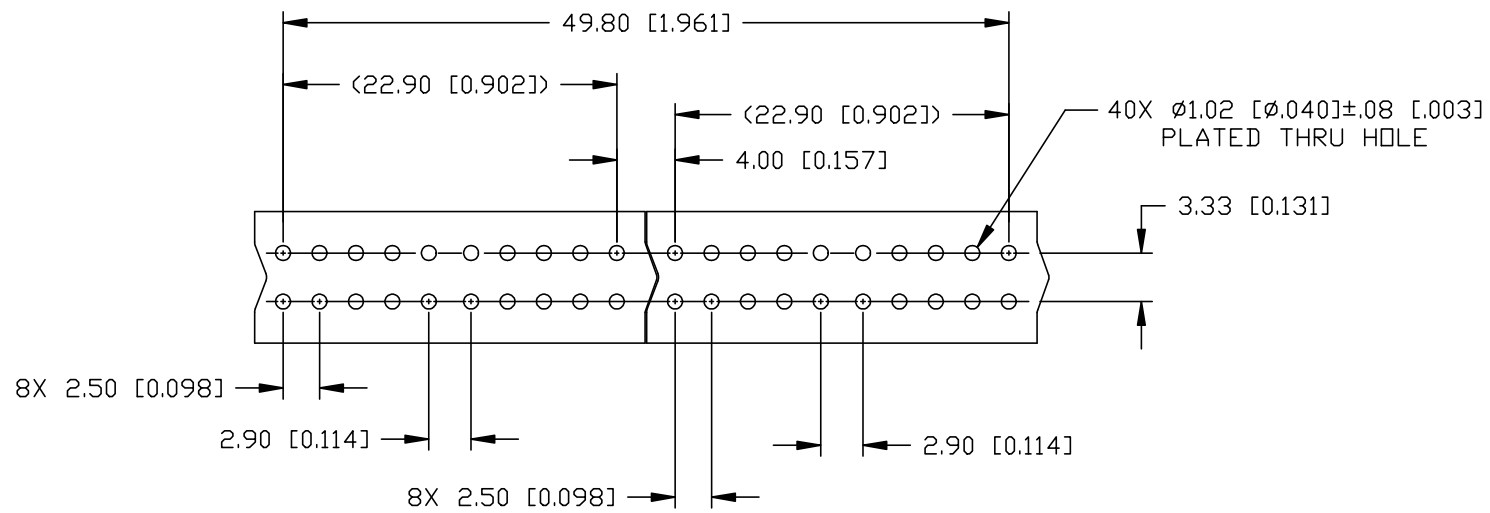
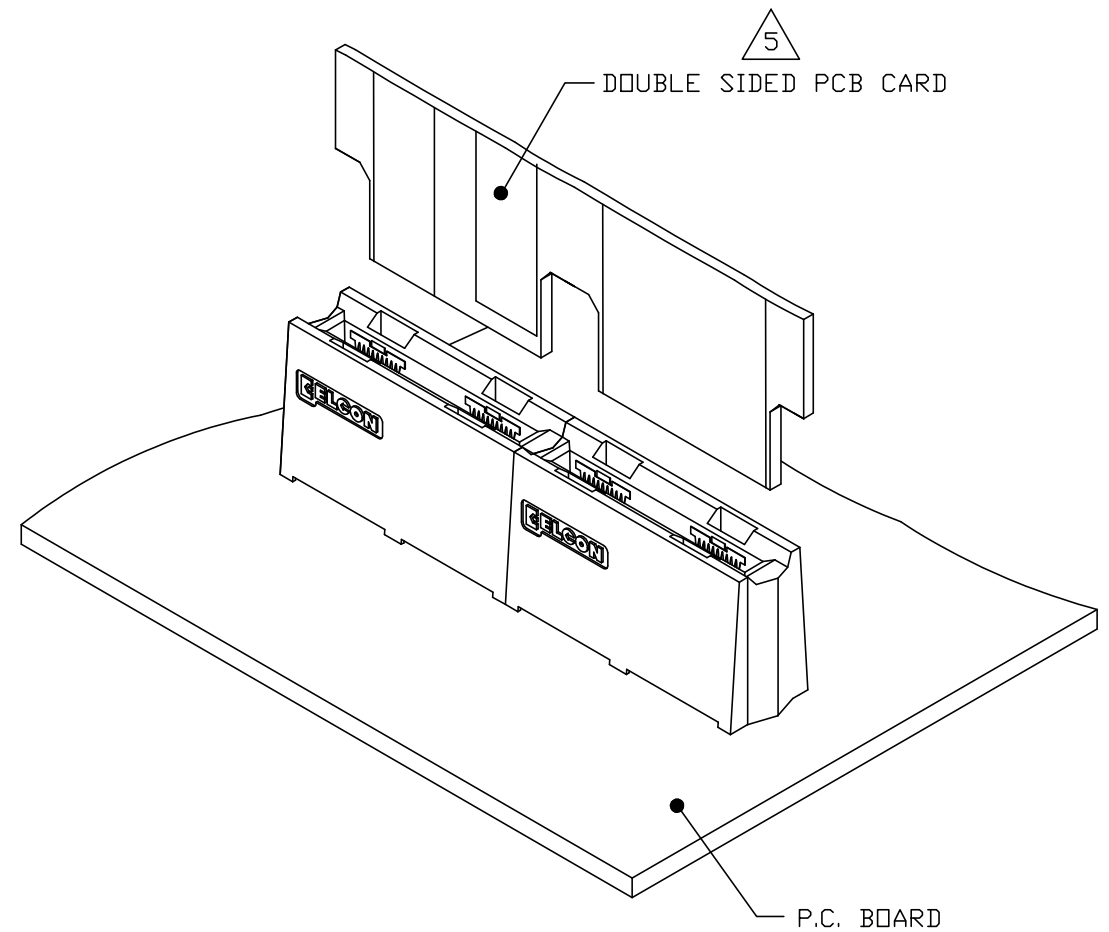
<p>THIRD ANGLE PROJECTION</p> <p>UNLESS OTHERWISE SPECIFIED DIMENSIONS ARE IN METRIC [INCHES]</p> <p>TOLERANCES</p> <p>ANGLES ± .5°</p> <p>DECIMALS</p> <p>.XX ± .25 [.010]</p> <p>.X ± .5 [.020]</p>	<p>DRAWN</p> <p>R. F. A.</p>	<p>DATE</p> <p>11/04/04</p>	<p><b>tyco</b> Tyco Electronics Corporation Menlo Park, Ca 94025</p> <p><b>ELCON</b></p>	
	<p>CHECKED</p>			<p>TITLE</p> <p>SOCKET CONNECTOR, CROWN EDGE 4 POSN POWER, STRAIGHT, SOLDER PN: 287-0032-12301</p>
	<p>APPROVED</p>			<p>SIZE DWG NUMBER</p> <p>B C = 6650380</p>
	<p>APPROVED</p> <p>D. CHAU</p> <p>DCA APPROVED</p> <p>M. ALIM</p>	<p>11/04/04</p> <p>11/08/04</p>	<p>REV.</p> <p>A2</p>	
<p>ACAD FILE NUMBER C6650380A.DWG</p>		<p>DWG SCALE 2=1</p>	<p>SH 3 OF 6</p>	

This drawing involves proprietary design rights of Tyco Electronics Corporation, and all design, manufacture, reproduction, use and sale rights regarding the same are expressly reserved. It is submitted for a specific purpose and the recipient by accepting this drawing, assumes custody and control and agrees to take reasonable precautions; (a) that this drawing will not be copied and reproduced, in whole or in part, or its contents revealed in any manner, or to any person except to meet the purpose for which it was delivered and (b) that any special features peculiar to this design will not be incorporated in other projects without the expressed written permission of Tyco Electronics Corporation.

REVISIONS			
EC	REV	DESCRIPTION	DATE
		SEE SHEET 1	



△ 4 DOUBLE SIDED P.C.B. CARD

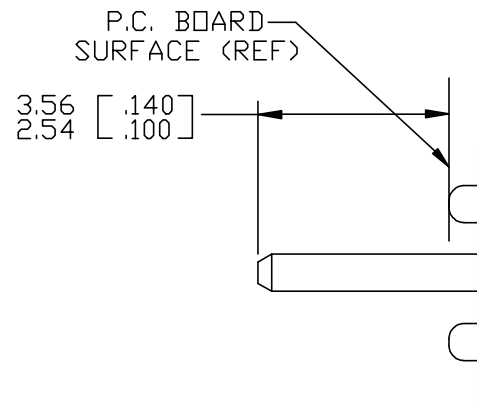


△ 6 RECOMMENDED P.C. BOARD LAYOUT

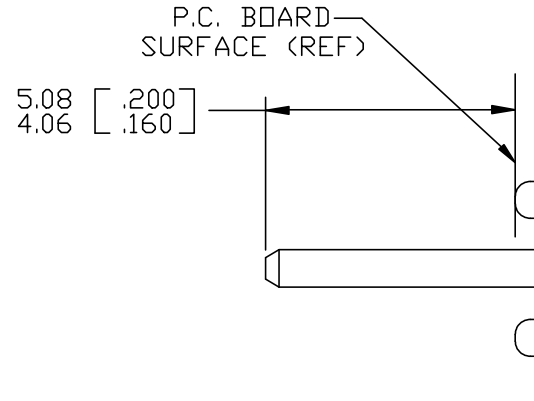
← MM → OR MM [INCH]  THIRD ANGLE PROJECTION UNLESS OTHERWISE SPECIFIED DIMENSIONS ARE IN METRIC [INCHES] TOLERANCES ANGLES ± .5° DECIMALS .XX ± .25 [.010] .X ± .5 [.020]	DRAWN R. F. A.	DATE 11/04/04	Tyco Electronics Corporation Menlo Park, Ca 94025	
	CHECKED		TITLE RECOMMENDED PCB LAYOUT	
	APPROVED		PN: 287-0032-12101 PN: 287-0032-12301	
	APPROVED D. CHAU	11/04/04	SIZE B	DWG NUMBER C = 6650380
M. ALIM		11/08/04		
ACAD FILE NUMBER		C6650380A.DWG		DWG SCALE 2=1 SH 4 OF 6

This drawing involves proprietary design rights of Tyco Electronics Corporation, and all design, manufacture, reproduction, use and sale rights regarding the same are expressly reserved. It is submitted for a specific purpose and the recipient by accepting this drawing, assumes custody and control and agrees to take reasonable precautions; (a) that this drawing will not be copied and reproduced, in whole or in part, or its contents revealed in any manner, or to any person except to meet the purpose for which it was delivered and (b) that any special features peculiar to this design will not be incorporated in other projects without the expressed written permission of Tyco Electronics Corporation.

REVISIONS			
EC	REV	DESCRIPTION	DATE
		SEE SHEET 1	



SOLDER PIN DETAIL



SOLDER PIN DETAIL

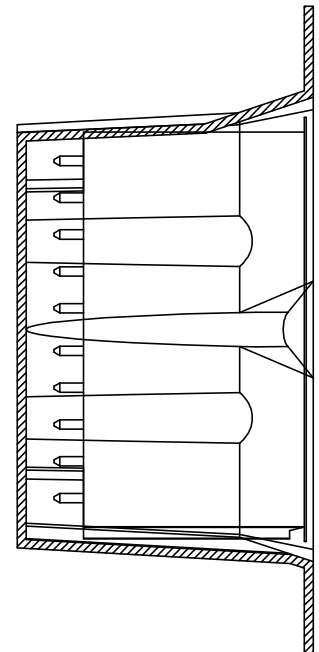
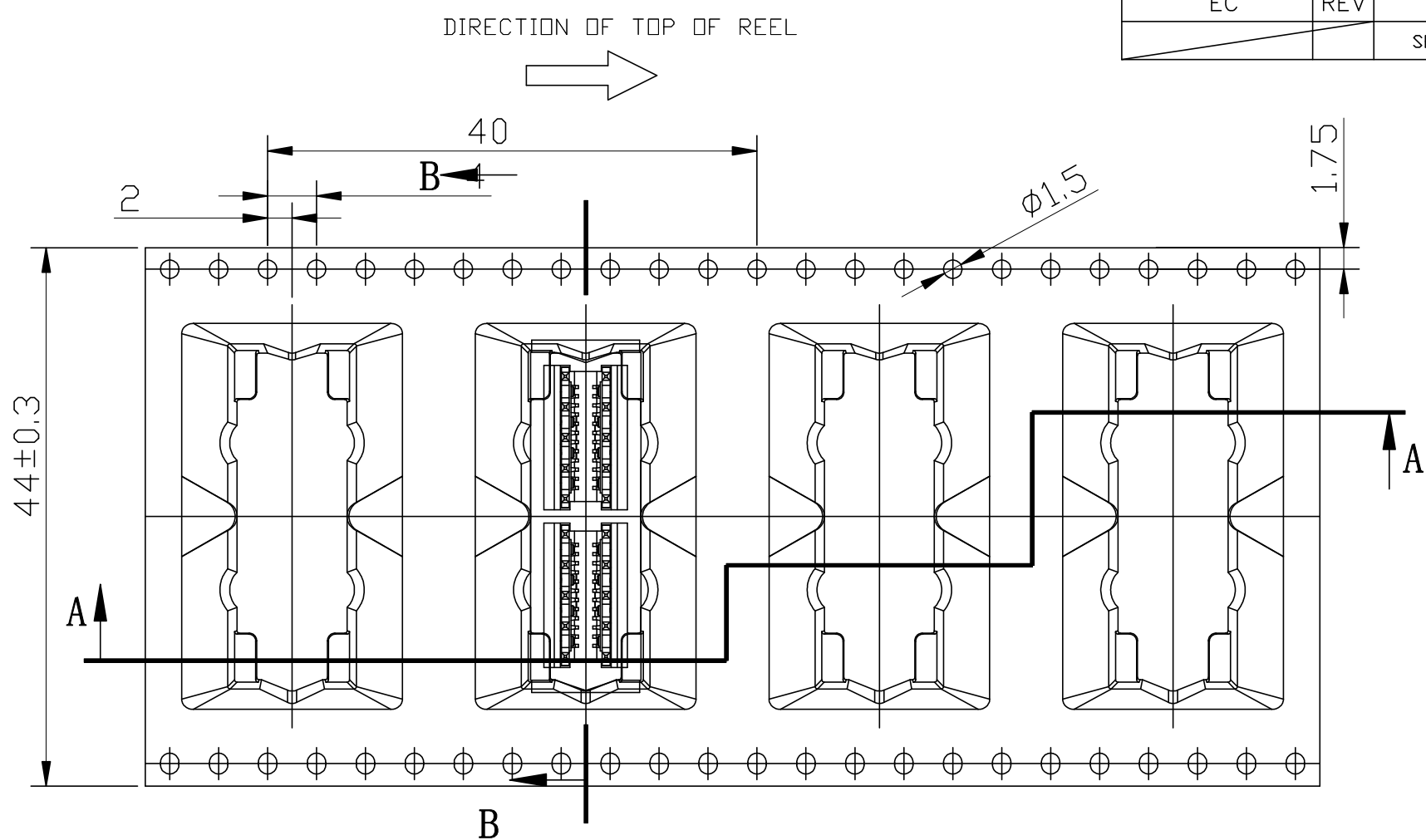
RECOMMENDED PRINTED CIRCUIT HOLE

FINISHED HOLE:  $\phi 1.02$  [.040]  $\pm 0.08$  [.003]  
 DRILLED HOLE:  $\phi 1.15$  [.0453]  $\pm 0.013$  [.0005]  
 COPPER PLATE: .025 [.0010] MINIMUM (PER SURFACE)  
 TIN PLATE: .008 [.0003] MINIMUM (PER SURFACE)

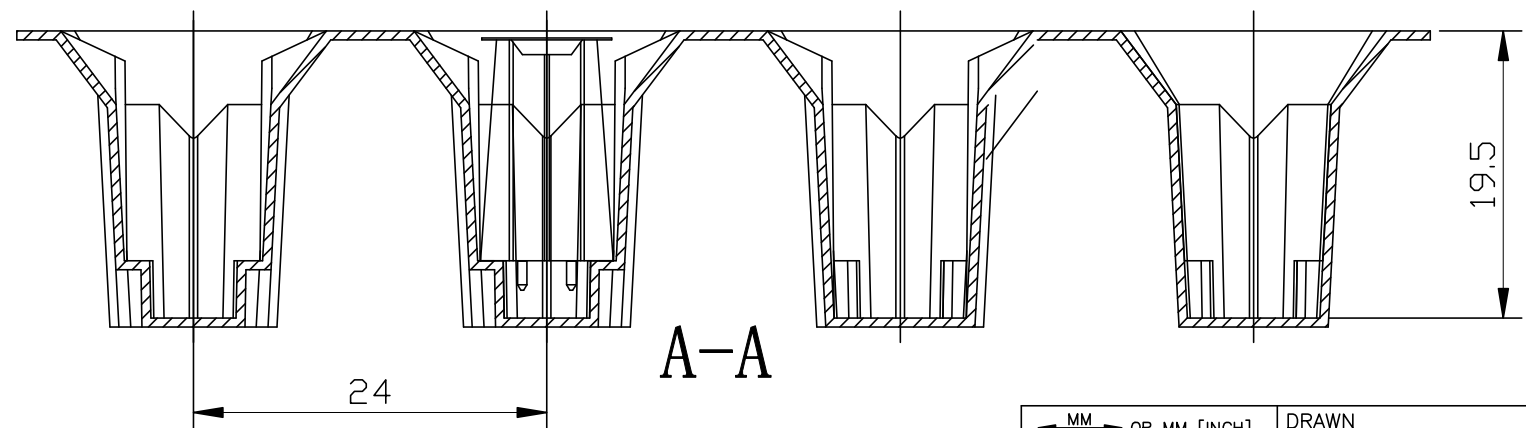
← MM → OR MM [INCH]  THIRD ANGLE PROJECTION UNLESS OTHERWISE SPECIFIED DIMENSIONS ARE IN METRIC [INCHES] TOLERANCES ANGLES $\pm .5^\circ$ DECIMALS .XX $\pm .25$ [.010] .X $\pm .5$ [.020]	DRAWN	DATE	Tyco Electronics Corporation Menlo Park, Ca 94025	
	R. F. A.	11/04/04	TITLE SOCKET CONNECTOR, CROWN EDGE USER INFORMATION SOLDER TAIL TERMINATION	
	CHECKED			
	APPROVED		SIZE	DWG NUMBER
D. CHAU	11/04/04	B	C = 6650380	A2
M. ALIM	11/08/04	ACAD FILE NUMBER C6650380A.DWG		DWG SCALE 2=1 SH 5 OF 6

This drawing involves proprietary design rights of Tyco Electronics Corporation, and all design, manufacture, reproduction, use and sale rights regarding the same are expressly reserved. It is submitted for a specific purpose and the recipient by accepting this drawing, assumes custody and control and agrees to take reasonable precautions: (a) that this drawing will not be copied and reproduced, in whole or in part, or its contents revealed in any manner, or to any person except to meet the purpose for which it was delivered and (b) that any special features peculiar to this design will not be incorporated in other projects without the expressed written permission of Tyco Electronics Corporation.

REVISIONS		DESCRIPTION	DATE
EC	REV	SEE SHEET 1	



B-B



A-A

PACKAGE FOR 6650380-3

← MM OR MM [INCH] INCH  THIRD ANGLE PROJECTION UNLESS OTHERWISE SPECIFIED DIMENSIONS ARE IN METRIC [INCHES] TOLERANCES ANGLES ± .5° DECIMALS .XX ± .25 [.010] .X ± .5 [.020]	DRAWN	DATE	Tyco Electronics Corporation Menlo Park, Ca 94025	TITLE SOCKET CONNECTOR, CROWN EDGE 4 POSN POWER, STRAIGHT, SOLDER PN: 287-0032-12301
	R. F. A.	11/04/04		
	CHECKED		SIZE	DWG NUMBER
	APPROVED		B	C = 6650380
	D. CHAU	11/04/04		
	DCA APPROVED			
	M. ALIM	11/08/04		
	ACAD FILE NUMBER	C6650380A.DWG		
			DWG SCALE	2=1 SH 6 OF 6