

THIS DRAWING IS UNPUBLISHED.

RELEASED FOR PUBLICATION

,19

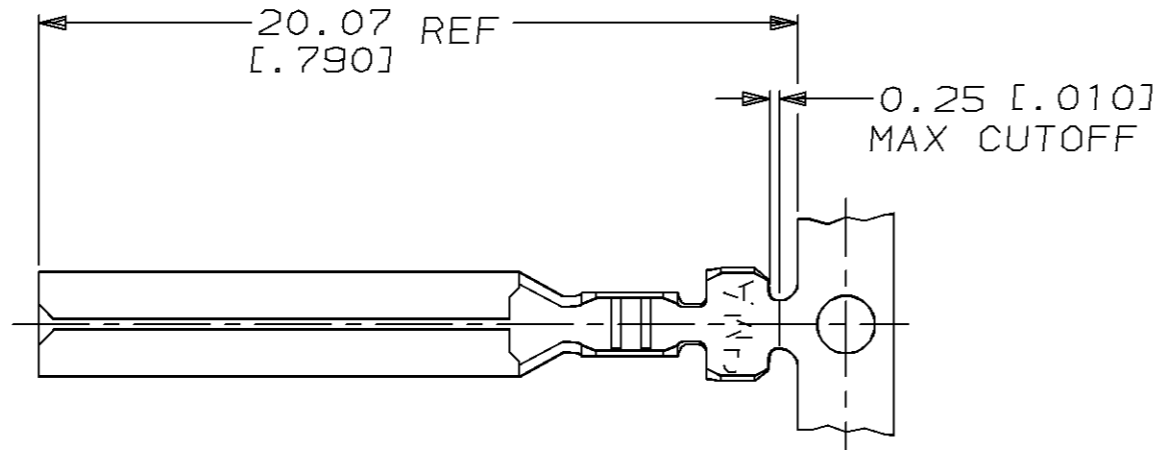
© COPYRIGHT 19

BY AMP INCORPORATED. ALL RIGHTS RESERVED.

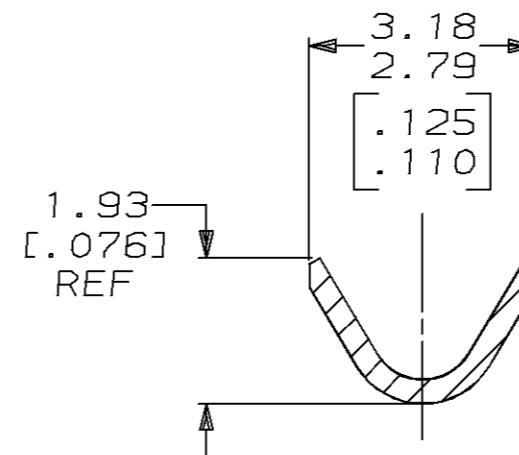
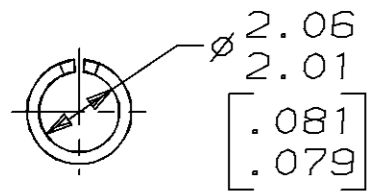
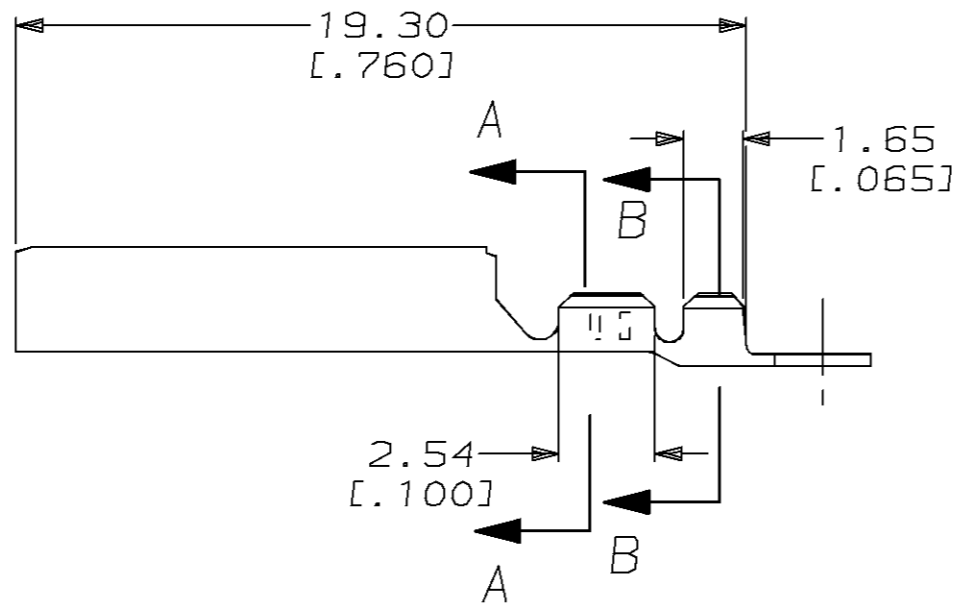
LOC DIST
CM 53

REVISIONS

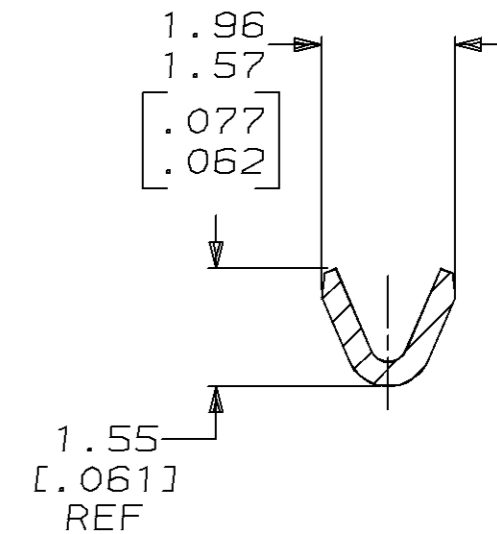
P	LTR	DESCRIPTION	DATE	DWN	APVD
A		REV PER EC 0L30-0020-96	8-1-96	JH	RS



1. DIMENSIONS IN BRACKETS ARE IN INCHES.
2. WIRE RANGE: 0.5 - 0.15 MM SQ (30 -26 AWG)
3. INSULATION RANGE: 0.81 - 1.45 (.032 -.057) DIA



SECTION B-B
SCALE 10:1



SECTION A-A
SCALE 10:1

TIN	0.30 (.012) BRASS	794042-1
FINISH	MATERIAL	PART NUMBER

<small>THIS DRAWING IS A CONTROLLED DOCUMENT FOR AMP INCORPORATED. IT IS SUBJECT TO CHANGE AND THE CONTROLLING ENGINEERING ORGANIZATION SHOULD BE CONTACTED FOR THE LATEST REVISION.</small>		DWN L. SMITH 4-18-94	AMP AMP Incorporated Harrisburg, PA 17105-3608
DIMENSIONS: mm [INCHES]		CHK R. SWING 4-18-94	
TOLERANCES UNLESS OTHERWISE SPECIFIED: 0 PLC ±- 1 PLC ±- 2 PLC ±- 3 PLC ±.005 4 PLC ±- ANGLES ±0°30' FINISH TIN		APVD D. SELF 4-21-94	NAME SOCKET, UNIVERSAL MATE-N-LOK
MATERIAL BRASS		PRODUCT SPEC -	SIZE A3
		APPLICATION SPEC -	CAGE CODE 00779
		WEIGHT -	DRAWING NO C=794042
		CUSTOMER DRAWING	SCALE 5:1
			SHEET 1 OF 1
			REV A

METRIC