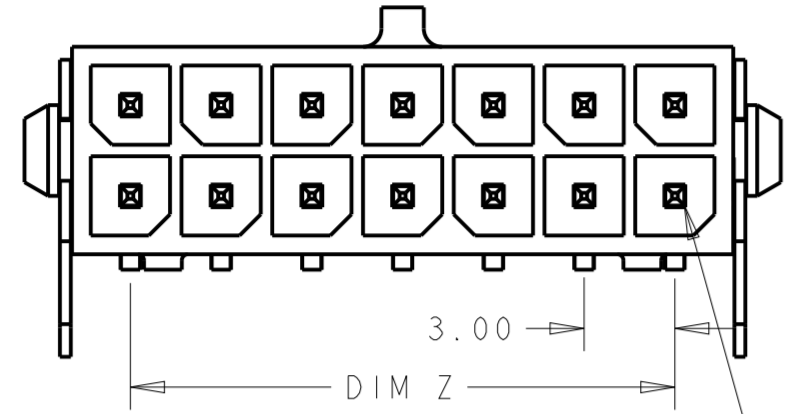
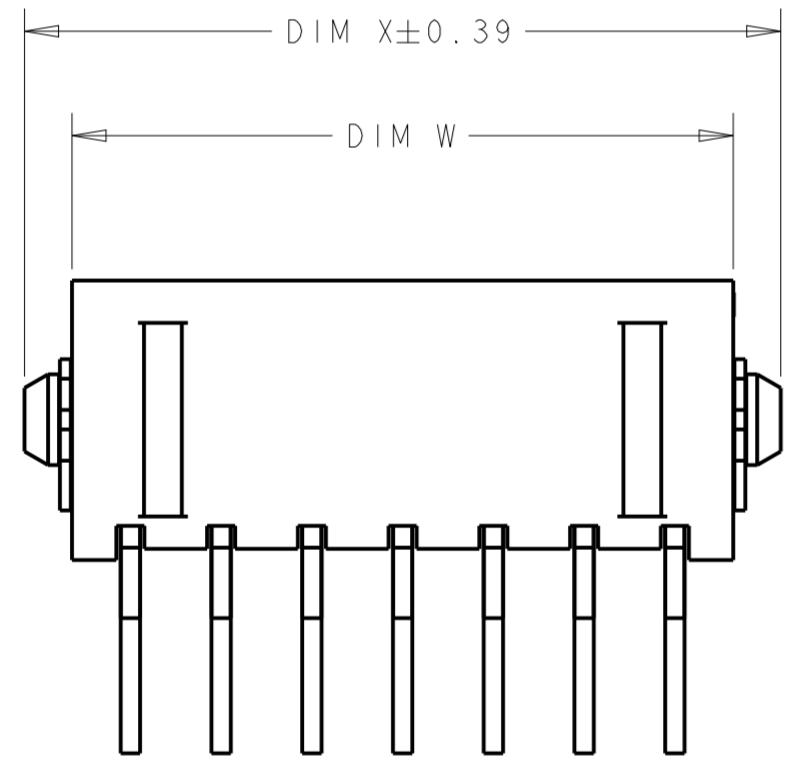
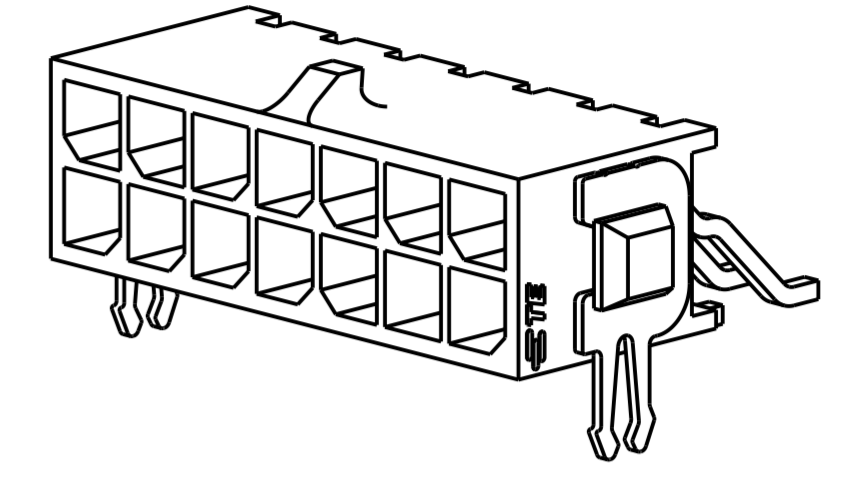
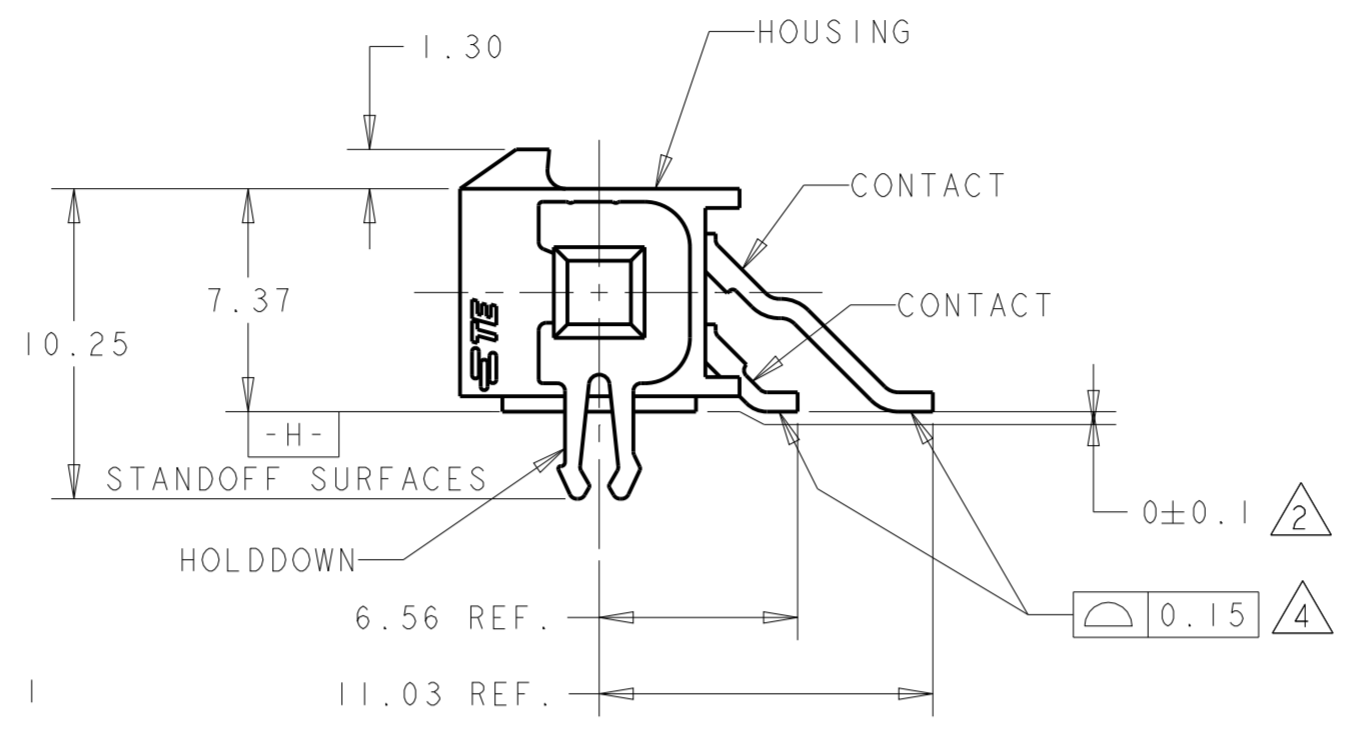


THIS DRAWING IS UNPUBLISHED. RELEASED FOR PUBLICATION 20  
 © COPYRIGHT 2021 TE Connectivity. All Rights Reserved. ALL RIGHTS RESERVED.

| REVISIONS |     |                           |           |     |      |
|-----------|-----|---------------------------|-----------|-----|------|
| P         | LTR | DESCRIPTION               | DATE      | DWN | APVD |
| G1        |     | REVISED PER ECR-16-011506 | 27JUN2017 | NK  | CX   |
| G2        |     | ECO-19-006502             | 29APR2019 | AP  | WS   |
| G3        |     | REVISED PER ECO-20-009852 | 14JUL2020 | WLS | DZ   |
| G4        |     | REVISED PER ECN-21-100661 | 17MAR2021 | WLS | VS   |



CIRCUIT NUMBER 1



- 1 MATERIAL;  
HOUSING - UL 94V-0 RATED HIGH TEMP NYLON, COLOR BLACK.  
CONTACTS - BRASS.  
HOLDDOWNS - PHOSPHOR BRONZE.
- 2 DIMENSION APPLIES TO SOLDERTAIL SURFACES AND STANDOFF SURFACES.
- 3 RECOMMENDED PC BOARD THICKNESS OF 1.57.
- 4 ALL SOLDERTAILS.
- 5 PLATING;  
CONTACTS - 0.38µm MINIMUM GOLD ON MATING AREA.  
2.54µm MINIMUM MATTE TIN ON SOLDER TAILS.  
ALL OVER 1.27µm MINIMUM NICKEL.  
HOLDDOWNS - 2.54µm MINIMUM MATTE TIN OVER 1.27µm MINIMUM NICKEL.
- 6 COUNTERPART RECOMMENDED IS PN 794617 (DASH ACCORDING TO NUMBER OF POSITION).
- 7 FOR REELING DIRECTION AND PACKAGING TYPE, SEE SPECIFICATION 114-13000.

|       |       |       |       |              |             |
|-------|-------|-------|-------|--------------|-------------|
| 36.86 | 37.30 | 33.00 | 40.00 | 24           | 5-794625-4  |
| 33.86 | 34.30 | 30.00 | 37.00 | 22           | 5-794625-2  |
| 30.86 | 31.30 | 27.00 | 34.00 | 20           | 5-794625-0  |
| 27.86 | 28.30 | 24.00 | 31.00 | 18           | 4-794625-8  |
| 24.86 | 25.30 | 21.00 | 28.00 | 16           | 4-794625-6  |
| 21.86 | 22.30 | 18.00 | 25.00 | 14           | 4-794625-4  |
| 18.86 | 19.30 | 15.00 | 22.00 | 12           | 4-794625-2  |
| 15.86 | 16.30 | 12.00 | 19.00 | 10           | 4-794625-0  |
| 12.86 | 13.30 | 9.00  | 16.00 | 8            | 3-794625-8  |
| 9.86  | 10.30 | 6.00  | 13.00 | 6            | 3-794625-6  |
| 6.86  | 7.30  | 3.00  | 10.00 | 4            | 3-794625-4  |
| 3.86  | 4.30  | -     | 7.00  | 2            | 3-794625-2  |
| DIM W | DIM Y | DIM Z | DIM X | NO. OF POSN. | PART NUMBER |

|   |  |                                 |  |                               |                         |
|---|--|---------------------------------|--|-------------------------------|-------------------------|
| THIS DRAWING IS A CONTROLLED DOCUMENT.  |  | DWN<br>K. WHITAKER<br>18MAR2021 | TE Connectivity  |                               |                         |
| DIMENSIONS:<br>mm   |  | CHK<br>C. JONES<br>19MAR2003    |  |                               |                         |
| TOLERANCES UNLESS OTHERWISE SPECIFIED:  |  | APVD<br>C. JONES<br>19MAR2003   | NAME<br>-<br>HOLDDON, ASSEMBLY, 15 GOLD HEADER,<br>DUAL ROW, MICRO MATE-N-LOK™ |                               |                         |
| 0 PLC ±<br>1 PLC ±<br>2 PLC ±0.13<br>3 PLC ±<br>4 PLC ±<br>ANGLES ±1°<br>FINISH |  | PRODUCT SPEC<br>108-1836        | SIZE<br>A2   | CAGE CODE<br>0779             | DRAWING NO.<br>G-794625 |
| MATERIAL<br>1   |  | APPLIC. SPEC<br>114-13000       | RESTRICTED TO<br>-   | SCALE 4:1 SHEET 1 OF 2 REV G4 |                         |
| 5   |  | WEIGHT<br>-                     | CUSTOMER DRAWING; RESTRICTED CUSTOMER  |                               |                         |

4

3

2

1

THIS DRAWING IS UNPUBLISHED. RELEASED FOR PUBLICATION 20  
 © COPYRIGHT 2021 TE Connectivity. All Rights Reserved. ALL RIGHTS RESERVED.

| REVISIONS |     |             |      |      |
|-----------|-----|-------------|------|------|
| P         | LTR | DESCRIPTION | DATE | APVD |
| -         | -   | SEE SHEET 1 | -    | -    |
|           |     |             |      |      |
|           |     |             |      |      |

2 POS. 4 POS. 6 POS. 8 POS. 10 POS. 12 POS. 14 POS. 16 POS. 18 POS. 20 POS. 22 POS. 24 POS.

DIM Z  
 3 (0.635)  
 2.15  
 1.27±0.01 TYP  
 10.10  
 5.48  
 5.65 MIN  
 2.920  
 Ø2.41±0.01  
 DIM Y  
 2.2 MIN  
 RECOMMENDED PCB LAYOUT (COMPONENT SIDE) ③

KEYING BY POSITION SIZE

|  |  |                              |   |  |
|--|--|------------------------------|---|--|
| THIS DRAWING IS A CONTROLLED DOCUMENT. |  | DWN 18MAR2021<br>K. WHITAKER | TE Connectivity   |  |
| DIMENSIONS: mm                         |  | CHK 19MAR2003<br>C. JONES    |   |  |
| TOLERANCES UNLESS OTHERWISE SPECIFIED: |  | APVD 19MAR2003<br>C. JONES   | NAME -  |  |
| 0 PLC ±                                |  | PRODUCT SPEC                 | HOLDDON, ASSEMBLY, 15 GOLD HEADER, DUAL ROW, MICRO MATE-N-LOK |  |
| 1 PLC ±                                |  | 108-1836                     | SIZE CAGE CODE DRAWING NO RESTRICTED TO                       |  |
| 2 PLC ±0.13                            |  | APPLICATION SPEC             | A20779C-794625  |  |
| 3 PLC ±                                |  | 114-13000                    | SCALE 4:1 SHEET 2 OF 2 REV G4                                 |  |
| 4 PLC ±                                |  | WEIGHT -                     | CUSTOMER DRAWING; RESTRICTED CUSTOMER                         |  |
| ANGLES ±1°                             |  |                              |   |  |
| FINISH -                               |  |                              |   |  |

1471-9 (3/13)