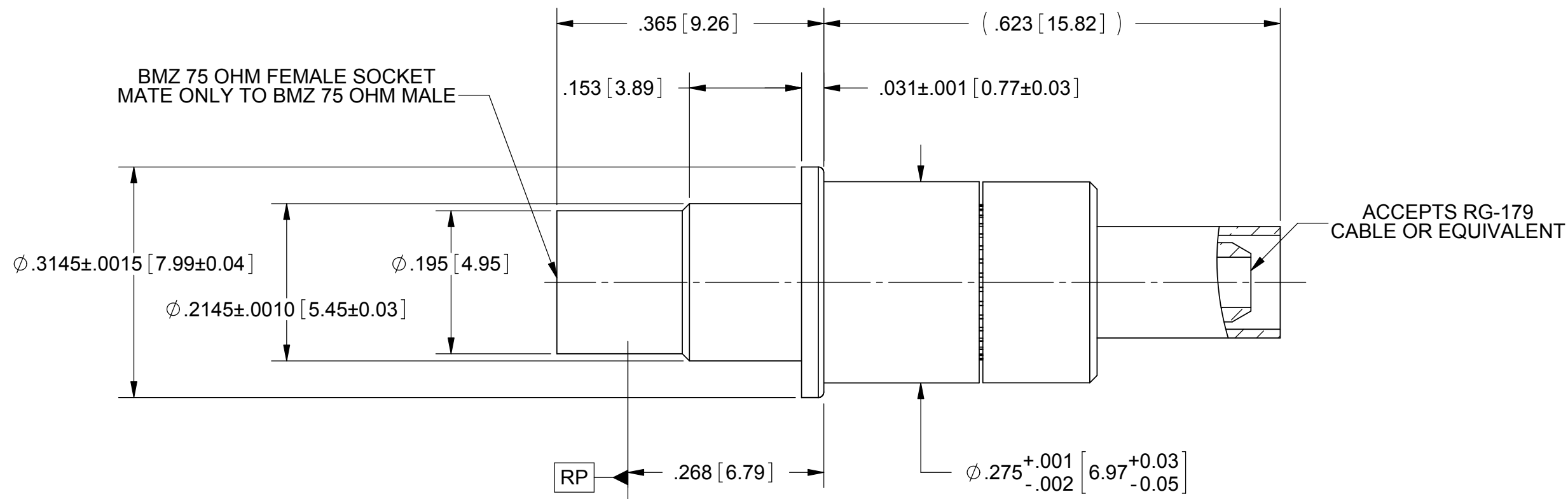


PRODUCT DATA DRAWING

REVISION HISTORY			
REV	DESCRIPTION	DATE	APPROVED
-	DCN 37707	08/10	PJS
A	REV. DCN 42401	06/06/16	STW

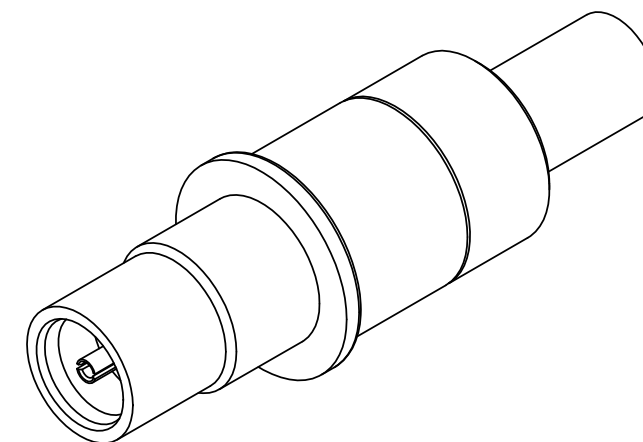


MATERIAL:

- BODY: STAINLESS STEEL PER AMS-5640 OR ASTM A582 ALLOY UNS S30300, TYPE 1
- CRIMP RING & FERRULE: BRASS PER ASTM B16, ALLOY UNS No. C36000
- CONTACT: BERYLLIUM COPPER PER ASTM B196, ALLOY No. UNS C17300, TD04
- INSULATOR: PTFE PER ASTM D1710, TYPE I, GRADE 1, CLASS B
- FINISH: PASSIVATED PER AMS-2700, TYPE 2.
- BODY: GOLD PER ASTM B488, TYPE II, CODE C, CLASS 1.27, OVER NICKEL PER AMS-QQ-N-290, CLASS 1, .00005" MIN.
- CRIMP RING & FERRULE: NICKEL PLATE PER AMS-QQ-N-290

PERFORMANCE:

- IMPEDANCE: 75 OHMS
- FREQ. RANGE: 950 TO 2000 MHz
- VSWR: 1.5:1 950 TO 2000 MHz
- DWV: 1000 VRMS
- OPERATING TEMP.: -55°C TO +125°C



MATERIAL: SEE NOTES	DIMENSIONS ARE IN INCHES TOLERANCES: FRACTIONAL: ±1/64 ANGULAR: X° ±1'0" X"X' ±15'	UNLESS OTHERWISE SPECIFIED 1) ALL DIMENSIONS ARE IN INCHES [MILLIMETERS] 2) ALL DIMENSIONS ARE AFTER PLATING. 3) BREAK CORNERS & EDGES .005 R. MAX. 4) CHAM. 1ST & LAST THREADS.	SV Microwave, Inc. 2400 Centrepark West Drive, Suite 100 West Palm Beach, FL 33409 TITLE: BMZ 75 OHM PIN FOR RG-179 M38999 SIZE 8 CAVITY
FINISH: SEE NOTES	DECIMAL: X ±.030 .XX ±.010 .XXX ±.005	5) SURFACE ROUGHNESS 63 MIL-STD-10. 6) DIA. S ON COMMON CENTERS TO BE CONCENTRIC WITHIN .005 T.I.R. 7) REMOVE ALL BURRS	
SURFACE AREA: N/A	INTERPRET DIMENSIONS AND TOLERANCES PER ASME Y14.5M - 1994	THIRD ANGLE PROJECTION	DWG. NO. SF9321-60007 SCALE: 6:1
PROPRIETARY THE INFORMATION CONTAINED IN THIS DRAWING IS THE SOLE PROPERTY OF SV MICROWAVE, INC. ANY REPRODUCTION IN PART OR AS A WHOLE WITHOUT THE WRITTEN PERMISSION OF SV MICROWAVE, INC IS PROHIBITED.	DRAWN: FED 08/12/10 CHECKED: PJS 08/12/10 APPROVED: PJS 08/12/10	SIZE B CAGE CODE 95077	SHEET 1 OF 1