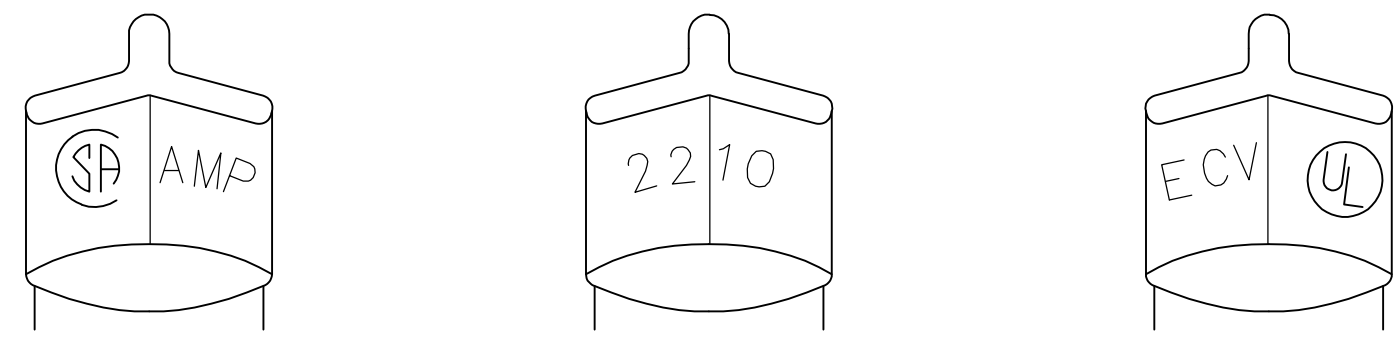


THIS DRAWING IS UNPUBLISHED. RELEASED FOR PUBLICATION
 © COPYRIGHT - By - ALL RIGHTS RESERVED.

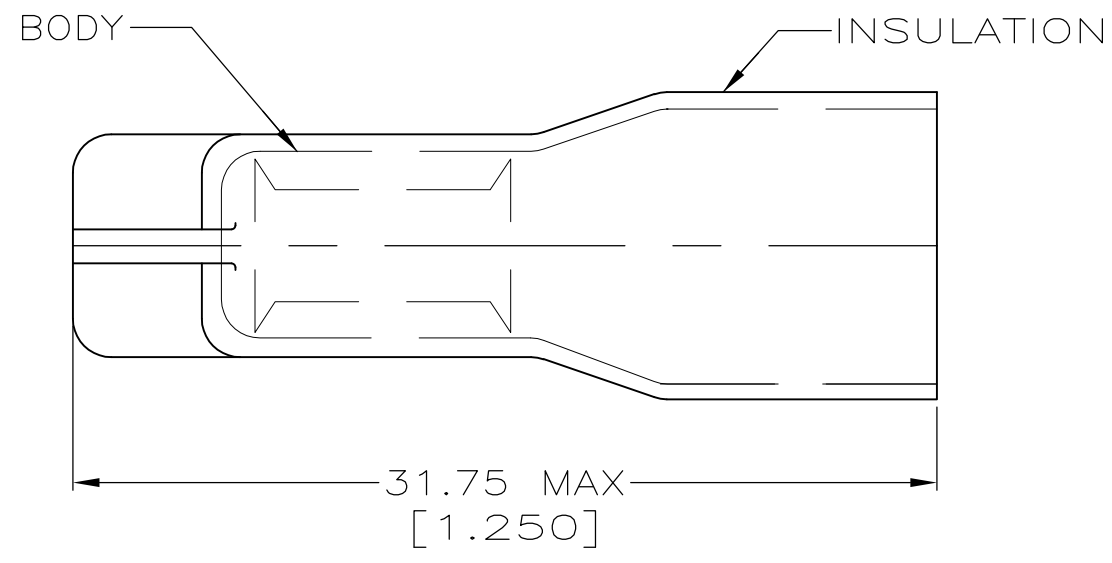
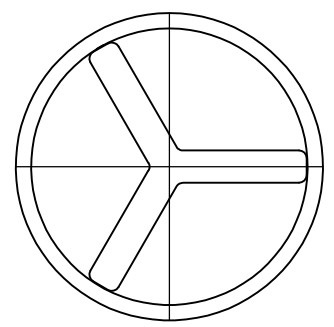
LOC	DIST	REVISIONS					
		P	LTR	DESCRIPTION	DATE	DWN	APVD
G	14		Y1	REVISED PER ECO-11-004917	11MAR11	RK	HMR

- △1 FOR 9.14 [.360] MAX WIRE INSULATION DIA
- △2 MATERIAL: BODY; COPPER PER ASTM B152 INSULATION; PVC COLOR; PURPLE
- △3 FINISH: BODY; TIN PL. PER ASTM B545



STAMPING DETAIL

AMP WIRE RANGE	Listed	LR7189 Certified
22-10 AWG SOLID OR STRANDED	22-10 AWG SOLID OR STRANDED	22-10 AWG SOLID OR STRANDED



QTY	DESCRIPTION	PART NO
100	LOOSE PC,BOX	8-321519-1
1500	TAPE MOUNTED	2-321519-2
-	LOOSE PIECE	321519

AMP INCORPORATED CUSTOMER SERVICE SYSTEMS		MAX RECOMMENDED OPERATING TEMPERATURE: 105° C MAX	THIS DRAWING IS A CONTROLLED DOCUMENT.		DWN G KRUPER 1/93	TE Connectivity					
FOR ADDITIONAL PRODUCT INFORMATION OR COPIES OF DRAWINGS AND TECHNICAL DOCUMENTS	PRODUCT INFORMATION CENTER 1-800-522-6752	VOLTAGE RATING: 600V MAX (BUILDING & WIRING) 1000V MAX (FIXTURES & SIGNS)	DIMENSIONS: INCHES	TOLERANCES UNLESS OTHERWISE SPECIFIED:	CHK R HERSEY 1/93					NAME SPLICE, WIRE, CLOSED END	
FOR APPLICATION TOOLING INFORMATION	TOOLING ASSISTANCE CENTER 1-800-722-1111	CIRCULAR MIL AREA: 1.65-6.59mm ² [3248-13000] SOLID OR STRANDED		0 PLC ± - 1 PLC ± - 2 PLC ± 0.20[.008] 3 PLC ± - 4 PLC ± - ANGLES ± -	APVD M ELLIS 1/93	APPLICATION SPEC					
FOR ORDER ENTRY	1-800-526-5142	THIS DRAWING IS A CONTROLLED DOCUMENT FOR AMP INCORPORATED. IT IS SUBJECT TO CHANGE AND THE CONTROLLING ENGINEERING ORGANIZATION SHOULD BE CONTACTED FOR THE LATEST REVISION.	MATERIAL	FINISH	PRODUCT SPEC	SIZE	CAGE CODE	DRAWING NO	RESTRICTED TO		
			△2	△3	WEIGHT	A3	00779	G-321519	-		
CUSTOMER DRAWING						SCALE	4:1	SHEET	1 OF 1	REV	Y1