

MATERIALS AND FINISHES:

BODY: STAINLESS STEEL
PASSIVATED

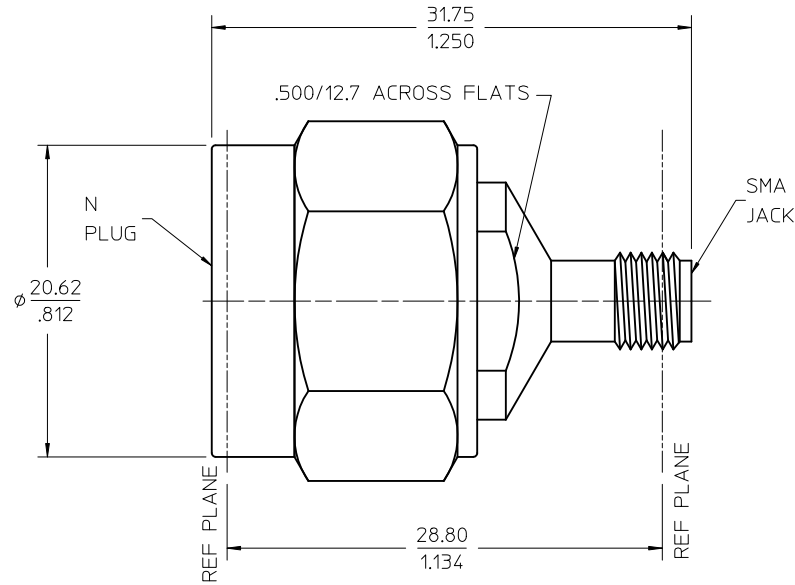
COUPLING NUT: BRASS
PLATED NICKEL

CENTER CONTACT: BERYLLIUM COPPER
PLATED GOLD

INSULATOR: TEFLON

RETAINING RING: BERYLLIUM COPPER

GASKET: SILICONE RUBBER



73386-0183	TRAY
73386-0182	ONE PIECE PER BAG
PART NO.	PACKAGING

PS-89675-2720	ELECTRICAL/MECHANICAL
SPECIFICATION	DESCRIPTION

CHG: ADD -0182 EC NO: URF2011-0612 DRWN: JWIENER 2011/04/15 CHKD: SSS 2011/04/15 APPR: JWIENER 2011/04/18	QUALITY SYMBOLS	GENERAL TOLERANCES (UNLESS SPECIFIED) <table border="1"> <tr> <th></th> <th>mm</th> <th>INCH</th> </tr> <tr> <td>4 PLACES</td> <td>± .005</td> <td>± .0005</td> </tr> <tr> <td>3 PLACES</td> <td>± .005</td> <td>± .0005</td> </tr> <tr> <td>2 PLACES</td> <td>± .005</td> <td>± .0005</td> </tr> <tr> <td>1 PLACE</td> <td>± .005</td> <td>± .0005</td> </tr> </table> ANGULAR ±1/2°		mm	INCH	4 PLACES	± .005	± .0005	3 PLACES	± .005	± .0005	2 PLACES	± .005	± .0005	1 PLACE	± .005	± .0005	DIMENSION STYLE MM/IN	SCALE DESIGN UNITS METRIC	THIRD ANGLE PROJECTION
			mm	INCH																
	4 PLACES		± .005	± .0005																
	3 PLACES		± .005	± .0005																
2 PLACES	± .005	± .0005																		
1 PLACE	± .005	± .0005																		
DRAFT WHERE APPLICABLE MUST REMAIN WITHIN DIMENSIONS	DRAWN BY EDC	DATE 1997/12/30	TITLE BSA SMA JACK TO N PLUG 50 OHM BSA-N/SMA EWR-2315																	
A1	APPROVED BY DHG	DATE 1997/12/30	MOLEX INCORPORATED																	
	MATERIAL NO. SEE TABLE	DOCUMENT NO. SD-73386-018	SHEET NO. 1 OF 1																	