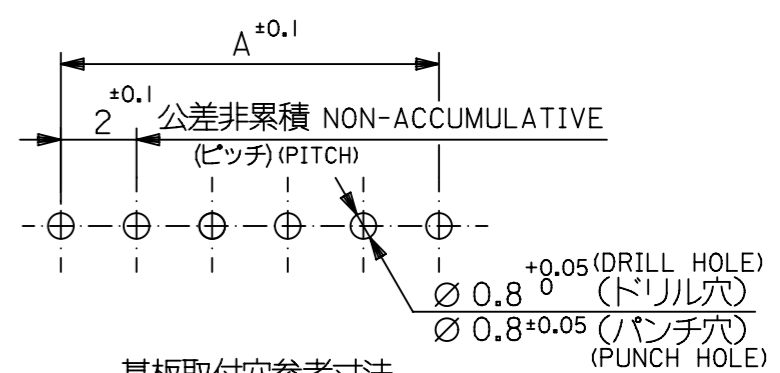
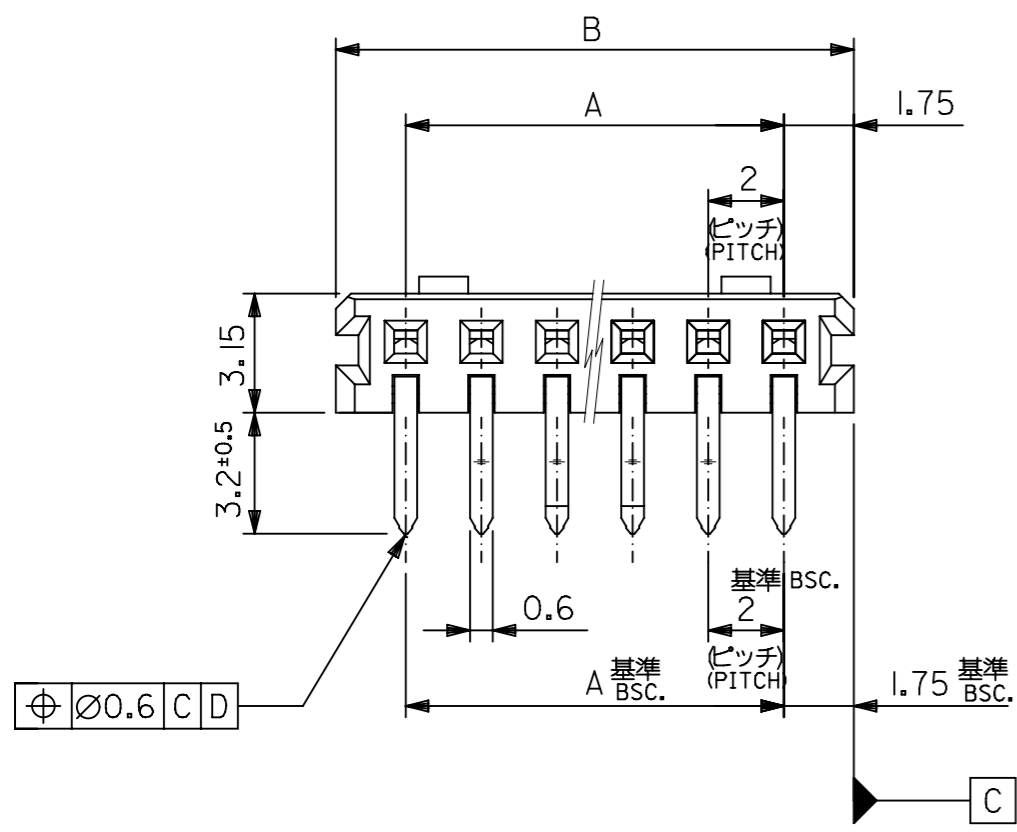


注記 NOTES

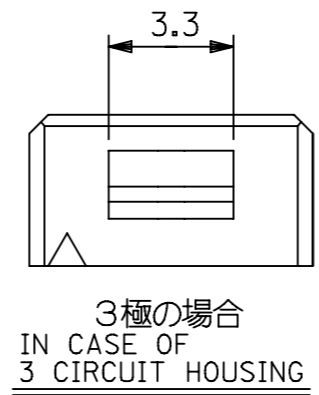
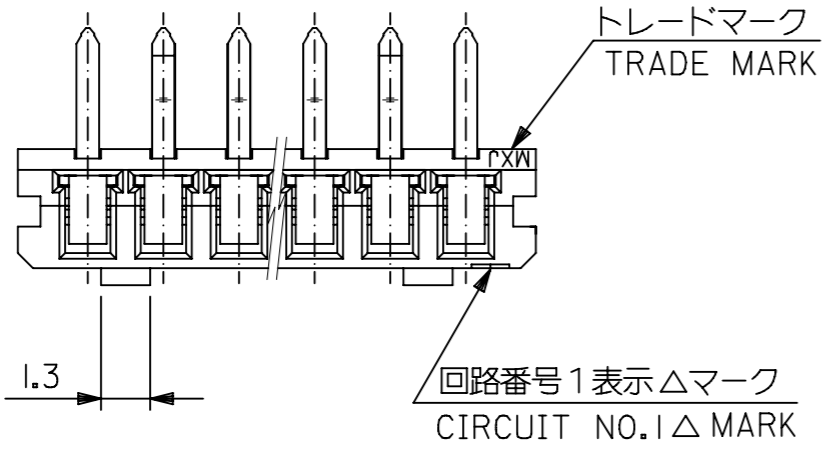
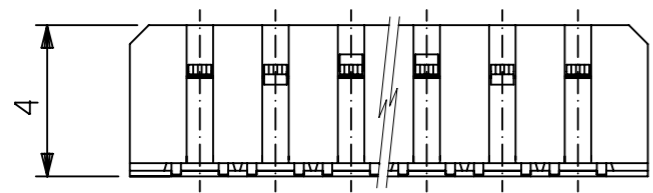
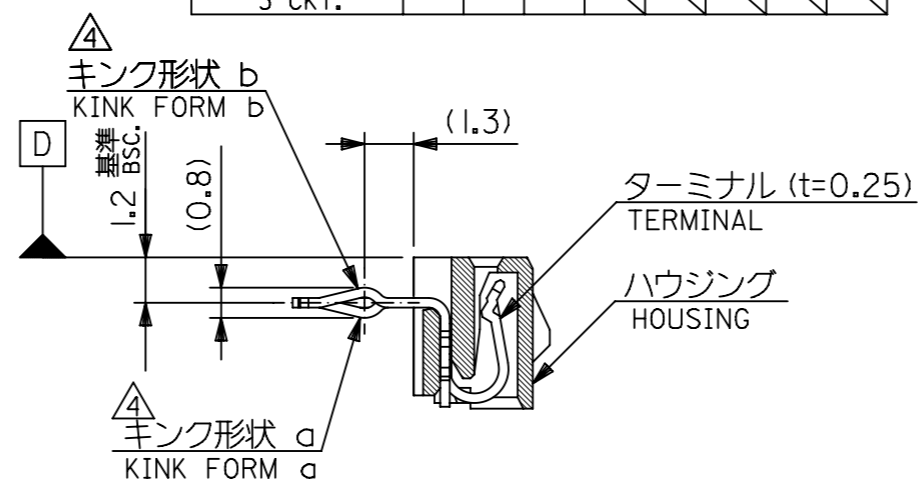
1. 材料 MATERIAL  
 ハウジング: PBT (ガラス15%入り), UL94V-0  
 HOUSING G.F. 15%  
 ターミナル: リン青銅、錫メッキ  
 TERMINAL PHOS.BRO. PRE-TINNED
2. 嵌合相手: 53290-\*\*10, -\*\*20  
 MATES WITH
3. 各部のソリは0.2MAX.  
 CAMBER; 0.2MAX.
4. キングは、下記表の位置に付加。  
 KINK TO BE APPLIED AS FOLLOWS.  
 (N: 極数 CKT.)



基板取付穴参考寸法  
 RECOMMENDED P.C. BOARD  
 HOLE DIM.(REFERENCE)  
 (t=1.6)



極数 CKT.	回路番号 CKT. No.	1	2	3	4	5	N-2	N-1	N
6極以上 MORE THAN 6 CKT.		-	a	b	-	-	b	a	-
5極 5 CKT.		a	b	-	b	a			
4極 4 CKT.		a	b	b	a				
3極 3 CKT.		a	b	a					



41.5	38	52418-2010	20
37.5	34	-1810	18
35.5	32	-1710	17
33.5	30	-1610	16
31.5	28	-1510	15
29.5	26	-1410	14
27.5	24	-1310	13
25.5	22	-1210	12
23.5	20	-1110	11
21.5	18	-1010	10
19.5	16	-0910	9
17.5	14	-0810	8
15.5	12	-0710	7
13.5	10	-0610	6
11.5	8	-0510	5
9.5	6	-0410	4
7.5	4	52418-0310	3
B	A	ENG. NO.	極数 CKT.

THIS DRAWING CONTAINS INFORMATION THAT IS PROPRIETARY TO MOLEX ELECTRONIC TECHNOLOGIES, LLC AND SHOULD NOT BE USED WITHOUT WRITTEN PERMISSION

mm NTS

GENERAL TOLERANCES (UNLESS SPECIFIED)

ANGULAR TOL ± °

4 PLACES ±

3 PLACES ±

2 PLACES ±

1 PLACE ±

0 PLACES ±

DRAFT WHERE APPLICABLE MUST REMAIN WITHIN DIMENSIONS

THIRD ANGLE PROJECTION

DRAWING A3-SIZE

SERIES 52418

MATERIAL NUMBER SEE TABLE

CUSTOMER GENERAL MARKET

SHEET NUMBER 1 OF 1

EC NO: 745492

DRWN: LIKITV 2023/04/26

CHK'D: GGA 2023/05/25

APPR: GGA 2023/05/25

INITIAL REVISION:

DRWN: RFC\_PLMIMP 2018/12/13

APPR: RFC\_PLMIMP 2018/12/13

DOCUMENT NUMBER SD-52418-XX10

DOC TYPE PSD

DOC PART 001

REVISION C1

**molex**

2.0 B/B CONN HSG ASSY (R/A)

PRODUCT CUSTOMER DRAWING

角 度	AN	角 度	AN	角 度	AN	角 度	AN	角 度	AN
角度	ANGLE	±3°							
30以上	OVER	±0.3							
10以上	30未	±0.25							
10未	満	±0.2							
一般公差	GENERAL TOLERANCES	REVISE ONLY ON CAD SYSTEM							