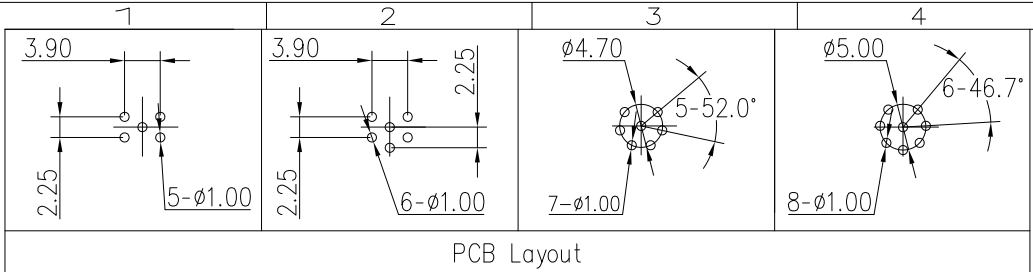
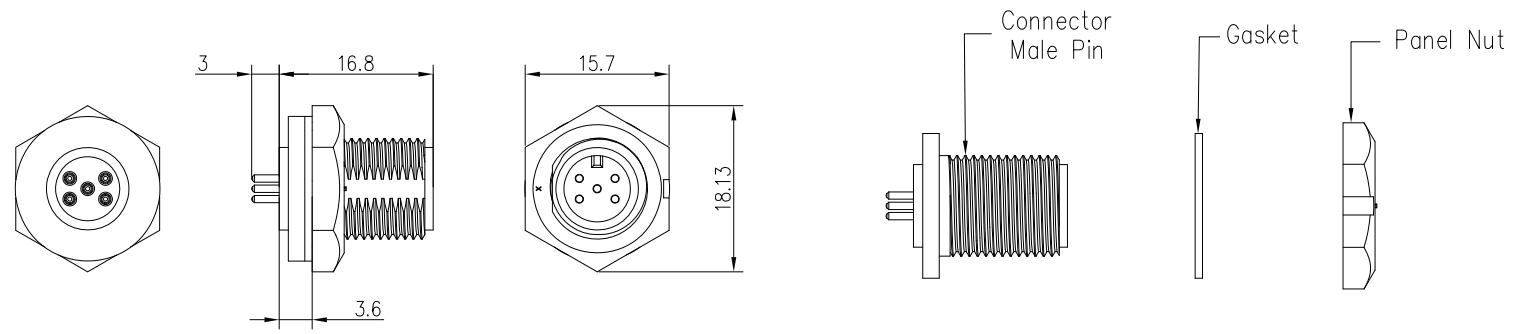
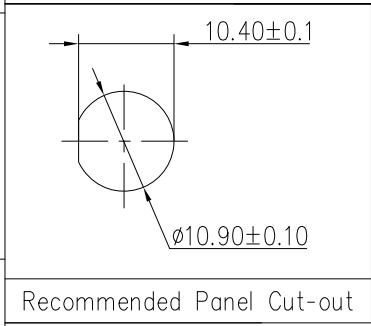


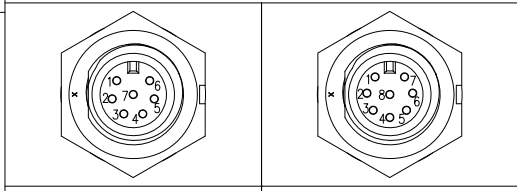
THIS INFORMATION IS CONFIDENTIAL AND IS DISCLOSED TO YOU ON CONDITION THAT NO FURTHER DISCLOSURE IS MADE BY YOU TO OTHER THAN CHOGORI PERSONNEL WITHOUT AUTHORIZATION FROM CHOGORI CORP.



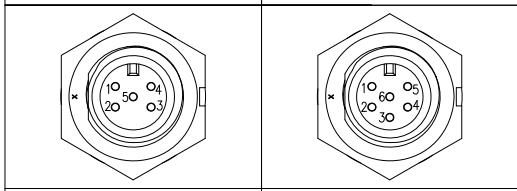
REV.	ECN NO.	DESCRIPTION	SIGN	DATE
C1	N/A	INITIAL DRAWING	Victory	2020/04/18



21XXX515-02
Pin Number



7 Pin 8 Pin
P/N: 21007515-02 P/N: 21008515-02



5 Pin 6 Pin
P/N: 21005515-02 P/N: 21006515-02

Pin Assignments Front View

- Specification:
- 1.Operation Temperature: -45°C~105°C.
 - 2.Insulation Resistance:100MΩ at DC 500V.
 - 3.Contact Resistance:<10mΩ .
 - 4.Withstand Voltage:1300V AC.
 - 5.Operating Current:2A.
 - 6.Operating Voltage:AC 110V.
 - 7.Waterproof Rate:IP67(Mated).
 - 8.Connector:Nylon+GF, Black.
 - 9.Panel Nut:Nylon, Black.
 - 10.Gasket:Silicon, Gray.
 - 11.Male Pin:Copper Alloy, Gold Plated.
 - 12.RoHS Compliant.
 - 13.UL Compliant.
 - 14.Mating Cap P/N: 806-00028-00

UNIT:mm		DESCRIPTION Mini Series Screw Type Front Mount With Male Pin(PCB)
TOLERANCE .X ±0.25 .XX ±0.15 .XXX ±0.05 ANGLES ±1°	SCALE: 4:5	SHEET 1 OF 1
REV. C1	SIZE A4	* :Inspection Item



PART NO	21XXX515-02	DRAWN BY	Victory	DATE	200/04/18
DWG NO		CHECKED BY	Ivan	DATE	2020/04/18
CUSTOMER		APPROVED BY	Panson	DATE	2020/04/18