

PART NAME: 5 STAR-KNOB SCALE: 1:1 DATE: 12/08/95 DR. BY RF

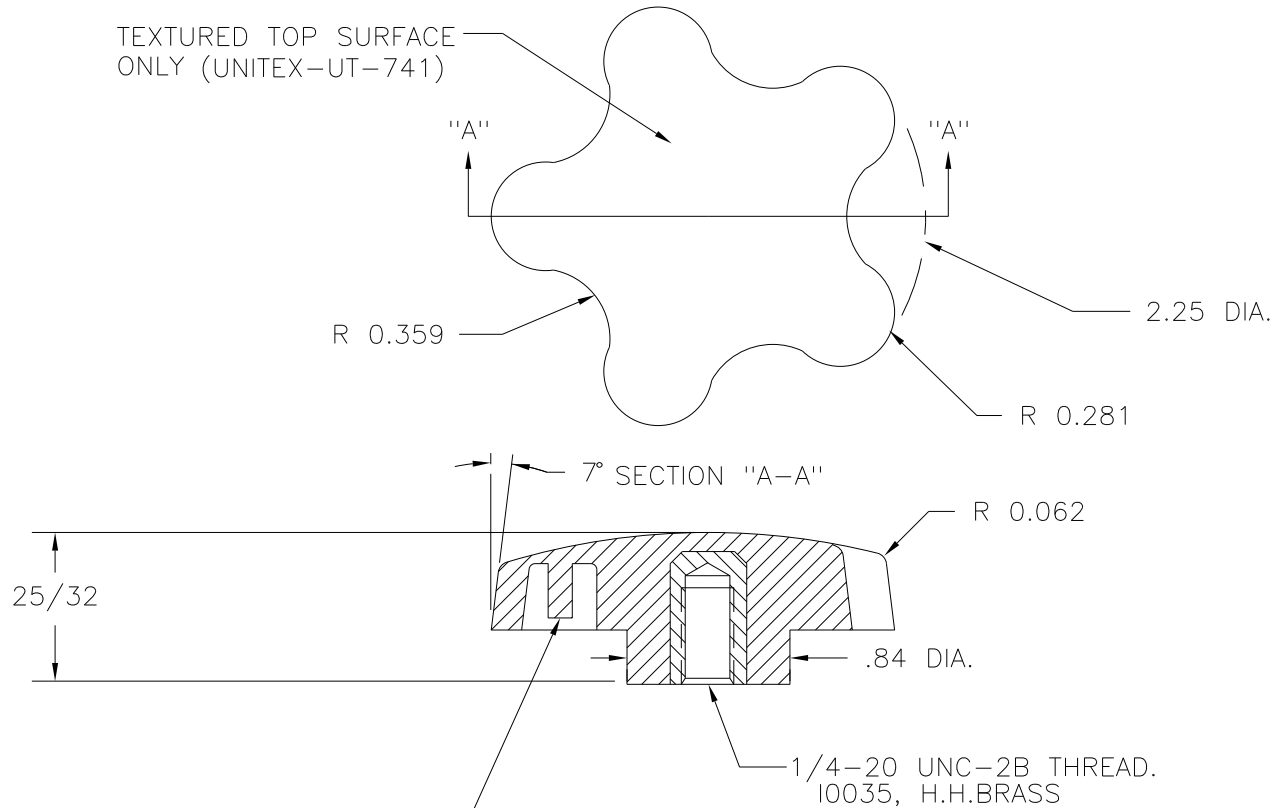


DESIGNERS & MANUFACTURERS OF KNOBS, HANDLES, CASES & CUSTOM PLASTIC COMPONENTS

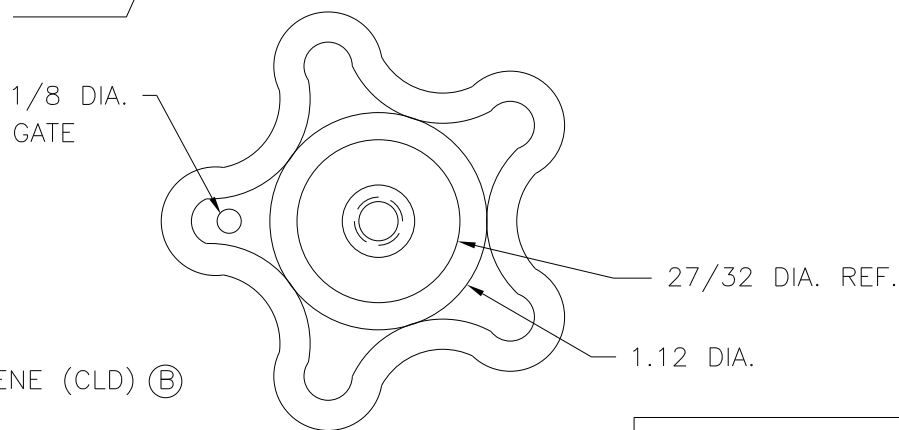
P/N	2980AC
M NO. #	9
CAV.	2980
CAV. PLUG	2980
CORE	2980
SLEEVE	2980
PIN	2980-AC
INSERT	10035

THIS DRAWING IS THE PROPERTY OF DAVIES MOLDING COMPANY, IS SUBMITTED SOLELY AS A DESIGN OR ENGINEERING PROJECT. WE ACCEPT NO RESPONSIBILITY WHATSOEVER FOR THE PRACTICAL APPLICATION OF THE PIECES MADE TO THIS DESIGN.

TEXTURED TOP SURFACE ONLY (UNITEX-UT-741)



NOTE : GATE TO BE TRIMMED FLUSH OR BELOW THIS SURFACE.



MATERIAL: POLYPROPYLENE (CLD) (B)
COLOR: BLACK

TOLERANCES: UNLESS OTHERWISE SPECIFIED	DO NOT SCALE DRAWING				
DECIMALS: X.XXX ± .005 X.XX ± .015	MM: X.XX ± 0.15MM X.X ± 0.4MM	B	ADDED MAT. CODE	DS	1/26/07
FRACTIONS ± 1/64	ANG. ± 1°	A	WAS 10528 FM. 5/16-18 THREAD.	HD	10/18/96
CHANGES					