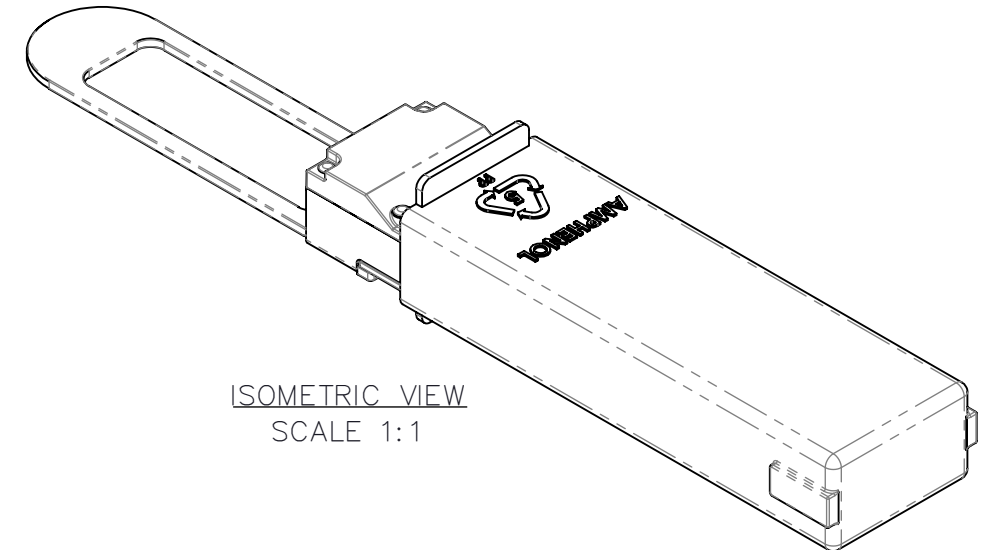
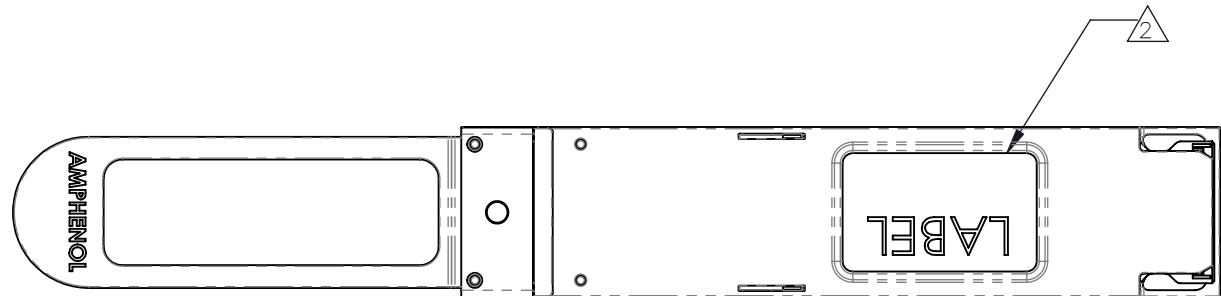
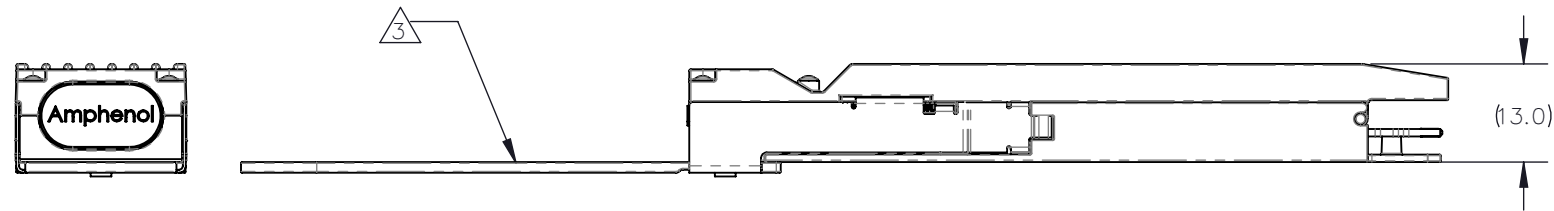
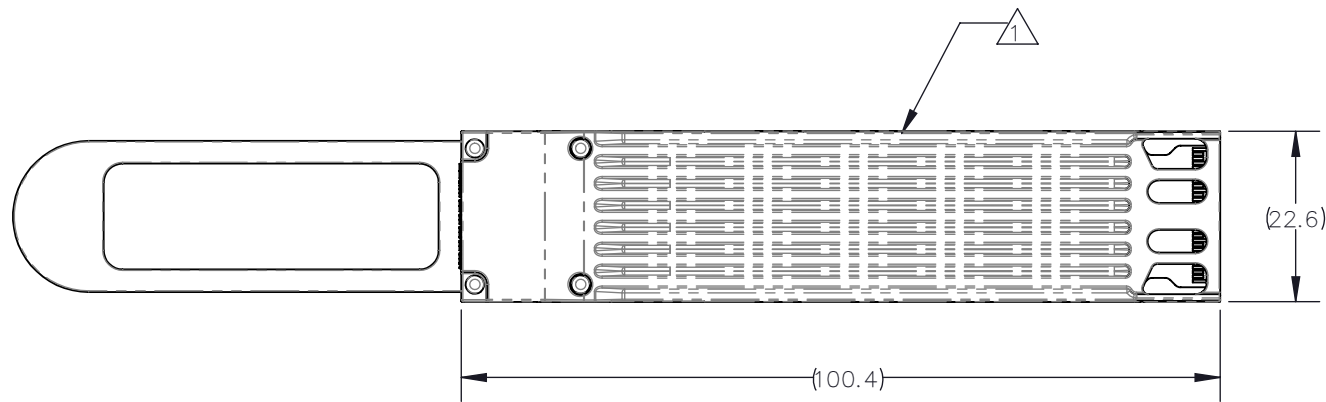


TABLE 1		
AHSP P/N	ACD P/N	DESCRIPTION
NLMAMB-C101	SF-NLMAMB0001-0001	OSFP LOOPBACK PASSIVE 0dB

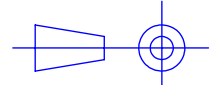
REVISIONS						
ZONE	REV	ECN	DESCRIPTION	BY	DATE	APPROVED
ALL	A	MKHN-18121401	NEW RELEASE	HCL-PB	12/26/2018	M.HUSSAIN
	B	RGAO-20122401	CHANGED 'TABLE 1' TO 'TABLE 2'. ADDED TABLE 1 TO ZONE D8. CHANGED THE TITLE BAR 'NLMAMB-C101' TO 'SEE TABLE 1'.	N.ZENG	12/24/2020	Y.CHEN
	C	RGAO-21020304	ADDED DESCRIPTION COLUMN TO TABLE 1.	N.ZENG	2/4/2021	Y.CHEN

TABLE 2	
ITEM No.	DESCRIPTION
①	PLUG OSFP REFERENCE OSFP MSA
②	LABEL, PLUG - AHSP P/N, REV, DATE CODE, CoO, 0dB, 0W & SERIAL NUMBER
③	LANYARD, UL 94V-0



- NOTES:
- THIS DRAWING IS RESERVED FOR AMPHENOL CABLES ON DEMAND.
 - ASSEMBLIES SHALL BE COMPLIANT TO OSFP MSA (APPENDIX X) SPECIFICATION.
 - EPROM CONTENT SHALL BE COMPLIANT WITH OSFP MSA SPECIFICATIONS FOR XXGB ASE-OSFP. EPROM REVISION IS EQUAL TO CUSTOMER PART NUMBER REVISION UNLESS OTHERWISE NOTED.
 - MODULE ASSEMBLIES MUST MEET SHIELDING EFFECTIVENESS REQUIREMENTS OF 35dB FROM 1-10GHz AND 30dB FROM 10-18GHz.

TOLERANCES	DWN 12/14/2018	<p>Amphenol AHSP A Division of Amphenol Corporation 200 Innovative Way, Suite 201, Nashua, N.H. 03062 (603) 879-3000</p>	<p>TITLE LOOPBACK, OSFP PASSIVE</p>	
0.0	± 0.1			M.HUSSAIN 12/14/2018
0.00	± 0.08			CHK 12/14/2018
0.000	± -			M.HUSSAIN 12/14/2018
ANGLES	± 1.0°			APVD 12/14/2018
UNLESS OTHERWISE SPECIFIED DIMENSIONS ARE IN MM			<p>PART NO. SEE TABLE 1</p> <p>DRAWING NO. C-NLMAMB-C101</p> <p>SIZE B SCALE 1:1 SHEET 1 OF 1</p>	


 INTERPRET PER ASME Y14.5
 CODE IDENT 31413

CUSTOMER USE DRAWING

DWG NO. C-NLMAMB-C101
 SH 1
 REV C