



Copyright FCI.

A

B

C

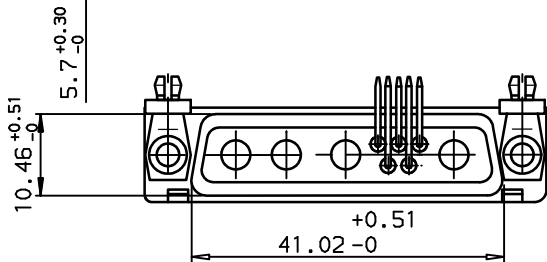
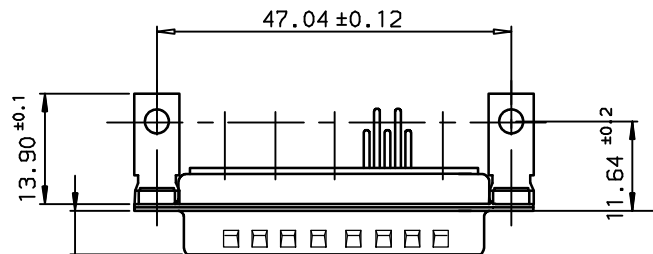
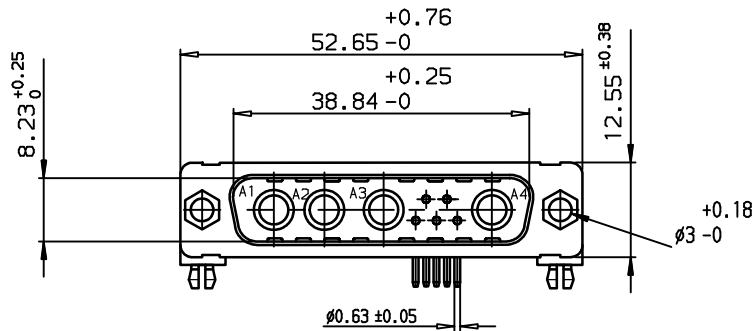
D

A

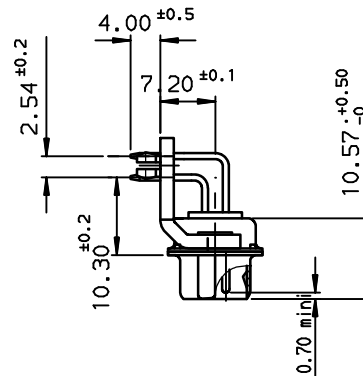
B

C

D



LAYOUT DIMENSIONS (after plating)  
CONNECTOR SIDE VIEW



TIN LEAD PART NUMBER

DB9W4P500G00
PART NUMBER

LEAD FREE PART NUMBER

DB9W4P500G00LF
PART NUMBER

GENERAL CHARACTERISTICS AND ROHS INFORMATIONS:  
SEE DRAWING C01-8639-0003

European Views

www.fciconnect.com		surface	tolerance std	projection	mm
		ISO 1302 ✓	ISO 406 ISO 1101		← mm →
TOLERANCES UNLESS OTHERWISE SPECIFIED					
Dr	JOUBERT	1996/08/27	ANGULAR	0.X ±0.1	size
Eng	PESSON	1996/08/27	LINEAR	0.XX ±0.1	A3
Chr	LEGARE	1996/08/27	0.XX* ±2*	0.XXX ±0.1	Scale
Appr	LEGARE	1996/08/27	Product family	D-SUB	1.5
				ECN	LS06-0095
				Spec ref	-
				title	PIN CONNECTOR RIGHT ANGLED
				cat no	C01-8639-0491
				Rev.	D
				CUSTOMER	sheet 1 of 1

rev	ecn no	dr	date
B	-	BAR	2003/10/22
C	LS05-001	MPE	2005/03/07
D	LS06-0095	LGO	2006/07/19
-	-	-	-
-	-	-	-
-	-	-	-
-	-	-	-

