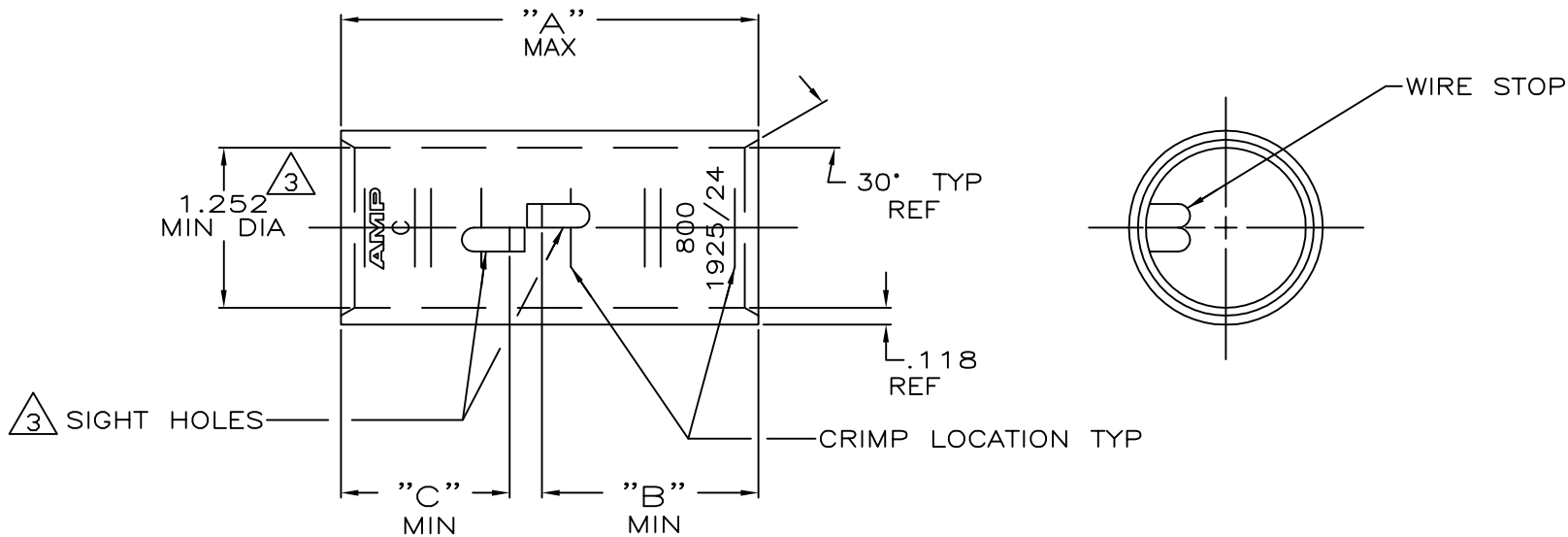


THIS DRAWING IS UNPUBLISHED. RELEASED FOR PUBLICATION
 © COPYRIGHT - By - ALL RIGHTS RESERVED.

LOC	DIST	REVISIONS			
P	LTR	DESCRIPTION	DATE	DWN	APVD
G	86	N	ECR-13-000998	11FEB2013	PK HS



① TIN PL .000150 MIN THK
MIL-T-10727

② PART NO: 324469; .486 LB.
PART NO: 1-324469-0; .486 LB.
PART NO: 2-324469-2; .548 LB.

③ .045 MAX BURR ALLOWED INSIDE THE
WIRE BARREL ID IN AREA OF SIGHT HOLE.

1.32	1.69	3.31	△	750-850 MCM	COPPER ASTM-B-75 ANNEALED	2-324469-2
1.32	1.32	2.96	CLEANED △			1-324469-0
"C"	"B"	"A"	FINISH	WIRE RANGE	MATERIAL	PART No

THIS DRAWING IS A CONTROLLED DOCUMENT.

DIMENSIONS: INCHES	TOLERANCES UNLESS OTHERWISE SPECIFIED:	DWN DK SCHRUM 4/24/89	
	0 PLC ± -	CHK MS FEHER 4/24/89	
	1 PLC ± -	APVD WJ VOCKROTH 11/8/89	
	2 PLC ± -	PRODUCT SPEC	
MATERIAL SEE TABLE	FINISH SEE TABLE	APPLICATION SPEC	NAME SPLICE, BUTT, AMPOWER WIRE SIZE: 800 MCM
		WEIGHT △	SIZE A3
		CUSTOMER DRAWING	CAGE CODE 00779
			DRAWING NO C=324469
			RESTRICTED TO
			SCALE 1:1
			SHEET 1 OF 1
			REV N