

# AR884SCT



Sample image

**Order symbol:** AR884SCT

**Product nbr:** 8561091

**Description:** PC Enclosure

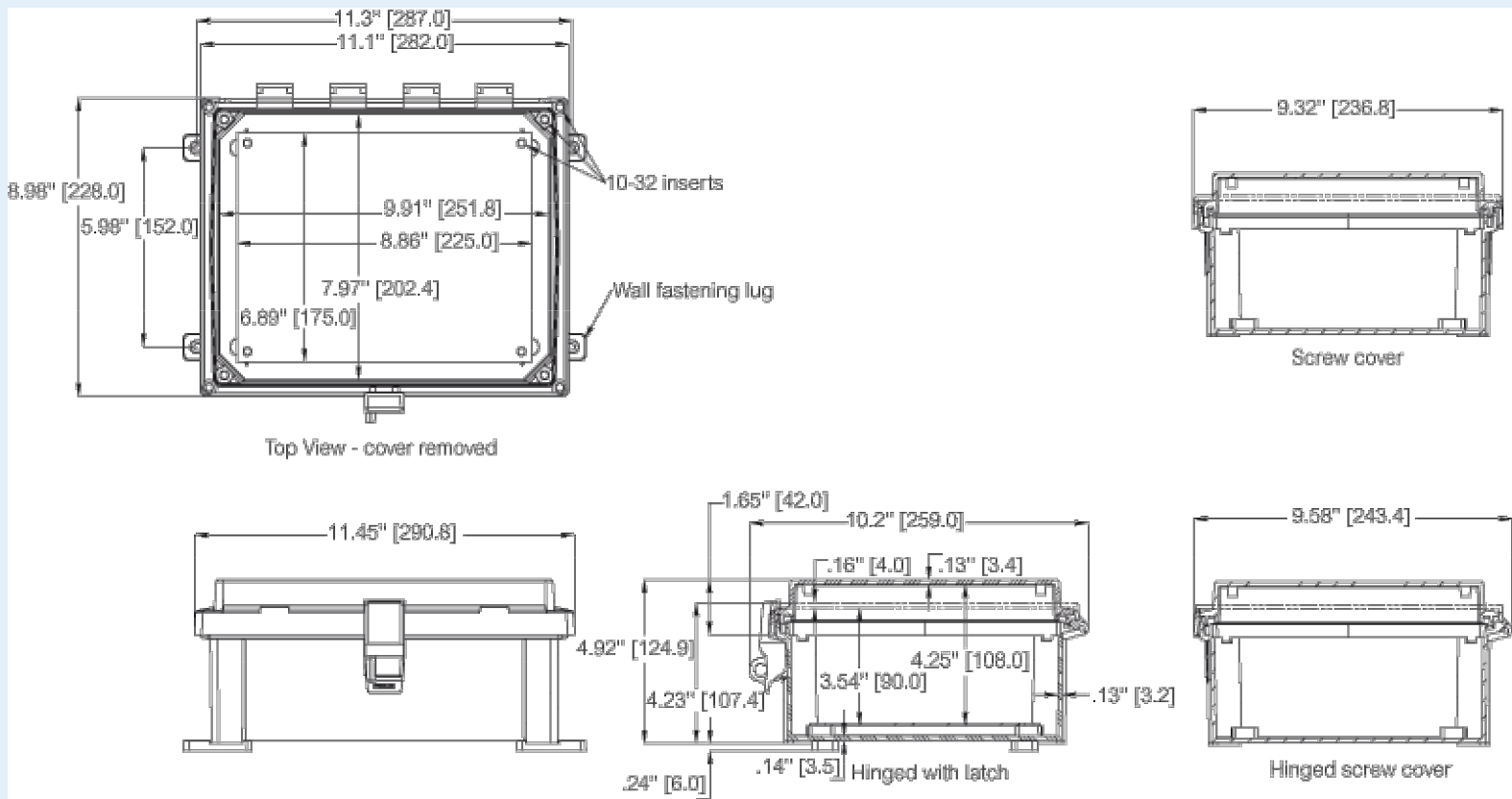
**Remarks:** Transparent screw cover

**EAN:** 6418074066329

**El. number:**

- Finland:
- Denmark:
- Sweden:

**Including:** Screw cover. Base with 10-32 brass inserts, cover with formed in place PUR gasket and 4 stainless cover screws. Enclosure mounting foot kit. Accessory 10-32 screws for panel mounting.



Dimensions:	Height	Width	Depth
mm:	203	203	102
inch:	8	8	4

**Accessories:**

- ALBP88 Aluminum Back Panel (175 x 175)
- ABP88 Painted Steel Back Panel (175 x 175)

**Materials:**

Material:	Polycarbonate
Base colour:	RAL 7035 -light grey
Cover colour:	Transparent
Gasket material:	Polyurethane

**Temperatures:**

Temperature °C (short term)::	-40 ... 140
Temperature °C (continuous):	-40 ... 80
Temperature °F (short term):	-40 ... 250
Temperature °F (continuous):	-40 ... 175

ASP88	Aluminum Swing Panel (204.4 x 204.5 x 0)
ASPHK8	Swing Panel Kit w/o Panel
APBP88	PVC Back Panel (175 x 175)
ADFP88	Dead Front Panel w/ screws (175 x 175 x 0)
ASPK88	Swing Panel Kit incl. Panel
AMFL8	8" Mounting Flange Set

**Rating:**

Ingress protection (EN 60529):	IP66; IP67;
Impact Resistance (EN 62262):	IK09;
Electrical insulation:	Not insulated
Halogen free (DIN/VDE 0472, Part 815):	1
UV resistance:	UL 508
Flammability Rating:	UL 508
Glow Wire Test (IEC 695-2-1) °C:	960 °C
NEMA Class	NEMA 4, 4X, 6, 6P, 12, 12K and 13

**Certificates:**

ARCA\_CertificateofCompliance