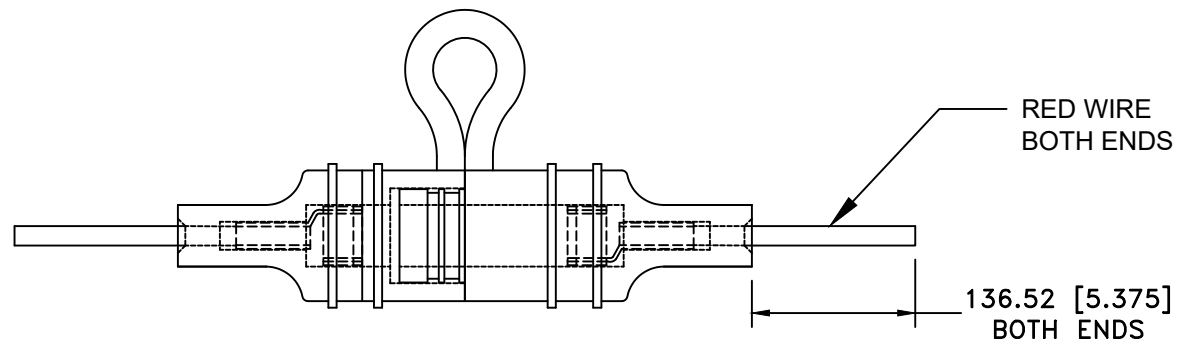
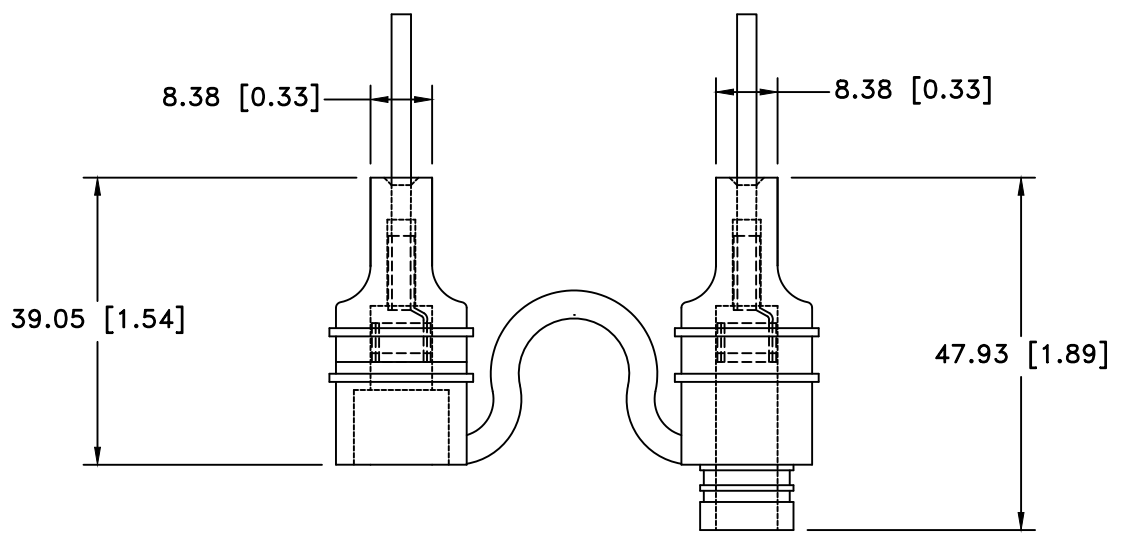



Date	SYM	REVISION RECORD	AUTH	DR.	CK.



ROHS COMPLIANT

SPECIFICATION:  
 YELLOW HOUSING, WATER RESISTANCE FOR WIRE ONLY  
 RED WIRES: 16-18 AWG,  
 FOR FUSE 6.3 x 32mm AGC/ATE OR 6.3 x 30mm JMC/JTG.

Tolerance (Except as noted)	 <b>Memory Protection Devices, Inc</b> 200 Broad Hollow Road, Farmingdale, New York 11735		
decimal ±.5 (.020)	Scale	Drawn By B.S.	
Fractional ± .8 (.030)	Title IN-LINE AGC FUSE HOLDER WITH WIRE		
Angular ± 3°	Date 12/21/22	Drawing Number BF-308-6	
Approved By T.B.			