

CORCOM APH & APS SERIES

High Current
3-Phase Power Line Filters



TE Connectivity has expanded the offering of Corcom 3-phase filters with high current models ranging from 250 to 1600 amps. Focused on alternative energy inverter and motor drive industries, the APH and APS Series offer models for standard and high performance applications in compact, low weight configurations with corrosion resistant busbar terminations for harsh environments. The APH and APS Series are also available without line to ground capacitors to work with variety of inverter system configurations.

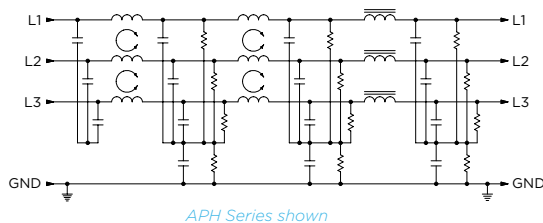
Standards and Specifications



Electrical Specifications

| | | 520 V Models | 690 V Models |
|-------------------------------|-----------------|--------------------------|--------------------------|
| Nominal leakage current: | | 6 mA | 10 mA |
| Maximum leakage current: | | 222 mA @ 277 V, 50 Hz | 330 mA @ 400 V, 50 Hz |
| Hipot rating (one minute): | Line to Ground: | 2200 VDC | 2640 VDC |
| | Line to Line: | 2160 VDC | 2520 VDC |
| Operating Voltage: | | 520 VAC | 690 VAC |
| Operating Frequency: | | 50 - 60 Hz | |
| Rated Current: | | 250 to 1600 A | |

Electrical Schematic



Key Features

- Light weight for easy installation
- Compact size
- High current applications up to 1600 A
- Delta wiring configuration
- Two performance levels
- 520 and 690 VAC models
- Available with limited leakage current

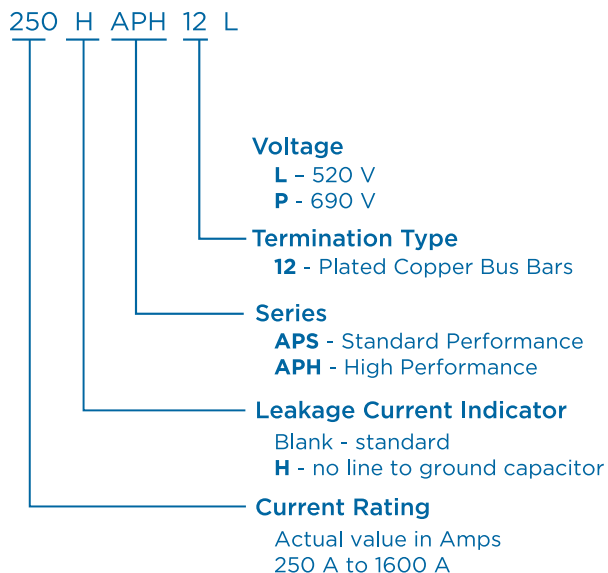
Key Benefits

- Reduced mounting and supporting structure requirements thanks to the lighter weight design
- Accommodate various installation configurations with flange mounting
- Reduced field service requirements with ruggedized busbar terminations

Applications

- Motor Drives
- Alternative Energy
- CNC Machines

Ordering Information



Dimensions

| Model | Enclosure * | | | Bus Bar |
|--------------------------|-------------|----------|-----------|-------------------|
| | Length mm | Width mm | Height mm | width x height mm |
| 250APS12L & 250APS12P | 208 | 160 | 123 | 5 x 20 |
| 400APS12L & 400APS12P | 245 | 205 | 120 | 6 x 25 |
| 600APS12L & 600APS12P | 245 | 205 | 120 | 8 x 25 |
| 1000APS12L & 1000 APS12P | 280 | 200 | 142 | 8 x 40 |
| 1600APS12L & 1600APS12P | 350 | 210 | 175 | 10 x 63 |
| 250APH12L | 250 | 160 | 115 | 5 x 20 |
| 400APH12L | 300 | 210 | 115 | 6 x 25 |
| 600APH12L | 300 | 210 | 115 | 8 x 25 |
| 1000APH12L | 350 | 230 | 144 | 8 x 40 |
| 1600APH12L | 400 | 250 | 160 | 10 x 63 |
| 250APH12P | 250 | 160 | 125 | 5 x 20 |
| 400APH12P | 300 | 210 | 128 | 6 x 25 |
| 600APH12P | 300 | 210 | 150 | 8 x 25 |
| 1000APH12P | 350 | 230 | 165 | 8 x 40 |
| 1600APH12P | 400 | 250 | 181 | 10 x 63 |

Dimensions are shown for reference purposes only. Specifications subject to change.
Customer drawing should be used for all design activity.

* does not include mounting flange