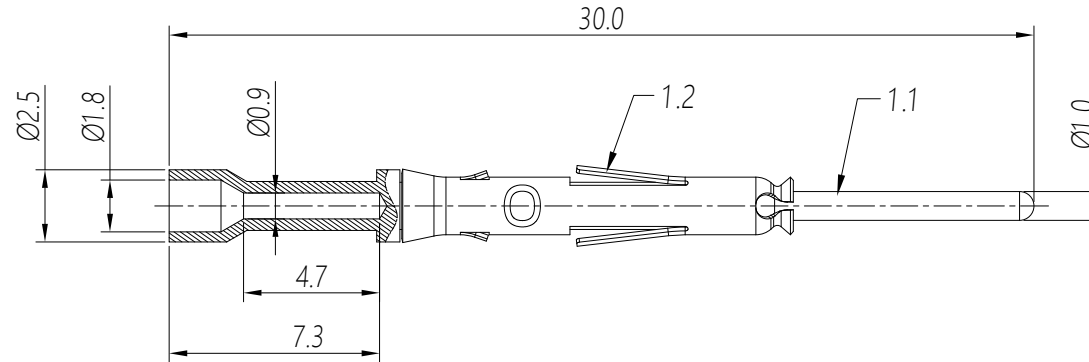


REVISIONS					
REV	ECO	DESCRIPTION	DATE	BY	APPR
B1	-	RELEASED DRAWING	JUN-18-2014	BEN	TOMMY



- NOTES: (UNLESS OTHERWISE SPECIFIED)
- MATERIAL:
    - CONTACT BODY: COPPER ALLOY.
    - OUTER SPRING: STAINLESS STEEL.
  - SPECIFICATIONS:
    - CURRENT RATING: 7.5A(MAX).
    - TERMINATION TYPE: CRIMPING.
    - WIRE RANGE: 26~24AWG.
  - SUITABLE SOCKET TYPE: MS24W23xx.
  - ROHS COMPLIANT.
  - ALL DIMENSIONS ARE FOR REFERENCE USE ONLY.

P/N	CONTACT PLATING(MATING AREA)
MP24W23F	GOLD FLASH PLATING OVER NICKEL.
MP24W23G5	5 $\mu$ "GOLD PLATING OVER NICKEL.
MP24W23G10	10 $\mu$ "GOLD PLATING OVER NICKEL.
MP24W23G15	15 $\mu$ "GOLD PLATING OVER NICKEL.
MP24W23G30	30 $\mu$ "GOLD PLATING OVER NICKEL.

QUANTITY	PART NUMBER	DESCRIPTION	ITEM
<b>MATERIALS LIST</b>			
UNLESS OTHERWISE SPECIFIED: 1) All dimensions are in metric(mm). 2) Tolerances are as follows: 1 PL DEC $\pm 0.30$ 2 PL DEC $\pm 0.15$ 3 PL DEC $\pm 0.08$ 3) Note reference =		SIGNATURES DRAWN: BEN CHECKED: ENGINEER: APPROVAL:	DATE JUN-18-2014
MATERIAL SPECIFICATIONS:		<b>Amphenol</b>	
PROCESS SPECIFICATIONS:		Sine Systems - www.amphenol-sine.com 44724 Morley Drive Clinton Township, MI 48036	
NEXT ASSY:		ECO-MATE, PIN CONTACT, MACHINE, 26-24AWG, SIZE 20.	
THIS DRAWING IS SUPPLIED FOR INFORMATION ONLY. DESIGN FEATURES, SPECIFICATIONS AND PERFORMANCE DATA SHOWN HEREON ARE THE PROPERTY OF THE AMPHENOL CORPORATION. NO RIGHTS OF REPRODUCTION ARE IMPLIED. ALL DIMENSIONS ARE SUBJECT TO NORMAL MANUFACTURING VARIATIONS.		SIZE <b>B</b>	TYPE <b>C-</b>
		DWG NO: <b>MP24W23xx</b>	REVISION <b>B1</b>
SCALE NONE		SHEET 1 OF 1	

TITLE: ECO-MATE PIN CONTACT MACHINE, 26-24AWG, SIZE 20  
DWG NO: MP24W23xx  
REV: B1  
SH: 1  
OF: 1