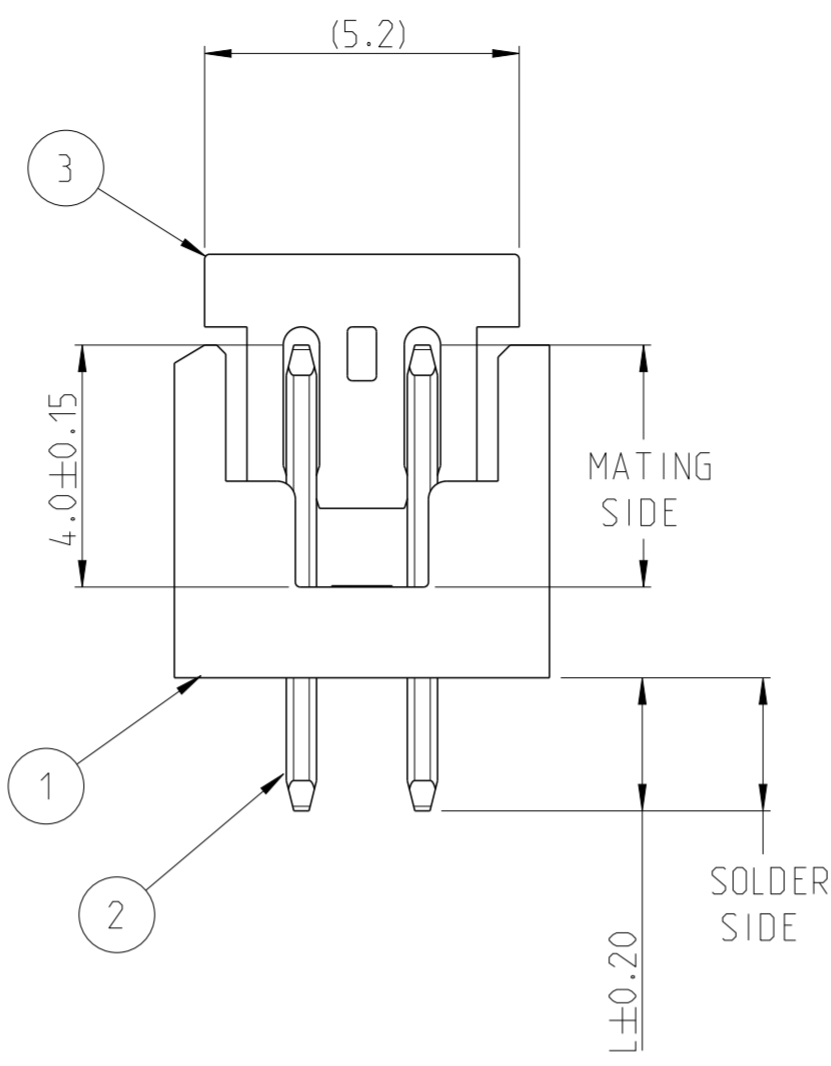
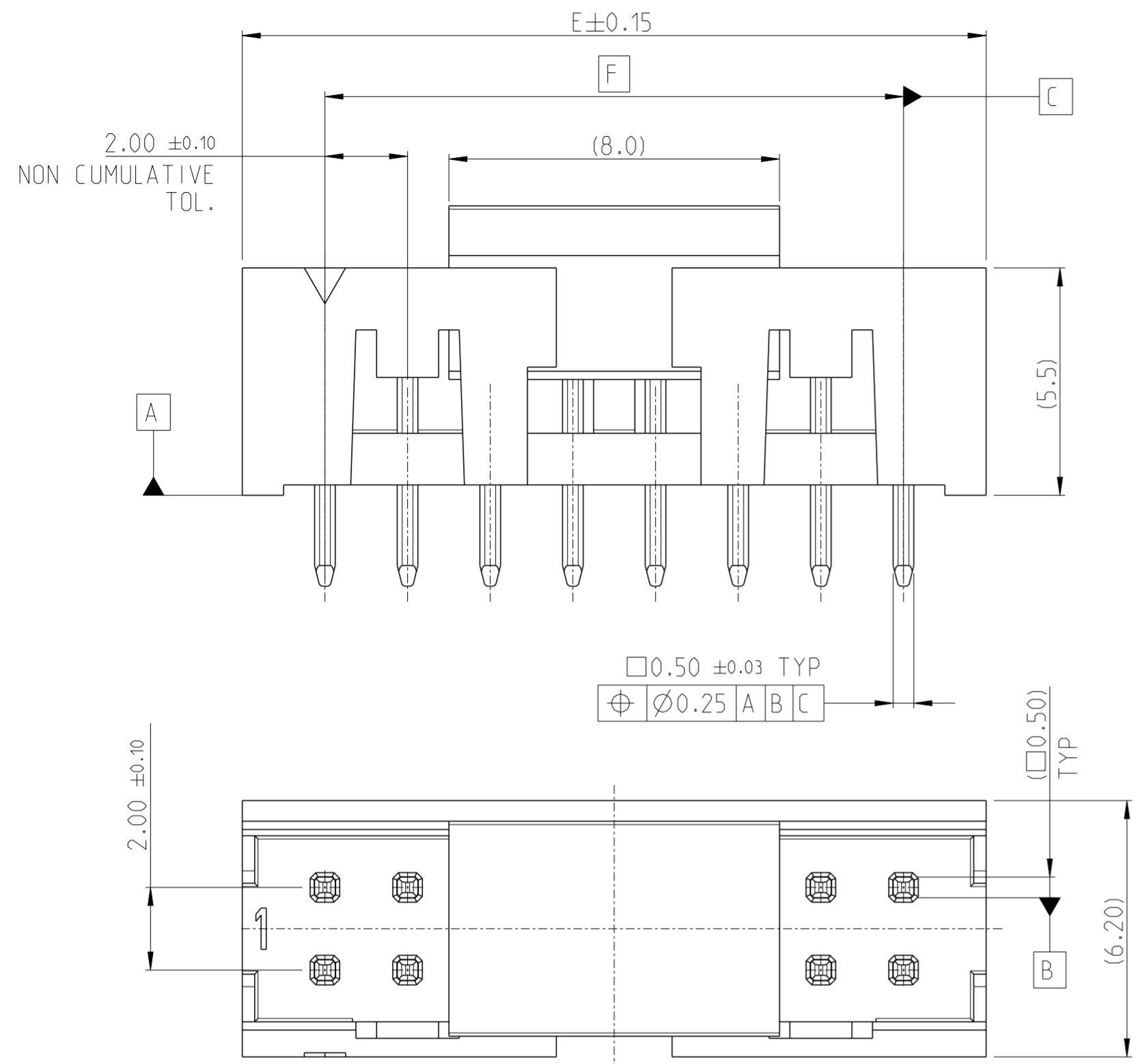


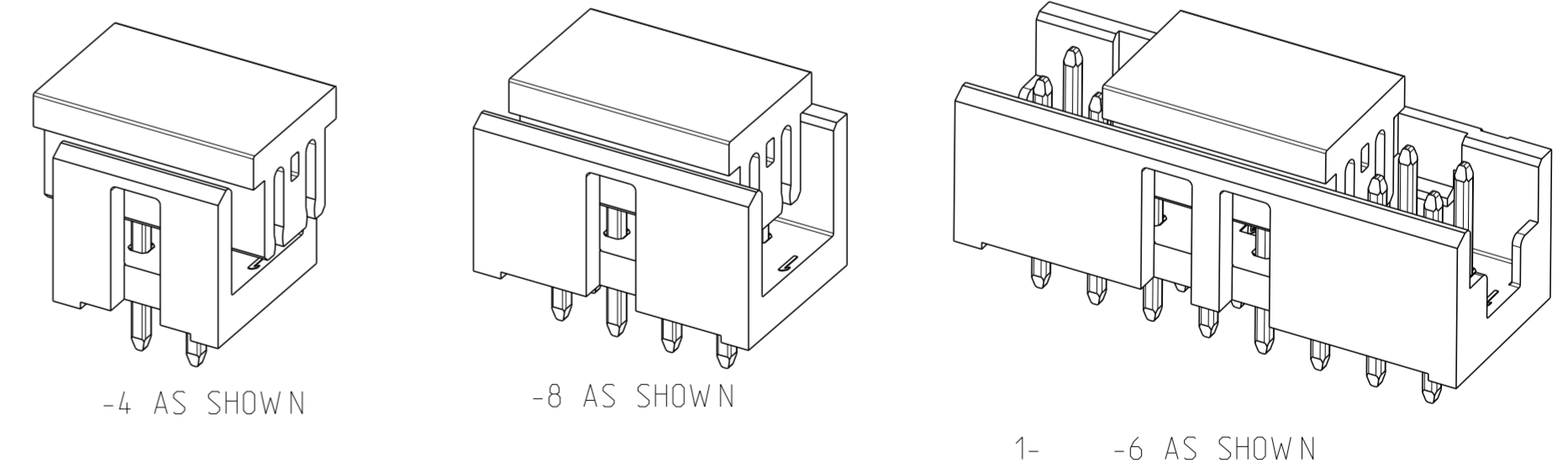
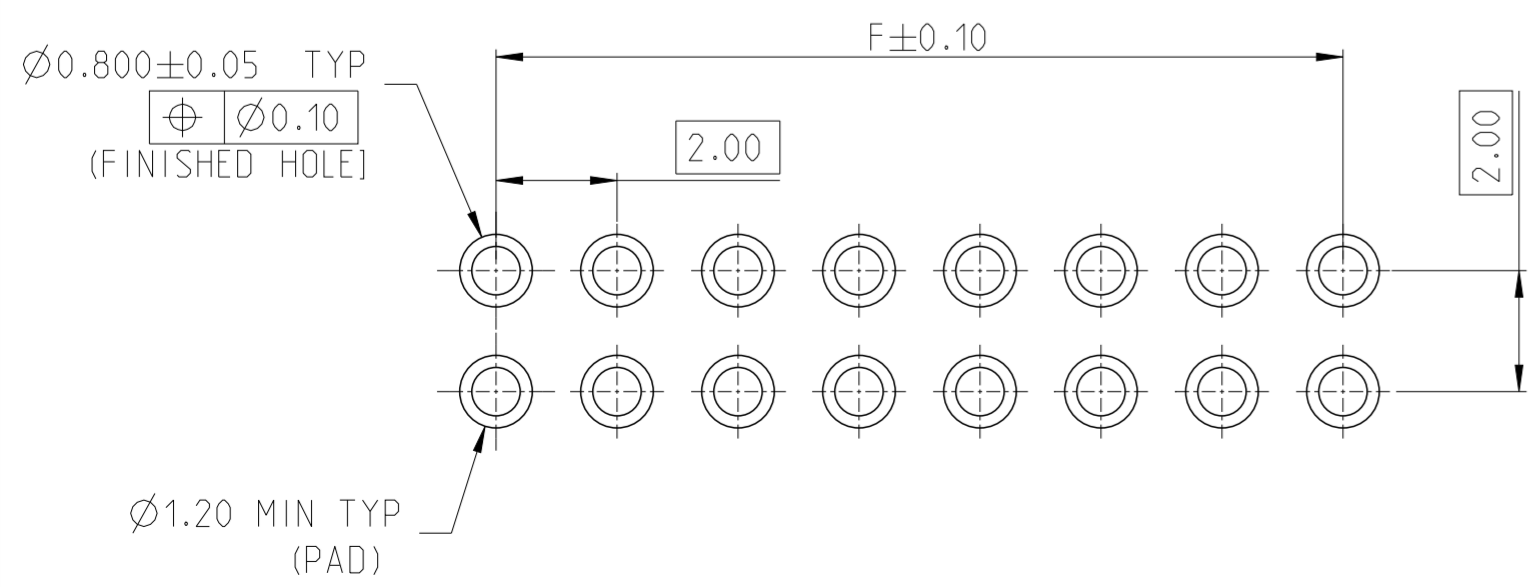
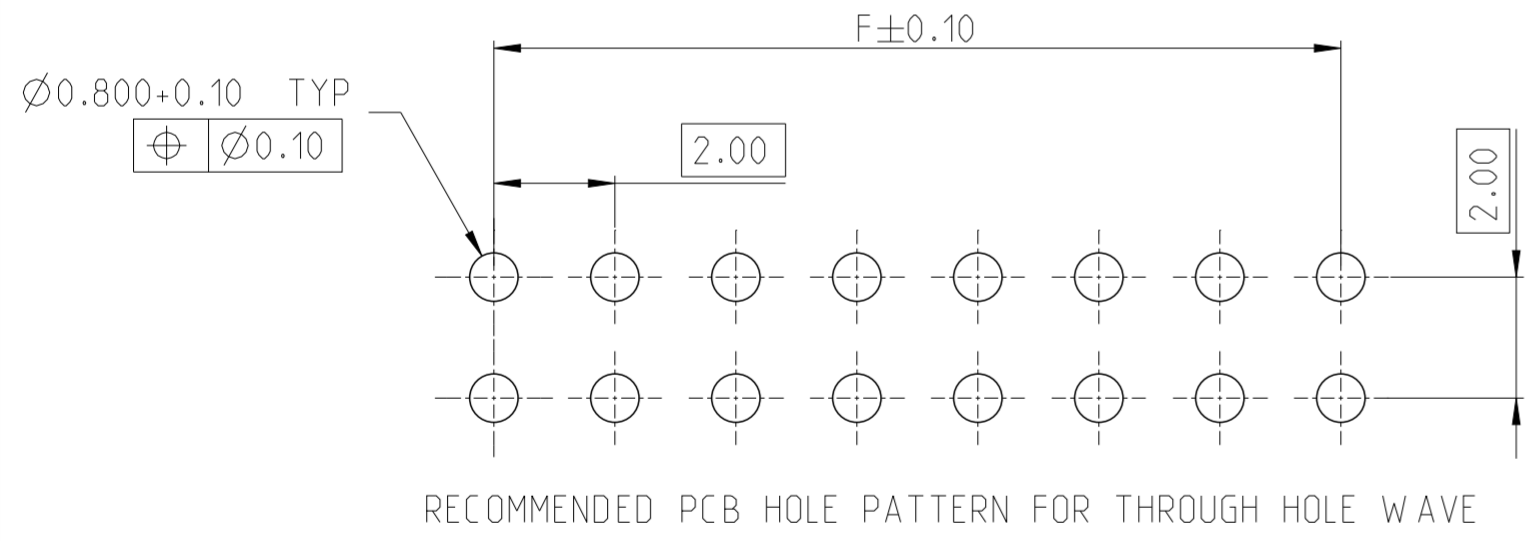
THIS DRAWING IS UNPUBLISHED. RELEASED FOR PUBLICATION
 © COPYRIGHT 2016 TE CONNECTIVITY ALL RIGHTS RESERVED.

REVISIONS				
P	LTR	DESCRIPTION	DATE	APVD
	A	RELEASE TO PRODUCTION	20SEP2022	DK PS



CAP	3
POST	2
HOUSING	1
DESCRIPTION	ITEM

- NOTES:
- MATERIAL
 HOUSING & CAP : HIGH TEMPERATURE THERMOPLASTIC, UL94-V0; COLOR- BLACK
 POST : PHOSPHOR BRONZE
 - FINISH :
 - 3 - 5µm TIN OVER MIN 1.27µm NICKEL UNDER PLATING
 - MATING SIDE: MIN. 0.1µm GOLD OVER MIN 1.27µm NICKEL UNDER PLATING
 SOLDER SIDE: 4 - 6µm TIN OVER MIN 1.27µm NICKEL UNDER PLATING
 - MATING SIDE: MIN 0.38µm GOLD OVER MIN 1.27µm NICKEL UNDER PLATING
 SOLDER SIDE: 4 - 6µm TIN OVER MIN 1.27µm NICKEL UNDER PLATING
 - MATING SIDE: MIN 0.76µm GOLD OVER MIN 1.27µm NICKEL UNDER PLATING
 SOLDER SIDE: 4 - 6µm TIN OVER MIN 1.27µm NICKEL UNDER PLATING
 - FOR SMART PART NUMBER, NO. OF POSITIONS PER CONNECTOR HAS TO BE ADDED NEXT TO NO. OF ROWS (2MM-HSD-D__-VT-__-__-__-). REFER SHEET 3 NOMENCLATURE.
 FOR EXAMPLE: 2MM-HSD-D02-VT-01-T-TB = 4 POSITION.
 2MM-HSD-D25-VT-01-T-TB = 50 POSITION.
 - PACKAGING: A. TAPE & REEL WITH (W/) CAP.
 B. TUBE WITH (W/) AND WITHOUT (W/O) CAP.
 C. BOX (W/O) CAP.
 - FOR TUBE PACKAGING W/CAP:
 NO PICK AND PLACE CAP FOR -4 POS. HEADER POSITION STARTS FROM -6 POS.
 - PART NUMBER AVAILABLE UPON CUSTOMER REQUEST.




THIS DRAWING IS A CONTROLLED DOCUMENT.		DWN 11FEB2016 RAKSHITH NAYAK	TE Connectivity	
		CHK 31MAR2016 KARTHIK J K		
DIMENSIONS: mm		APVD 31MAR2016 PRASHANTH S	NAME AMPMODU 2mm SHROUDED HEADER DUAL ROW, VERTICAL	
TOLERANCES UNLESS OTHERWISE SPECIFIED:		PRODUCT SPEC 108-64040	APPLICATION SPEC	
0 PLC ±		114-64040	RESTRICTED TO	
1 PLC ±0.1		WEIGHT	-	
2 PLC ±0.05		CUSTOMER DRAWING	SCALE 8:1 SHEET 1 OF 3 REV A	
3 PLC ±				
4 PLC ±				
ANGLES ±2°				
FINISH				
SEE NOTES				

THIS DRAWING IS UNPUBLISHED. RELEASED FOR PUBLICATION
 © COPYRIGHT 2016 TE CONNECTIVITY ALL RIGHTS RESERVED.

REVISIONS				
P	LTR	DESCRIPTION	DATE	APVD
-		SEE SHEET 1	-	-

48	52	50
42	46	44
38	42	40
30	34	32
28	32	30
26	30	28
24	28	26
22	26	24
20	24	22
18	22	20
16	20	18
14	18	16
12	16	14
10	14	12
8	12	10
6	10	8
4	8	6
2	6	4
DIM "F"	DIM "E"	POSITION PER CONNECTOR

THIS DRAWING IS A CONTROLLED DOCUMENT.		DWN 11FEB2016 RAKSHITH NAYAK	 TE Connectivity		
		CHK 31MAR2016 KARTHIK J K			
DIMENSIONS: mm		APVD 31MAR2016 PRASHANTH S	NAME AMPMODU 2mm SHROUDED HEADER DUAL ROW, VERTICAL		
TOLERANCES UNLESS OTHERWISE SPECIFIED: 0 PLC ± 1 PLC ±0.1 2 PLC ±0.05 3 PLC ± 4 PLC ± ANGLES ±2°		PRODUCT SPEC 108-64040	SIZE A2	CAGE CODE 00779	DRAWING NO C-2823335
MATERIAL SEE NOTES		FINISH SEE NOTES	RESTRICTED TO -	SCALE 6:1	SHEET 2 OF 3
		WEIGHT -	CUSTOMER DRAWING	REV A	

THIS DRAWING IS UNPUBLISHED. RELEASED FOR PUBLICATION
 © COPYRIGHT 2016 TE CONNECTIVITY ALL RIGHTS RESERVED.

REVISIONS					
P	LTR	DESCRIPTION	DATE	DWN	APVD
-		SEE SHEET 1	-	-	-

SMART PART NUMBER
 2MM - HSD - D - VT - - - - -

PRODUCT SERIES

2MM AMPMODU 2mm series

GENDER / TYPE

HSD Shrouded headers for detent latch

NUMBER OF ROWS

D Double row

NUMBER OF PINS PER ROW

XX 02 through 16,20,22,25 (enter two digits)

ORIENTATION & TERMINATION

VT Vertical through hole

PACKAGING

TB	Tube without cap	
TBP	Tube with cap	8
TRP	Tape and reel with cap	
BX	Box	9

PLATING


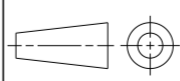
T	Tin
F	0.1µm Gold (Gold flash)
M	0.38µm Gold
H	0.76µm Gold

TAIL LENGTH (L)

01	2.2 mm
02	2.8 mm
03	3.4 mm

SMART PN EXAMPLES :

1. AMPMODU 2MM, SHROUDED HEADER STD VERSION, DOUBLE ROW, 02 POSITION PER ROW, VERTICAL MOUNT, 2.2MM SOLDER TAIL LENGTH, TIN PLATING, TUBE W/O CAP
2MM-HSD-D02-VT-01-T-TB
2. AMPMODU 2MM, SHROUDED HEADER STD VERSION, DOUBLE ROW, 25 POSITION PER ROW, VERTICAL MOUNT, 3.4MM SOLDER TAIL LENGTH, 0.76µm GOLD PLATING, BOX PACKAGING
2MM-HSD-D25-VT-03-H-BX

THIS DRAWING IS A CONTROLLED DOCUMENT.		DWN 11FEB2016 RAKSHITH NAYAK	 TE Connectivity		
DIMENSIONS: mm		CHK 31MAR2016 KARTHIK J K			
TOLERANCES UNLESS OTHERWISE SPECIFIED:		APVD 31MAR2016 PRASHANTH S	NAME AMPMODU 2mm SHROUDED HEADER DUAL ROW, VERTICAL		
		PRODUCT SPEC 108-64040	RESTRICTED TO -		
MATERIAL SEE NOTES		APPLICATION SPEC 114-64040	SIZE A2	CAGE CODE 00779	DRAWING NO C-2823335
FINISH SEE NOTES		WEIGHT -	SCALE 1:1 SHEET 3 OF 3 REV A		
		CUSTOMER DRAWING			