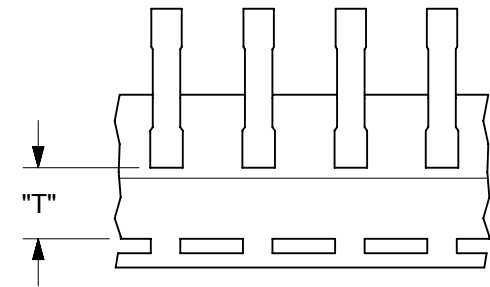
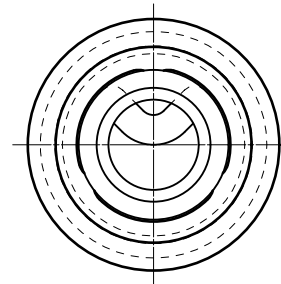
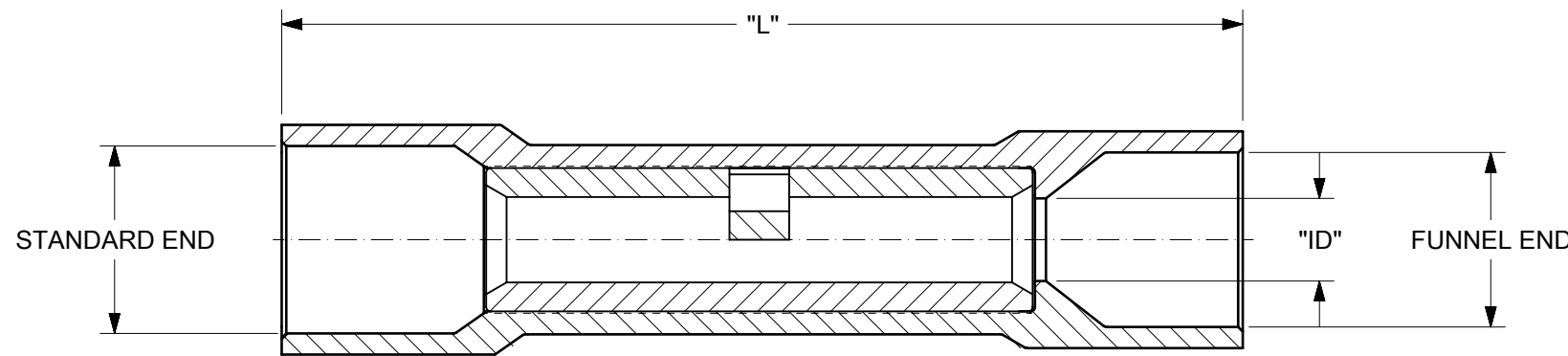


MATERIAL NUMBER	ALTERNATE NUMBER	WIRE SIZE AWG	INSULATION COLOR	CONNECTOR ID	MAX. WIRE INSUL. DIA.		LENGTH "L"	TAPE HEIGHT "T"	DESCRIPTION
					STANDARD END	FUNNEL END			
192020010	AS-932	22-18	LIGHT RED	.061 (1.55)	.161 (4.09)	.147 (3.73)	1.07 (27.18)	----	LOOSE PIECE
192020011	AS -932-DK	22-18	DARK RED	.061 (1.55)	.161 (4.09)	.147 (3.73)	1.07 (27.18)	----	LOOSE PIECE
192020012	AS-932-DKT	22-18	DARK RED	.061 (1.55)	.161 (4.09)	.147 (3.73)	1.07 (27.18)	.480 (12.19)	TAPE MOUNTED
192020026	BS-942	16-14	LIGHT BLUE	.087 (2.21)	.199 (5.05)	.185 (4.70)	1.07 (27.18)	----	LOOSE PIECE
192020027	BS-942-DK	16-14	DARK BLUE	.087 (2.21)	.199 (5.05)	.185 (4.70)	1.07 (27.18)	----	LOOSE PIECE
192020029	BS-942-DKT	16-14	DARK BLUE	.087 (2.21)	.199 (5.05)	.185 (4.70)	1.07 (27.18)	.480 (12.19)	TAPE MOUNTED
192020131	BS -942-B	16-14	BLUE	.087 (2.21)	.199 (5.05)	.185 (4.70)	1.07 (27.18)	----	LOOSE PIECE



- NOTE(S):
1. MATERIAL: COPPER
  2. PLATING: ELECTRO-TIN
  3. INSULATION: 6/6 NYLON
  4. PARTS ARE ROHS COMPLIANT.

THIS DRAWING CONTAINS INFORMATION THAT IS PROPRIETARY TO MOLEX ELECTRONIC TECHNOLOGIES, LLC AND SHOULD NOT BE USED WITHOUT WRITTEN PERMISSION									
DIMENSION UNITS		SCALE		CURRENT REV DESC: OBSOLETE PART NUMBERS AS PER PCN#508521					
INCH/MM		NTS		<p><b>molex</b></p> <p>FUNNEL ENTRY SEAMLESS INSULKRIMP BUTT CONNECTOR</p> <p>PRODUCT CUSTOMER DRAWING</p> <p>EC NO: 667388 DRWN: SKANDB 2021/04/16 CHK'D: GGA 2021/07/05 APPR: GGA 2021/07/05</p> <p>INITIAL REVISION: DRWN: HBEITZEL 2000/07/18 APPR: RDEROSS 2000/07/18</p>					
GENERAL TOLERANCES (UNLESS SPECIFIED)									
	MM	INCH							
4 PLACES	±		±						
3 PLACES	±		± 0.005						
2 PLACES	±	0.13	± 0.01						
1 PLACE	±	0.25	±						
0 PLACES	±		±						
ANGULAR TOL ± 0.5°				THIRD ANGLE PROJECTION		DRAWING		SERIES	
DRAFT WHERE APPLICABLE MUST REMAIN WITHIN DIMENSIONS						B-SIZE		19202	
DOCUMENT NUMBER		DOC TYPE		DOC PART		REVISION			
SD-19202-001		PSD		001		A3			
MATERIAL NUMBER		CUSTOMER		SHEET NUMBER					
SEE TABLE		GENERAL MARKET		1 OF 1					