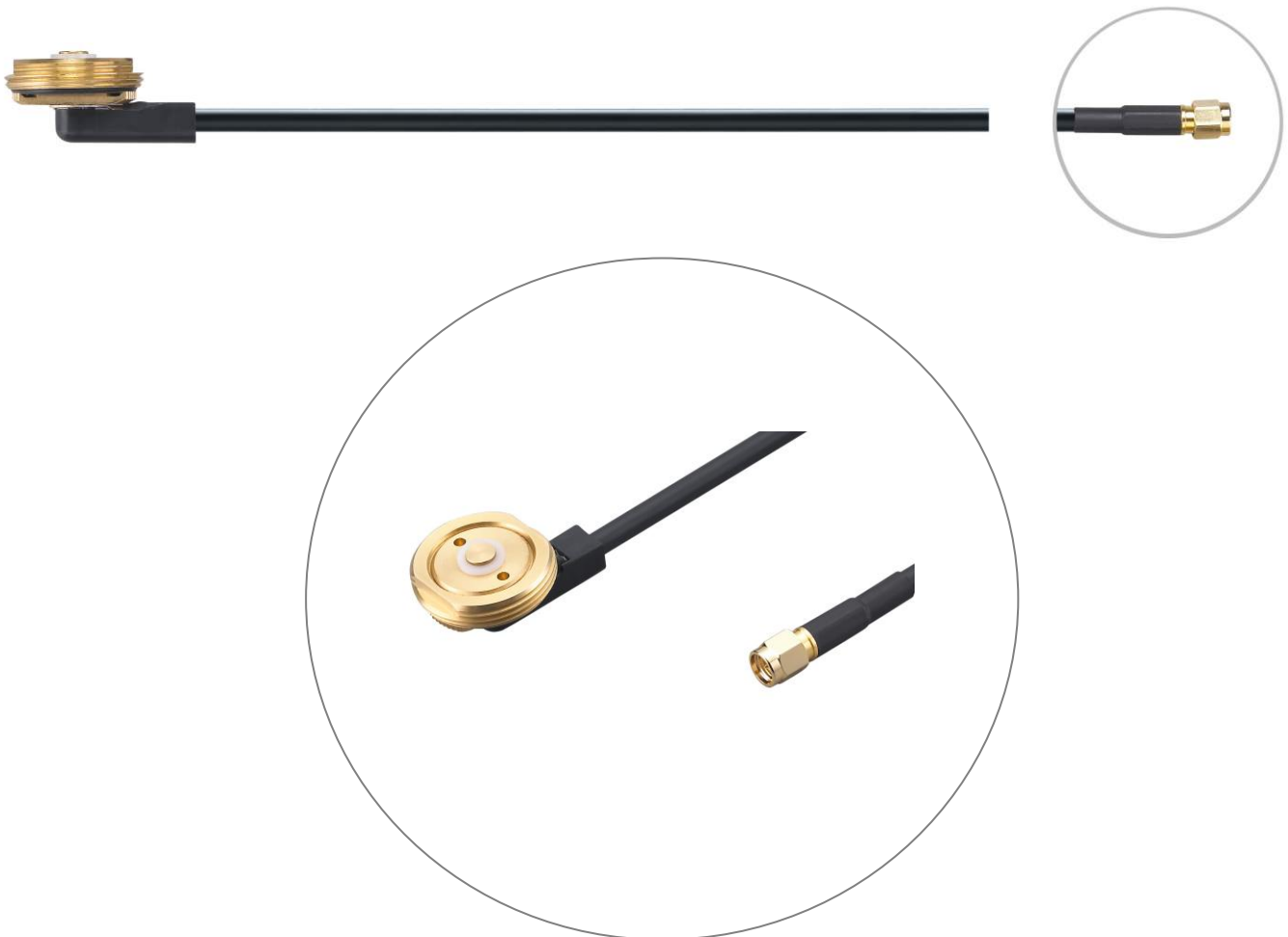


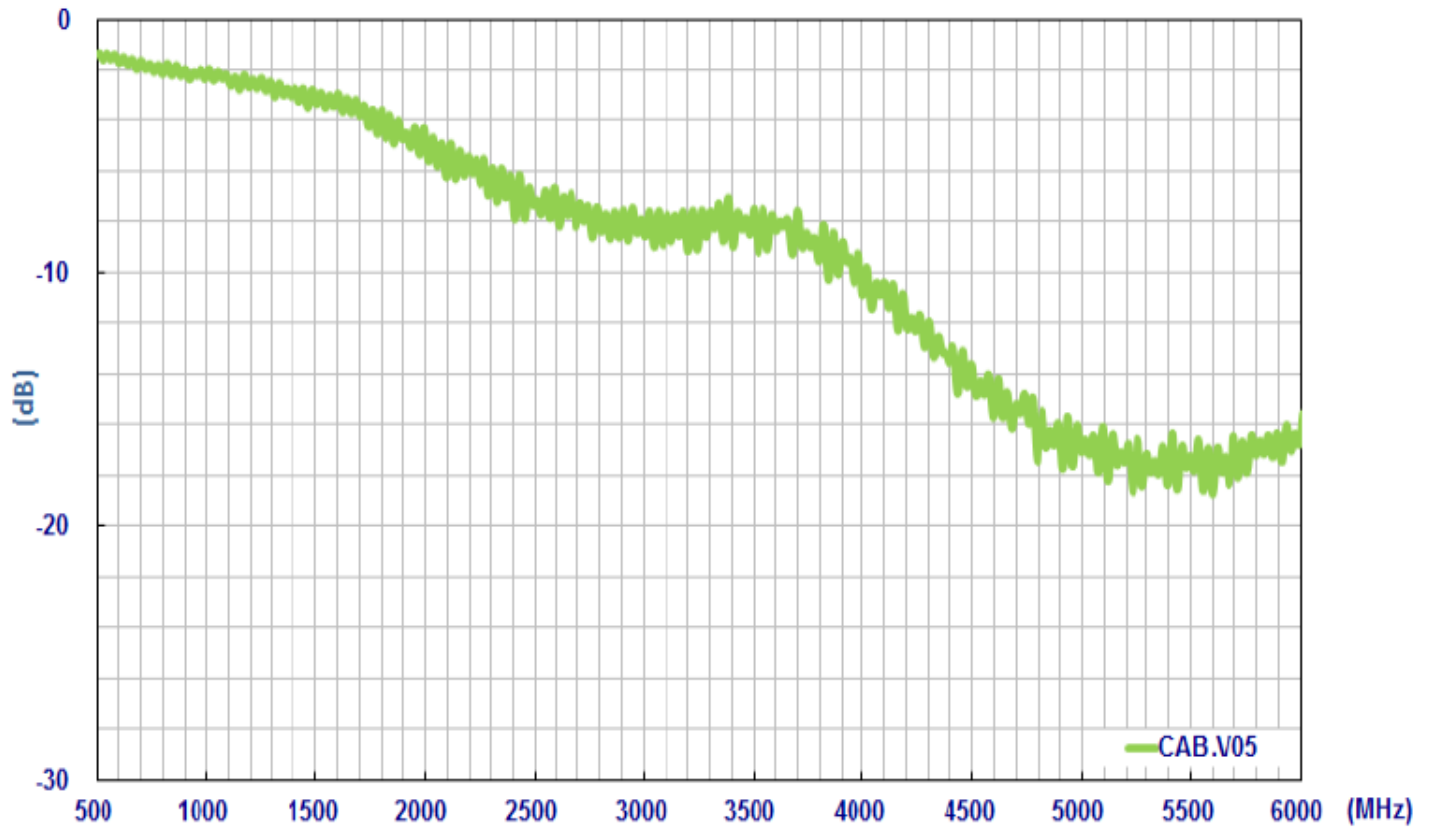
SPECIFICATION

Part No. : **CAB.V05**
Product Name : Taoglas Cable Assembly
NMO Direct Mount - 3/4 inch Hole Brass Mount type to
SMA(M) Straight Plug
with 3M CFD-200 cable

Photo :

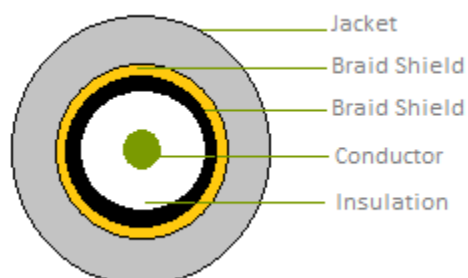


1. Cable Insertion Loss

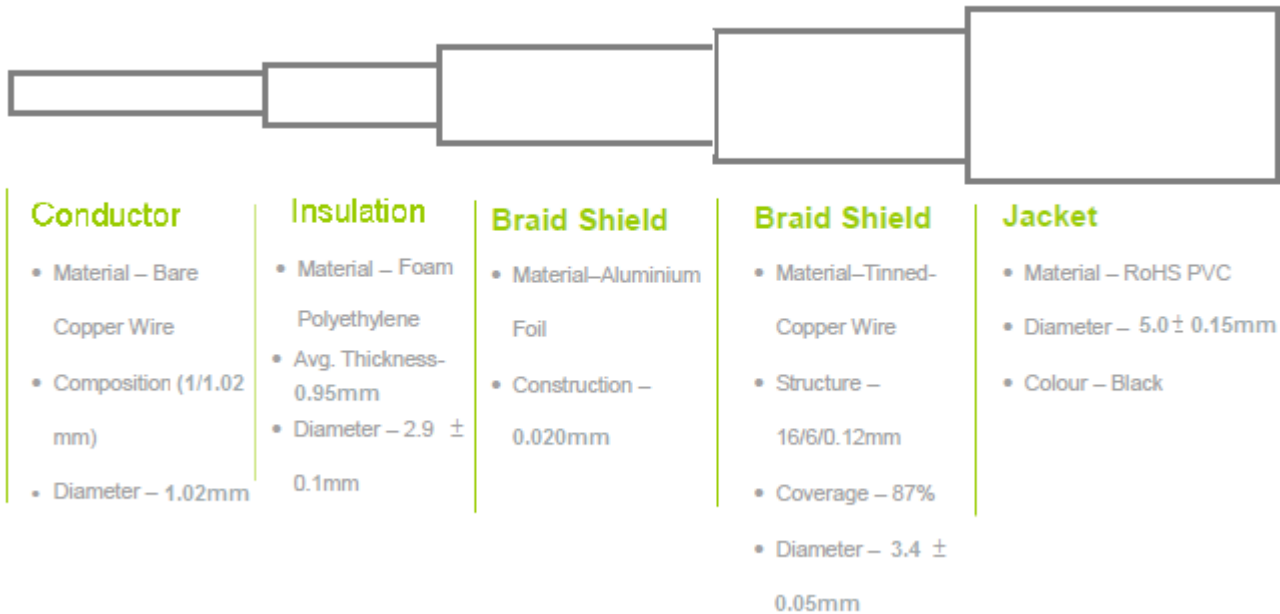


2. CFD-200 Cable Specification

2. Drawing – Cross Section



2.2 Structure and Dimensions

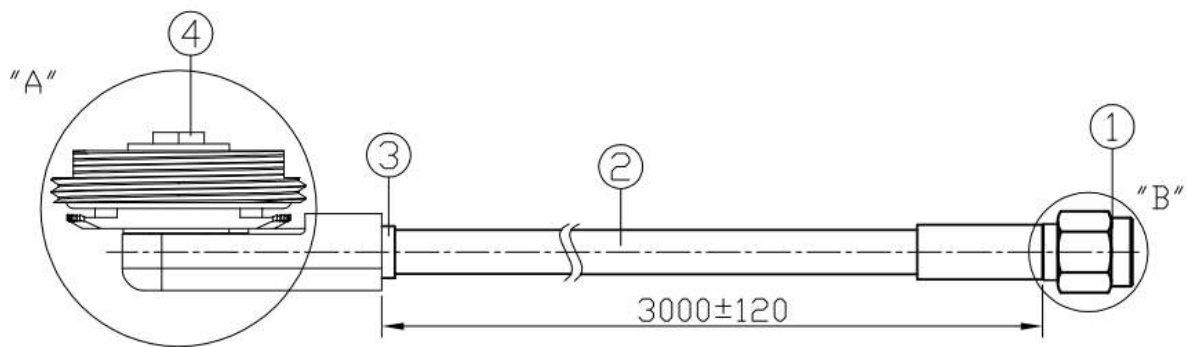


2.3 Electrical & Physical Specification

ELECTRICAL						
Attenuation	150MHz	450MHz	900MHz	1500MHz	1800MHz	2500MHz
dB/100M	12.1	21.6	31.2	41.1	45.3	54.4
Insulation Resistance	1000 MΩ-Km (Min)					
Capacitance	80.4 ± 3 pF/m					
Nom. Impedance	53 ± 3 Ω					
MECHANICAL						
Cable Type	CFD-200 coaxial cable					
Cable length	3 Meters					
Connectors	NMO Direct Mount - 3/4 inch Hole Brass Mount type SMA (M)					
Connector Max. Torque	0.9N·m					
Weight	180g					
ENVIRONMENTAL						
Temperature Range	-40°C to 85°C					
Humidity	Non-condensing 65°C 95% RH					

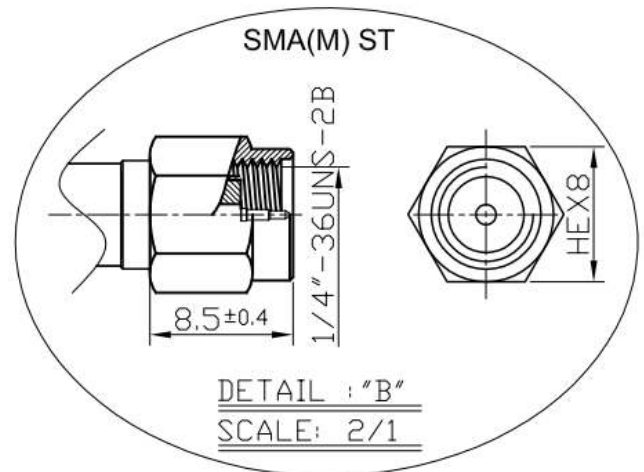
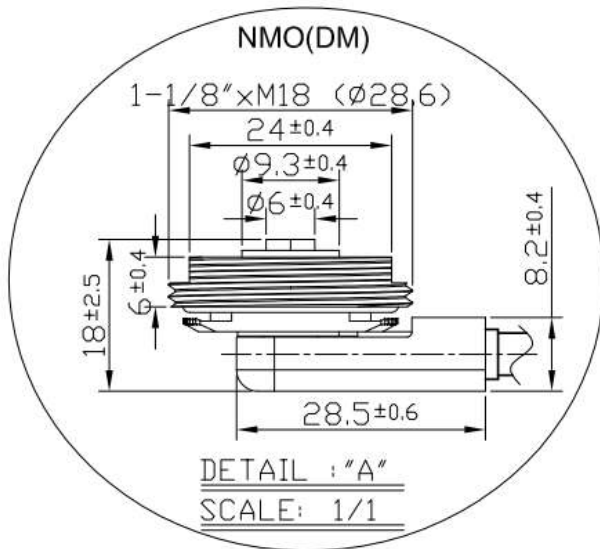
3. Technical Drawing

3.1 CAB.V05

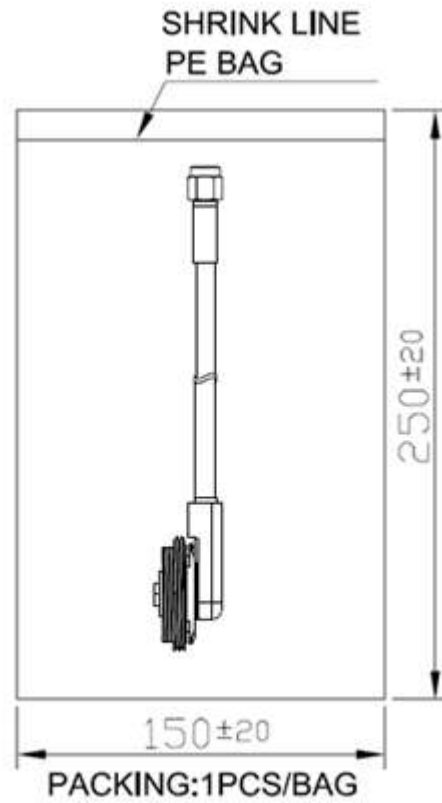


	Name	Material	Finish	QTY
1	SMA(M) ST	Brass	Gold	1
2	CFD200 Coaxial Cable	PVC	Black	1
3	Heat Shrink Tube	PE	Black	1
4	NMO(DM)	Brass	Gold	1

3.2 Connectors



4. Packaging



Unit: mm