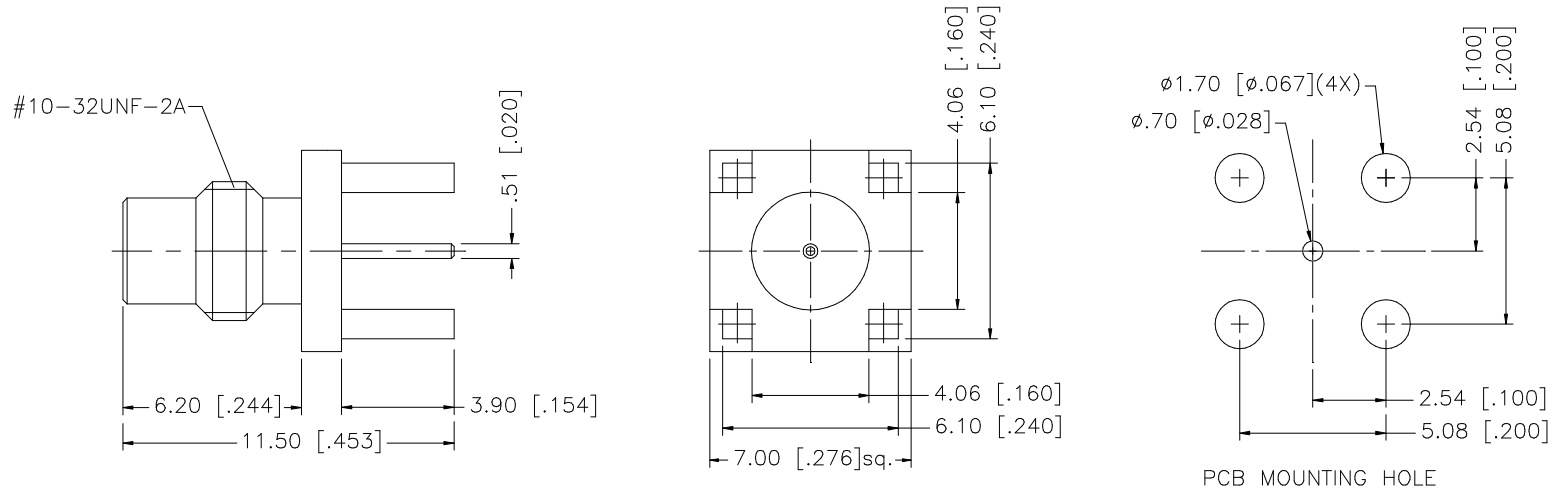


REV.	DATE	DESCRIPTION
NC	07/15/03	INITIAL RELEASE



REV.	DATE	DESCRIPTION
NC	07/15/03	INITIAL RELEASE

8					<p>UNLESS OTHERWISE SPECIFIED DIMENSIONS ARE IN MILLIMETERS. DIMENSIONS IN [ ] ARE IN INCHES AND FOR CUSTOMER REFERENCE ONLY.</p> <p>UNLESS OTHERWISE SPECIFIED TOLERANCES FOR MILLIMETERS ARE:  0.5 - 8mm <math>\pm</math> 0.20mm  8 - 30mm <math>\pm</math> 0.40mm  30 - 120mm <math>\pm</math> 0.50mm</p> <p>UNLESS OTHERWISE SPECIFIED TOLERANCES FOR INCHES ARE:  .020 - .315 = <math>\pm</math> 0.007"  .315 - 1.180 = <math>\pm</math> 0.015"  1.180 - 4.724 = <math>\pm</math> 0.020"</p> <p>DO NOT SCALE DRAWING</p>	APPROVALS	DATE	<h1 style="color: blue;">Amphenol Connex</h1>	
7				DRAWN		G.R.S.	07/15/03		<p>PART DESCRIPTION</p> <p style="text-align: center;">SMC P.C. MOUNT JACK - 75ohm</p>
6				CHECKED					
5				ISSUED					
4				SHEET		1 OF 1			
3	CONTACT PIN	BRASS	GOLD	1				PART NO.	152119-75
2	INSULATOR	TEFLON	NATURAL	1				DWG. NO.	152119-75.DWG
1	BODY	BRASS	GOLD	1				REV.	NC
	DESCRIPTION	MATERIAL	FINISH	QTY		CAD FILE	SIZE	A	
						C:/152/152119-75.DWG	SCALE	NA	