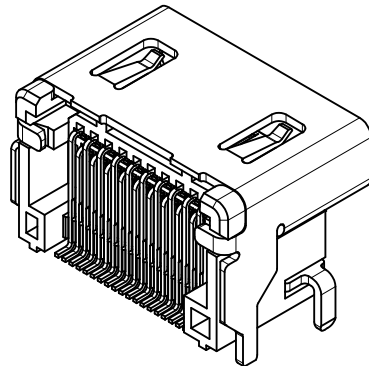
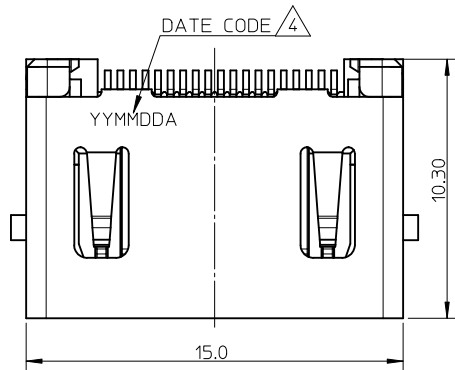


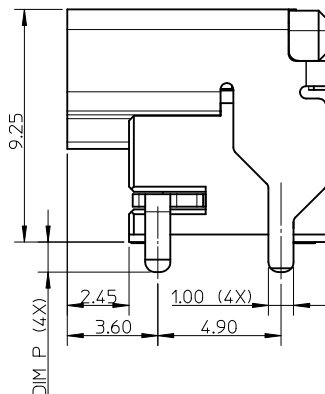
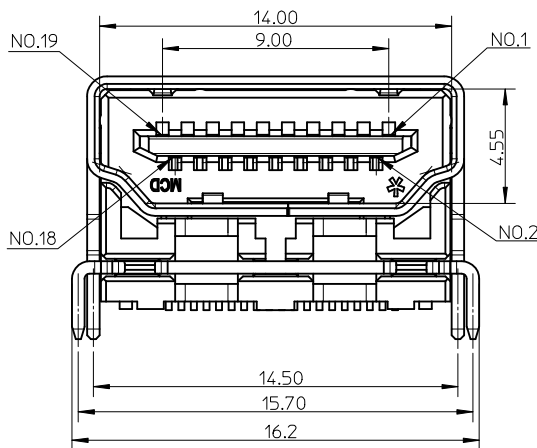
F



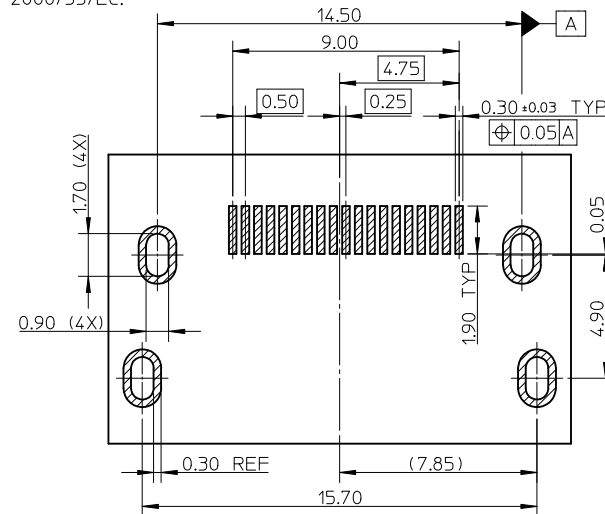
NOTES:

- MATERIAL:  
HOUSING: HIGH TEMPERATURE THERMAL PLASTIC. COLOR: BLACK.  
SHELL/PEG: COPPER ALLOY.  
TERMINAL: COPPER ALLOY.
- PLATING:  
TERMINAL:  
CONTACT AREA: SEE TABLE.  
SOLDER AREA: 1 MICRON MIN. TIN-BISMUTH PLATING.  
UNDER PLATE: 1.27 MICRON MIN. NICKEL PLATING.  
SHELL/PEG: 1.27 MICRON MIN. SOLDERABLE NICKEL PLATING OVER 0.75 MICRON NICKEL PLATING OVERALL.
- COPLANARITY OF ALL TERMINALS IS 0.10mm MAX.
- $\triangle/4$  DATE CODE: 'YYMMDDA', 'YY' REPRESENTS YEAR, 'MM' REPRESENTS MONTH, 'DD' REPRESENTS DATE, 'A' REPRESENTS SHIFT.
- PRODUCT SPECIFICATION: PS-105156-001, TBA FOR PD/NI OPTION.
- PACKAGE SPECIFICATION: PK-105156-001.
- PRODUCT COMPLIANT TO RoHS DIRECTIVE 2002/95/EC AND ELV DIRECTIVE 2000/53/EC.

E

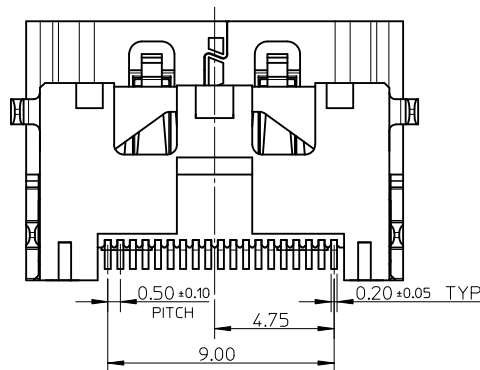


105156-1009	GOLD FLASH OVER PD/NI	
105156-1006	0.76 MICRON MIN. GOLD PLATING	1.20
105156-1007	0.38 MICRON MIN. GOLD PLATING	
105156-1008	GOLD FLASH	
105156-1108	GOLD FLASH	1.00
P/N	CONTACT AREA PLATING	DIM P±0.15



RECOMMENDED PCB LAYOUT (CONNECTOR SIDE)  
THICKNESS=1.20mm, GENERAL TOLERANCE: ±0.10

B



A

ADD NEW P/N EC NO: S2012-0578 DRWN: ZENG CHKD: JESSIECHUA APPR: MAOESHEN 2012/01/31 2012/03/15 2012/03/19	QUALITY SYMBOLS $F_A=0$ $F_G=0$ $F_P=0$	GENERAL TOLERANCES (UNLESS SPECIFIED)		DIMENSION STYLE MM ONLY	SCALE NTS	DESIGN UNITS METRIC	THIRD ANGLE PROJECTION		
		4 PLACES ± --- ± --- 3 PLACES ± --- ± --- 2 PLACES ± 0.20 ± --- 1 PLACE ± 0.30 ± ---	mm INCH ± --- ± --- ± 0.20 ± --- ± 0.30 ± ---	DRAWN BY XQZHANG	DATE 2010/05/28	TITLE SD DRAWING FOR HDMI RECEPTACLE RIGHT ANGLE TYPE			
		ANGULAR ± 1 °		CHECKED BY XJSONG	DATE 2010/05/28	MOLEX INCORPORATED			
		DRAFT WHERE APPLICABLE MUST REMAIN WITHIN DIMENSIONS		MATERIAL NO. SEE TABLE		DOCUMENT NO. SD-105156-100	SHEET NO. 1 OF 1		