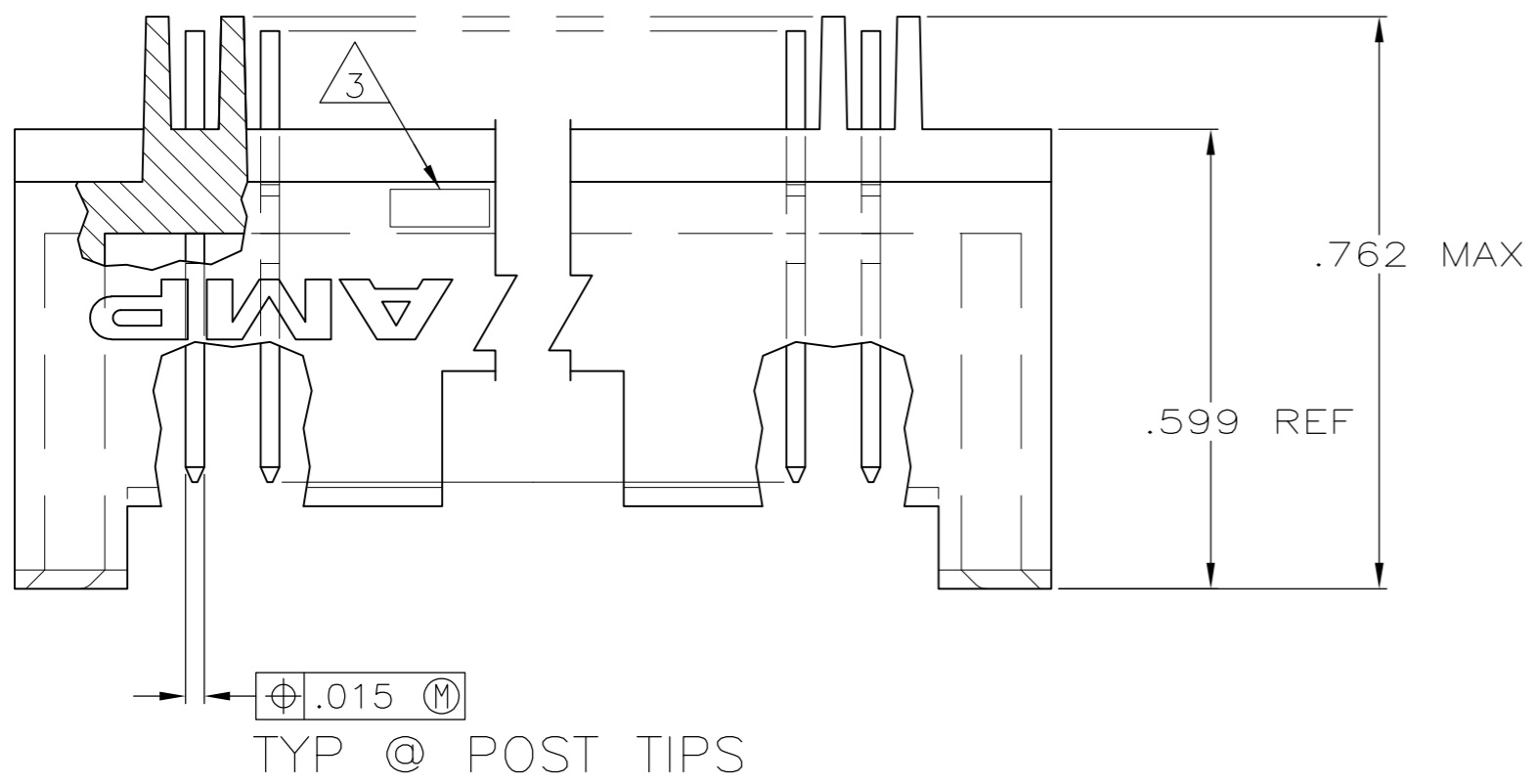
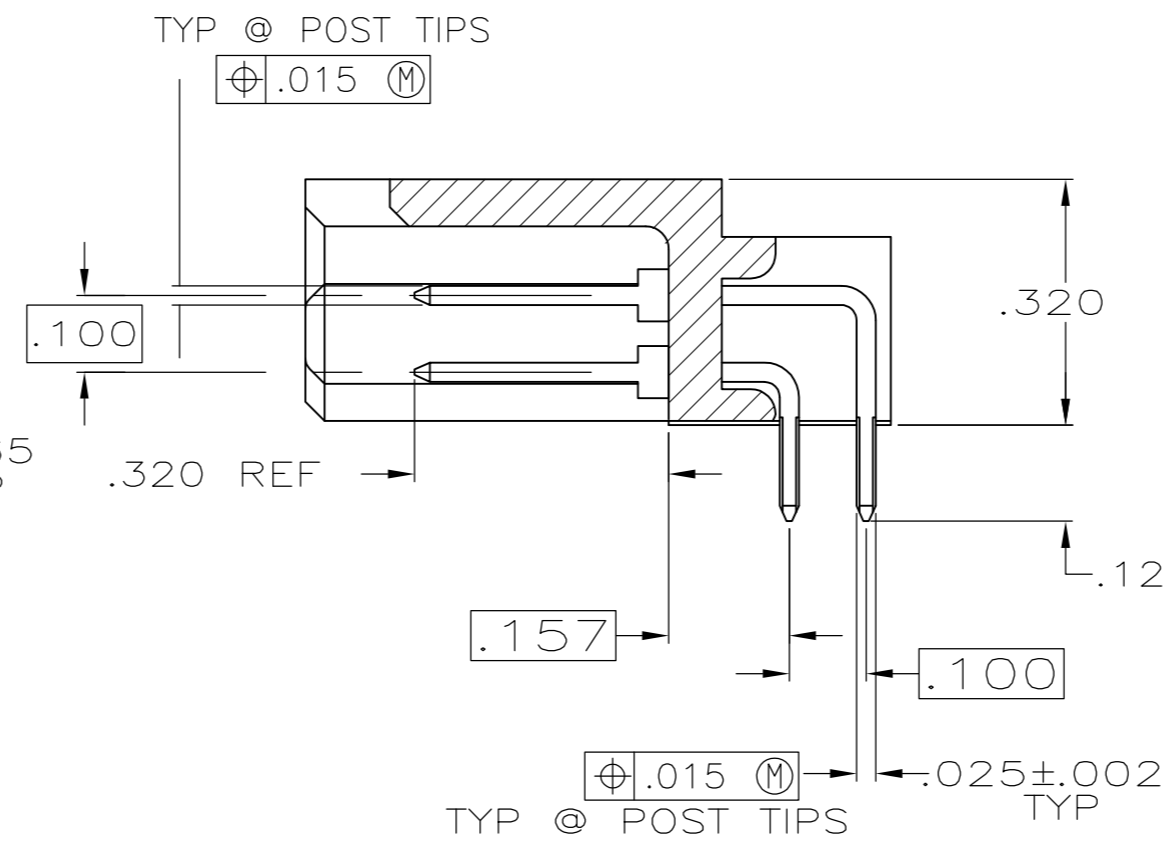
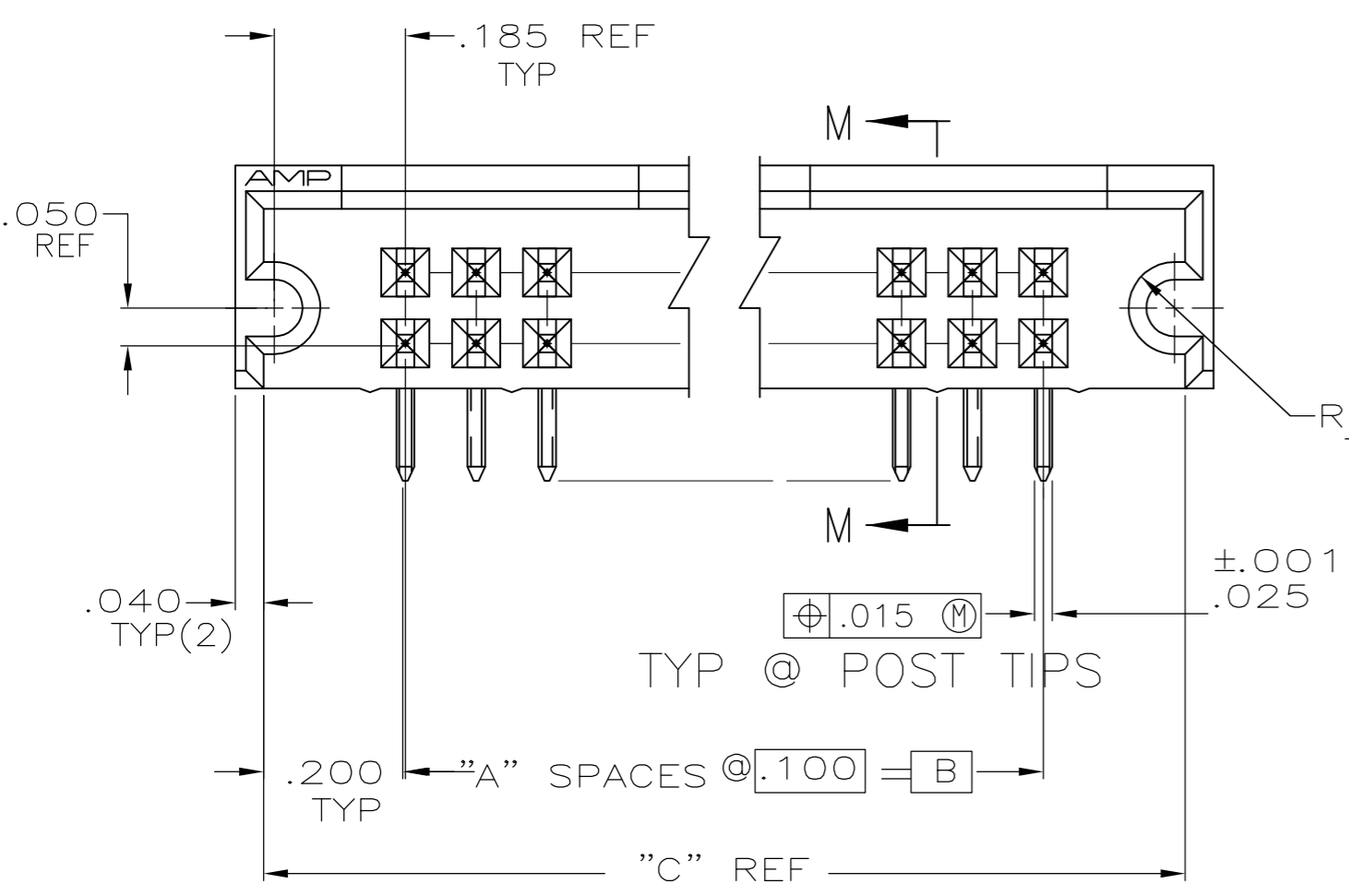


THIS DRAWING IS UNPUBLISHED. RELEASED FOR PUBLICATION
 © COPYRIGHT BY TYCO ELECTRONICS CORPORATION. ALL INTERNATIONAL RIGHTS RESERVED.

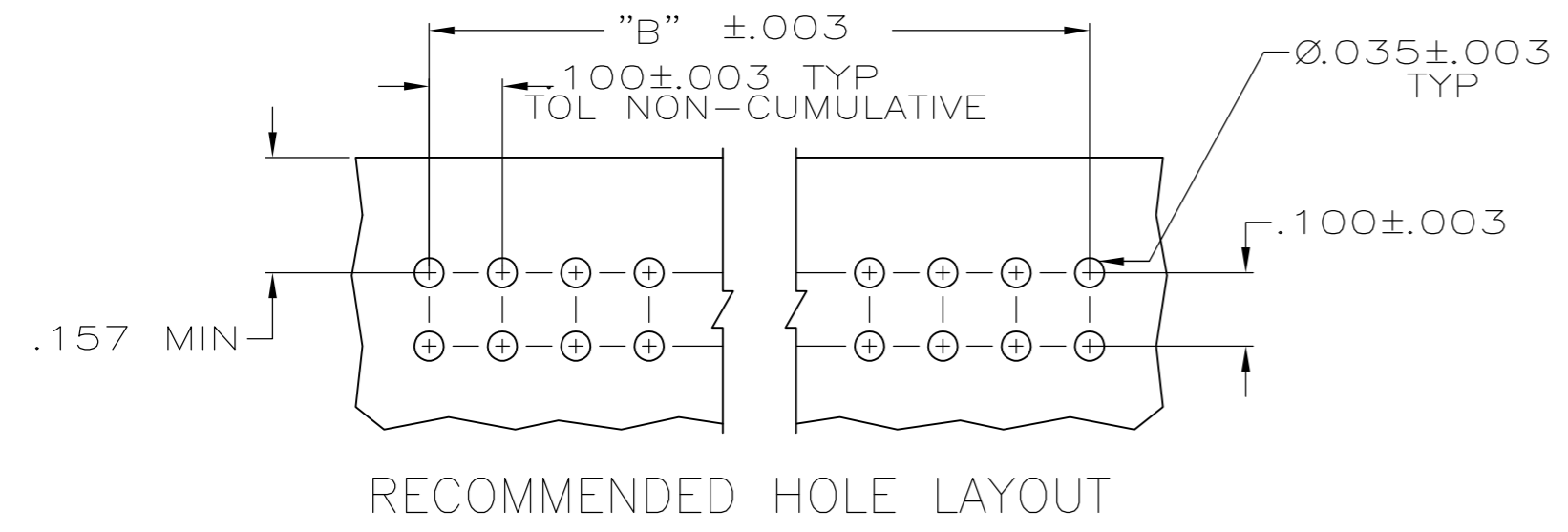
LOC	DIST	REVISIONS					
AD	00	P	LTR	DESCRIPTION	DATE	DWN	APVD
		L2		REVISED PER ECO-09-017580	30JUL09	HMR	JO
		L3		REVISED PER ECO-10-000445	20JAN10	KK	HMR



- 1 MATERIAL: HSG FLAME RETARDANT THERMOPLASTIC, COLOR: BLACK. POSTS: PHOS BRONZE
- 2 .000030 GOLD ON CONTACT AREA, .000100-.000200 BRIGHT TIN-LEAD ON SOLDER LEADS, ALL OVER .000050 NICKEL
- 3 RECESSED DATE CODE AND CSA LOGO
- 4 .000030 GOLD ON CONTACT AREA, .000100-.000200 MATTE TIN ON SOLDER LEADS, ALL OVER .000050 NICKEL
- 5 ROHS 2002/95/EC COMPLIANT
- 6 PRELIMINARY PART
- 7 OBSOLETE PARTS: OBSOLETE CIS STREAMLINING PER D.RENAUD/D.SINISI



SECTION M-M



FINISH	"C"	"B"	"A"	NO OF POSN	PART NUMBER
4	1.000	.600	6	14	7-102802-6
4	.800	.400	4	10	7-102802-5
4	8.300	7.900	79	160	7-102802-4
4	2.500	2.100	21	44	7-102802-3
4	7.700	7.300	73	148	7-102802-2
4	6.800	6.400	64	130	6-102802-9
4	4.600	4.200	42	86	6-102802-8
4	3.900	3.500	35	72	6-102802-7
4	1.800	1.400	14	30	6-102802-6
4	1.300	.900	9	20	6-102802-5
4	1.100	.700	7	16	6-102802-4
4	1.500	1.100	11	24	6-102802-3
4	.900	.500	5	12	6-102802-2
4	-	-	-	-	-
4	4.800	4.400	44	90	6-102802-0
4	3.300	2.900	29	60	5-102802-9
4	2.300	1.900	19	40	5-102802-8
4	3.800	3.400	34	70	5-102802-7
4	5.300	4.900	49	100	5-102802-6
4	4.300	3.900	39	80	5-102802-5
4	2.800	2.400	24	50	5-102802-4
4	2.100	1.700	17	36	5-102802-3
4	6.300	5.900	59	120	5-102802-2
4	-	-	-	-	-
4	.800	.400	4	10	2-102802-5
4	8.300	7.900	79	160	2-102802-4
4	2.500	2.100	21	44	2-102802-3
4	7.700	7.300	73	148	2-102802-2
4	6.800	6.400	64	130	1-102802-9
4	4.600	4.200	42	86	1-102802-8
4	3.900	3.500	35	72	1-102802-7
4	1.800	1.400	14	30	1-102802-6
4	1.300	.900	9	20	1-102802-5
4	1.100	.700	7	16	1-102802-4
4	1.500	1.100	11	24	1-102802-3
4	.900	.500	5	12	1-102802-2
4	-	-	-	-	-
4	4.800	4.400	44	90	1-102802-0
4	3.300	2.900	29	60	102802-9
4	2.300	1.900	19	40	102802-8
4	3.800	3.400	34	70	102802-7
4	5.300	4.900	49	100	102802-6
4	4.300	3.900	39	80	102802-5
4	2.800	2.400	24	50	102802-4
4	2.100	1.700	17	36	102802-3
4	6.300	5.900	59	120	102802-2

THIS DRAWING IS A CONTROLLED DOCUMENT.

DWN B. HAYMAKER 30MAR00
 CHK J. GESFORD 30MAR00
 APVD J. GESFORD 30MAR00
 PRODUCT SPEC
 APPLICATION SPEC

TOLERANCES UNLESS OTHERWISE SPECIFIED:
 0 PLC ± -
 1 PLC ± -
 2 PLC ± -
 3 PLC ± 0.13[.005]
 4 PLC ± -
 ANGLES ± -

FINISH SEE TABLE

THIS DRAWING IS UNPUBLISHED. RELEASED FOR PUBLICATION

Tyco Electronics Tyco Electronics Corporation
 Harrisburg, PA 17105-3608

NAME ASSY, HEADER, MOD II, .025 SQ POSTS
 .100X.100CL, DOUBLE ROW, RIGHT ANGLE
 WITH GUIDE PINS

SIZE A2 CAGE CODE 00779 DRAWING NO C=102802 RESTRICTED TO -

CUSTOMER DRAWING SCALE 4:1 SHEET 1 OF 1 REV L3