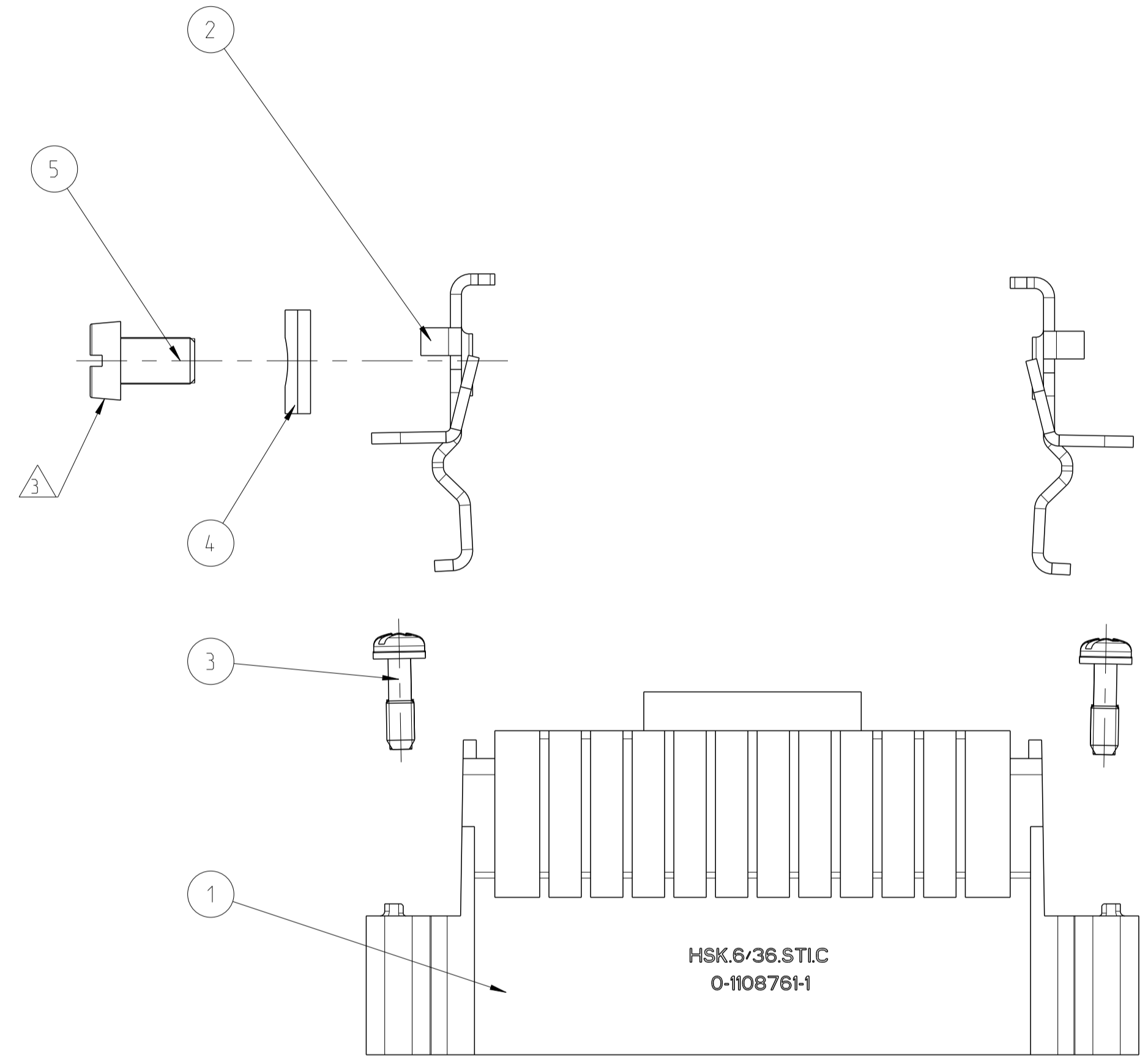
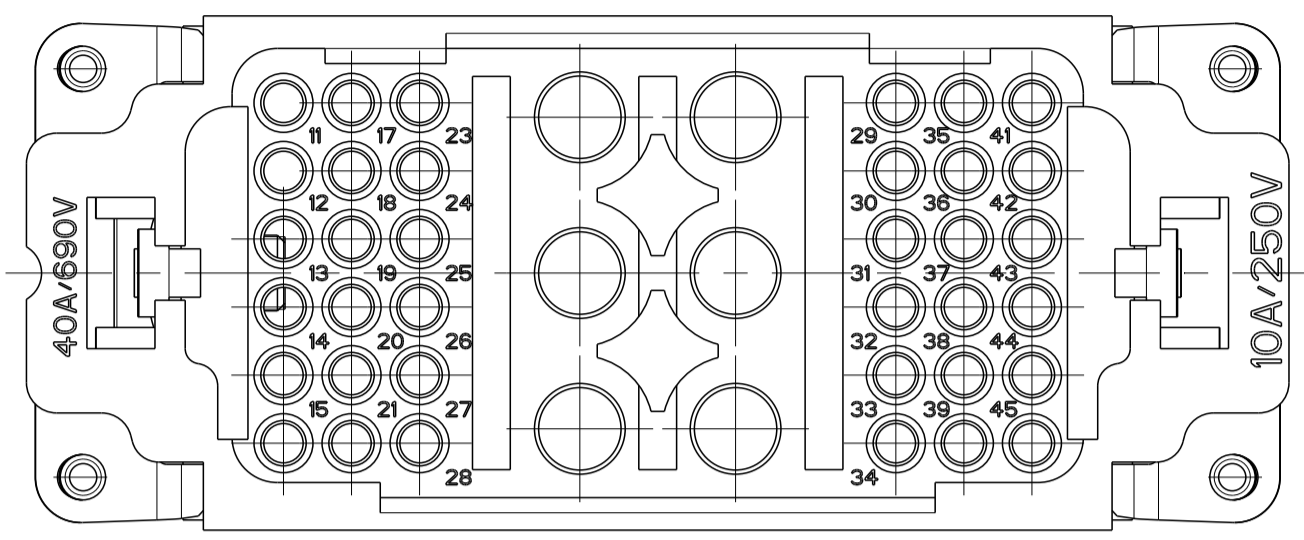
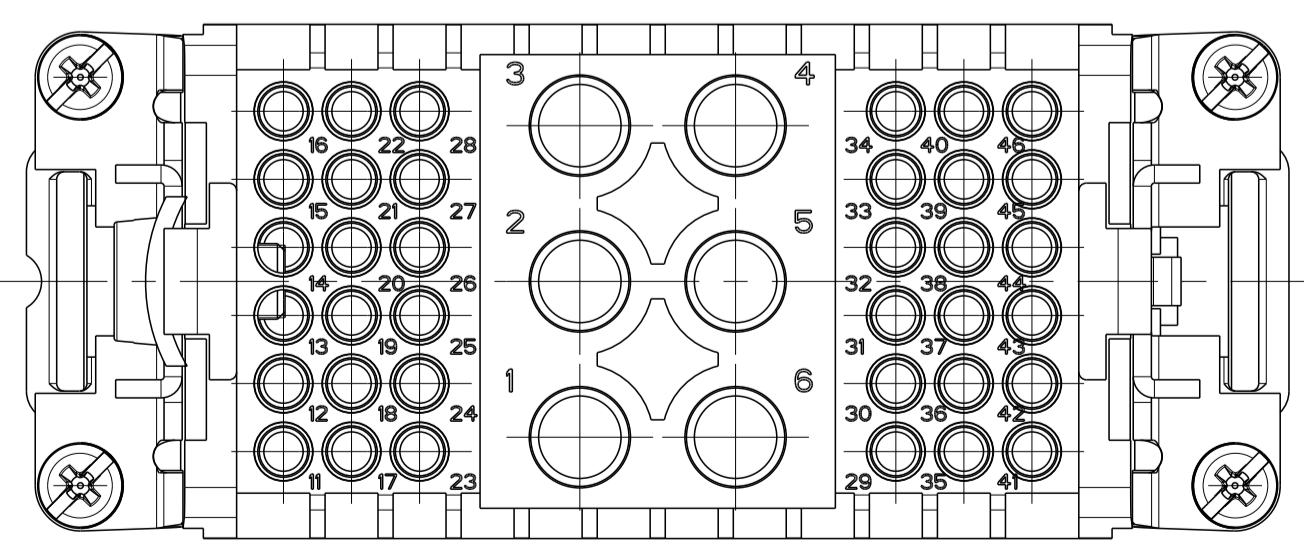


LOC	DIST	REVISIONS			
		REV	DATE	BY	CHK
A1	-	B1	09FEB2010	SR	ME
		B2	04APR2018	SG	MKO

PANEL CUT-OUT FOR CONTACT INSERT
 WHEN USED WITHOUT HOUSING

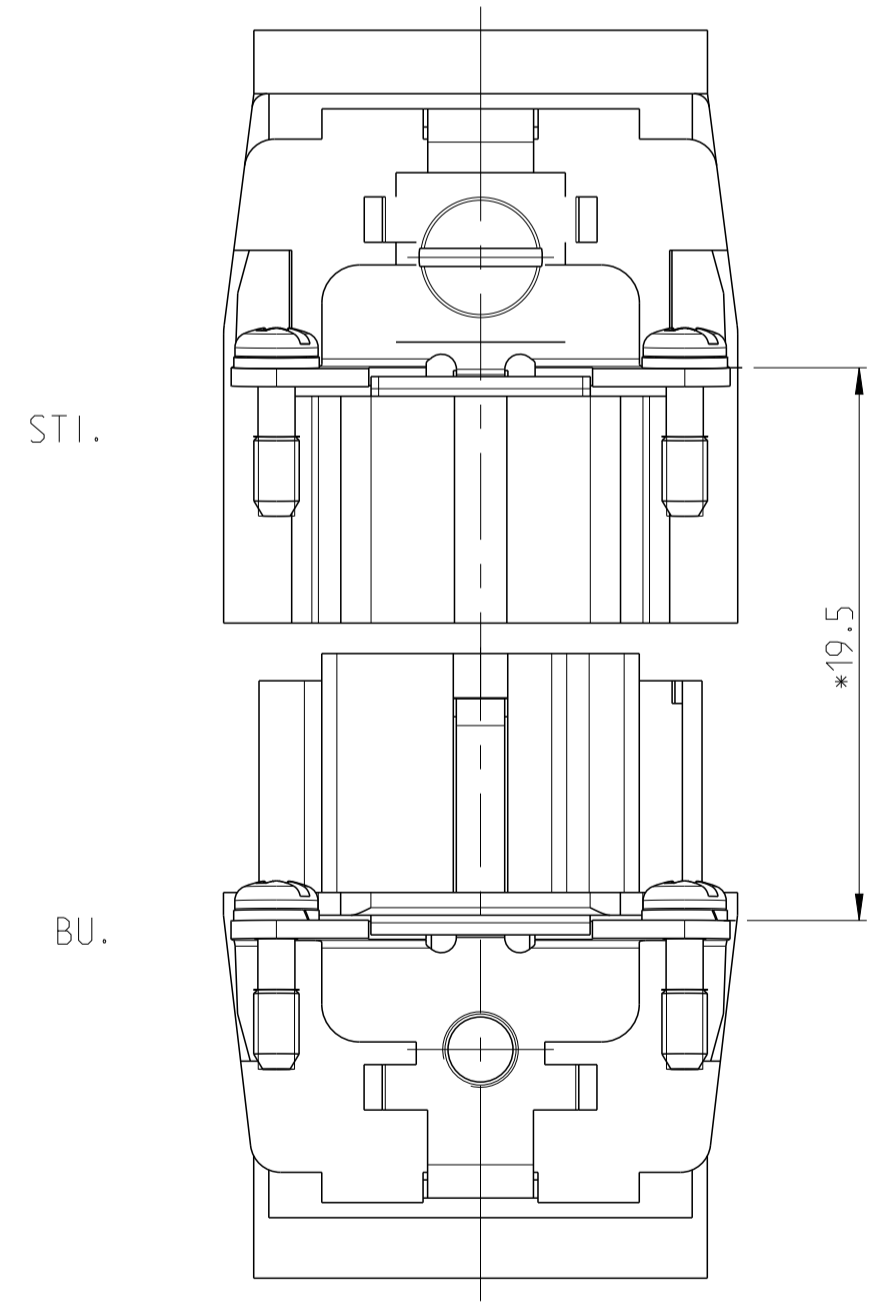


CONTACT ARRANGEMENT VIEW FROM
 TERMINATION SIDE



NOTES

- POVER CONTACT : 1 TO 12
 OUTER DIMENSIONS OF INSULATION: MAX. Ø6.5mm
 SIGNAL CONTACT: A AND B
 OUTER DIMENSIONS OF INSULATION: MAX. Ø3.2mm
- SUITABLE HOOD SIZE 6
 SERIES HB, HD, EMV, AND HIP
- ⚠ GROUNDING CONTACT
- STANDARDS:
 DIN EN 61984; DIN EN 60664-1
- PACKAGING:
 5 PIECES IN A CARTON BOX



*DISTANCE ARRANGEMENT
 VIEW FROM TERMINATION SIDE

SUPERSEDED BY T2120422101-000

QTY	DESCRIPTION	MATERIAL	SURFACE	ITEM
1	CYLINDER SCREW, M5	STEEL	NICKEL PLATED	5
1	CLIP TAB	STEEL	NICKEL PLATED	4
4	FIXING SCREW ASSY	STEEL	NICKEL PLATED	3
2	GROUNDING CONTACT-SOCKET	Cu Zn37 F38	NICKEL PLATED	2
1	SOCKET INSERT	VALOX		1
0-1	HSK.6/36.Sti.C			

THIS DRAWING IS A CONTROLLED DOCUMENT.		OWN R.SCHNEIDER	09FEB2010	
DIMENSIONS: mm		CHK T.SCHNURPFEL	09FEB2010	
TOLERANCES UNLESS OTHERWISE SPECIFIED:		APVD		NAME
0 PLC	###	PRODUCT SPEC		MALE INSERT
1 PLC	###	APPLICATION SPEC		MALE INSERT HSK6/36
2 PLC	###	WEIGHT		SIZE CAGE CODE DRAWING NO
3 PLC	###	CUSTOMER DRAWING		A1 00779 C=1108761
4 PLC	###	SCALE		5:1 SHEET 1 OF 1
ANGLES	°	REV		B2
FINISH	µm	RESTRICTED TO		