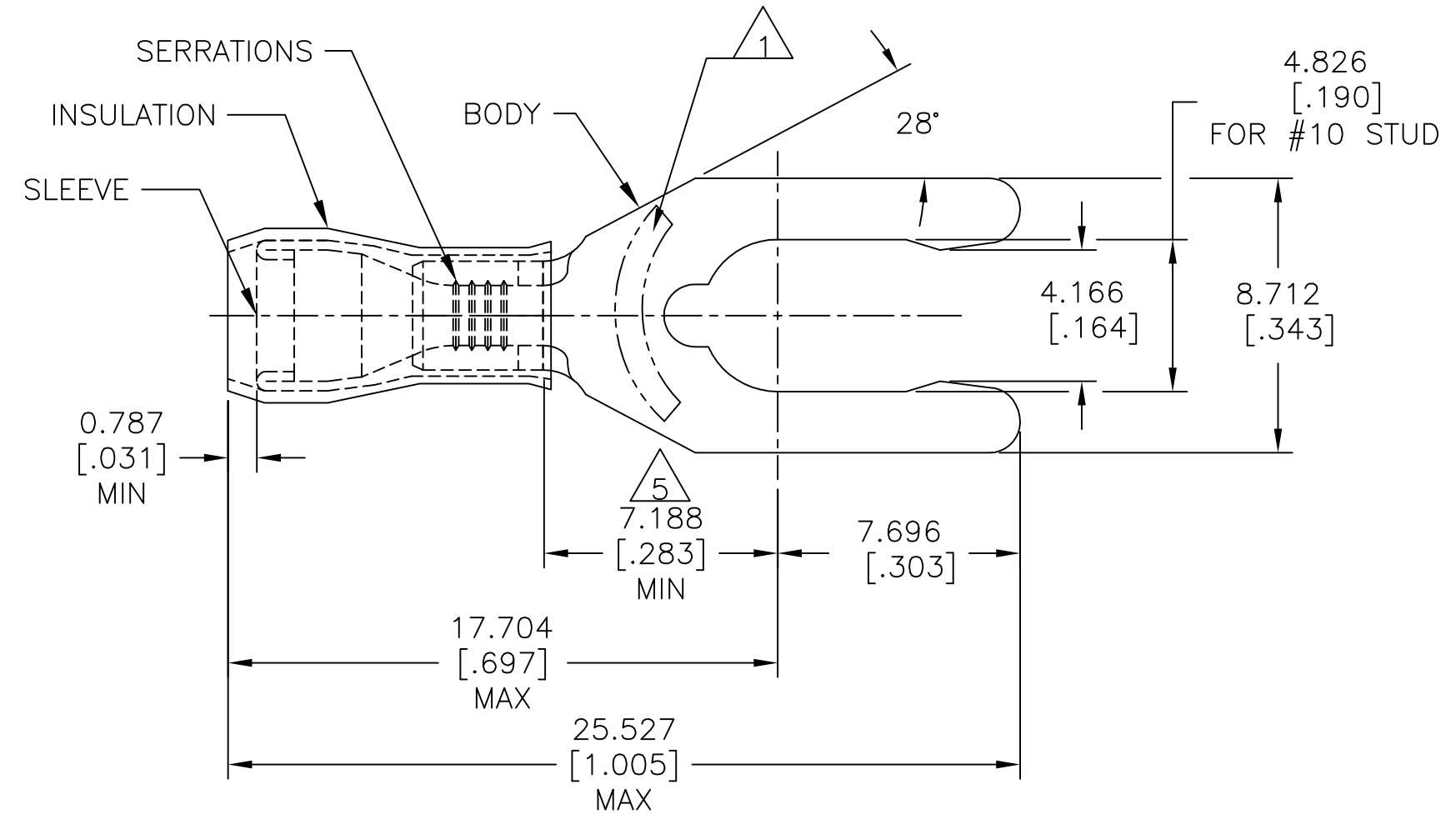


THIS DRAWING IS UNPUBLISHED. RELEASED FOR PUBLICATION
 © COPYRIGHT - TE Connectivity ALL RIGHTS RESERVED.

REVISIONS					
P	LTR	DESCRIPTION	DATE	DWN	APVD
	K1	REV PER ECR 10-009503	04MAY10	JR	TM
	K2	REVISED PER ECO-17-007400	29NOV2017	RS	DR

AMP WIRE RANGE	Listed FILE E13288	LR7189 Certified
22-16 AWG SOLID OR STRANDED	22-16 AWG SOLID OR STRANDED	22-16 AWG SOLID OR STRANDED



- 1 STAMP AMP 22-18* APPROX AS SHOWN
22-16 TERMINALS ARE STAMPED 22-18 IN ACCORDANCE WITH MILITARY SPEC SAE AS7928
COMMERCIAL WIRE RANGE IS 22-16.
- 2 WIRE INSULATION: $\phi 2.032-3.175[\phi .080-.125]$
- 3 BODY MATERIAL THK: $0.787\pm 0.051[.031\pm .002]$
- 4 MATERIAL: BODY - PHOS BRONZE PER ASTM B103
SLEEVE - CU PER ASTM B152
INSULATION - NYLON,
- 5 APPLIES FROM THE METAL EDGE OF BARREL TO CENTERLINE OF STUD.
- 6 FINISH: BODY & SLEEVE - TIN PLATE PER ASTM B545
INSUALTION - COLOR - RED.

RED	5000	ON TAPE, REEL	52411-1
RED	1000	LOOSE PIECE	52411
INSULATION COLOR	QTY	PACKAGING TYPE	PART NO.

CUSTOMER SERVICE SYSTEMS		MAX RECOMMENDED OPERATING TEMPERATURE: 105°C [221°F]	THIS DRAWING IS A CONTROLLED DOCUMENT.		DWN JR RUTH 04MAY10	TE Connectivity			
FOR ADDITIONAL PRODUCT INFORMATION OR COPIES OF DRAWINGS AND TECHNICAL DOCUMENTS	PRODUCT INFORMATION CENTER 1-800-522-6752	VOLTAGE RATING: 300 V MAX	DIMENSIONS: mm [INCHES]	TOLERANCES UNLESS OTHERWISE SPECIFIED:	CHK TOM MICHIELUTTI 04MAY10				
FOR APPLICATION TOOLING INFORMATION	TOOLING ASSISTANCE CENTER 1-800-722-1111	CIRCULAR MIL AREA: 0.26-1.65mm² [509-3260] SOLID OR STRANDED		0 PLC ± - 1 PLC ± - 2 PLC ± - 3 PLC ± 0.127[.005] 4 PLC ± - ANGLES ± 5°	APVD TOM MICHIELUTTI 04MAY10	PRODUCT SPEC UL 486 A-B			
FOR ORDER ENTRY	1-800-526-5142	THIS DRAWING IS A CONTROLLED DOCUMENT FOR AMP INCORPORATED. IT IS SUBJECT TO CHANGE AND THE CONTROLLING ENGINEERING ORGANIZATION SHOULD BE CONTACTED FOR THE LATEST REVISION.	MATERIAL 	FINISH 	APPLICATION SPEC 114-2157	SIZE A3	CAGE CODE 00779	DRAWING NO C=52411	RESTRICTED TO -
					CUSTOMER DRAWING	SCALE 4:1	SHEET 1 OF 1	REV K2	