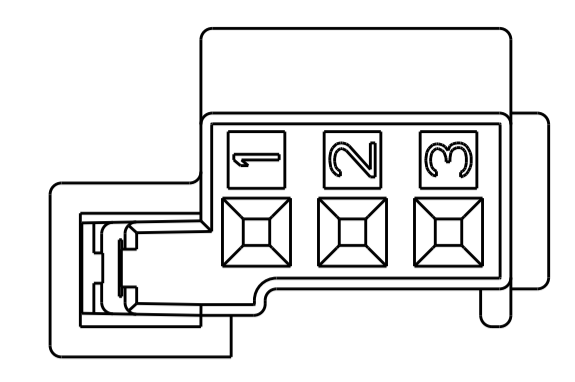
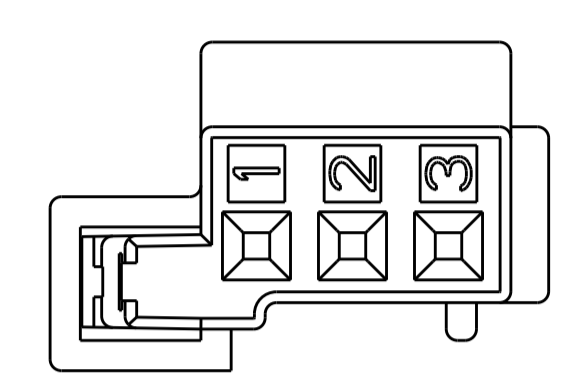


REVISIONS				
P.	LTN	DESCRIPTION	DATE	APVD
A		UPDATED VIEWS AND DIMENSIONS	18JAN2013	PR PR
A1		REVISED PER ECO-15-001850	10FEB2015	DD MB
A2		REVISED PER ECO-18-009997	26JUN2018	JMS AH

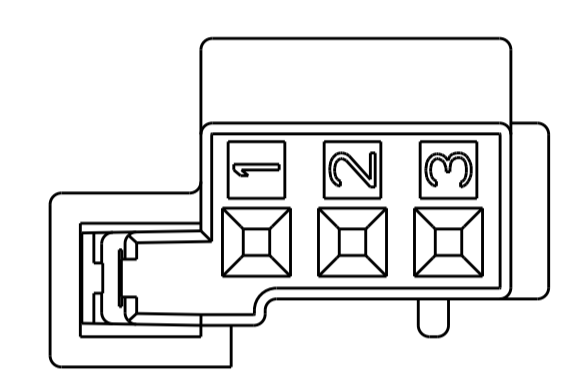
KEYING



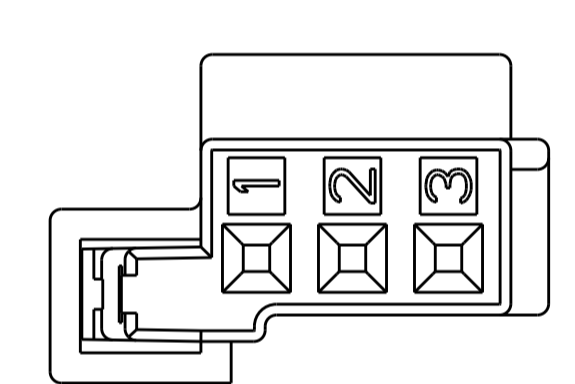
KEY CODE "A"
SCALE 5:1



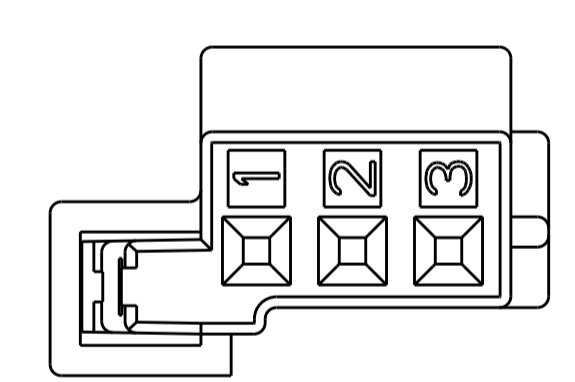
KEY CODE "B"
SCALE 5:1



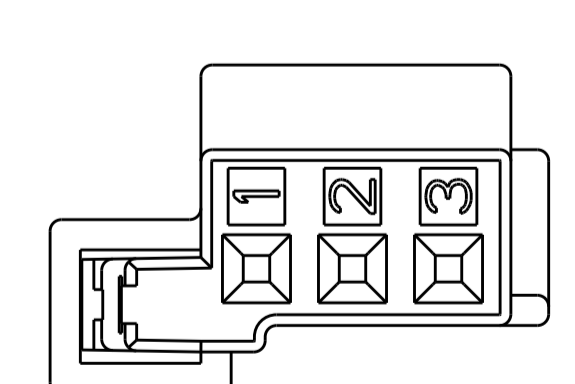
KEY CODE "C"
SCALE 5:1



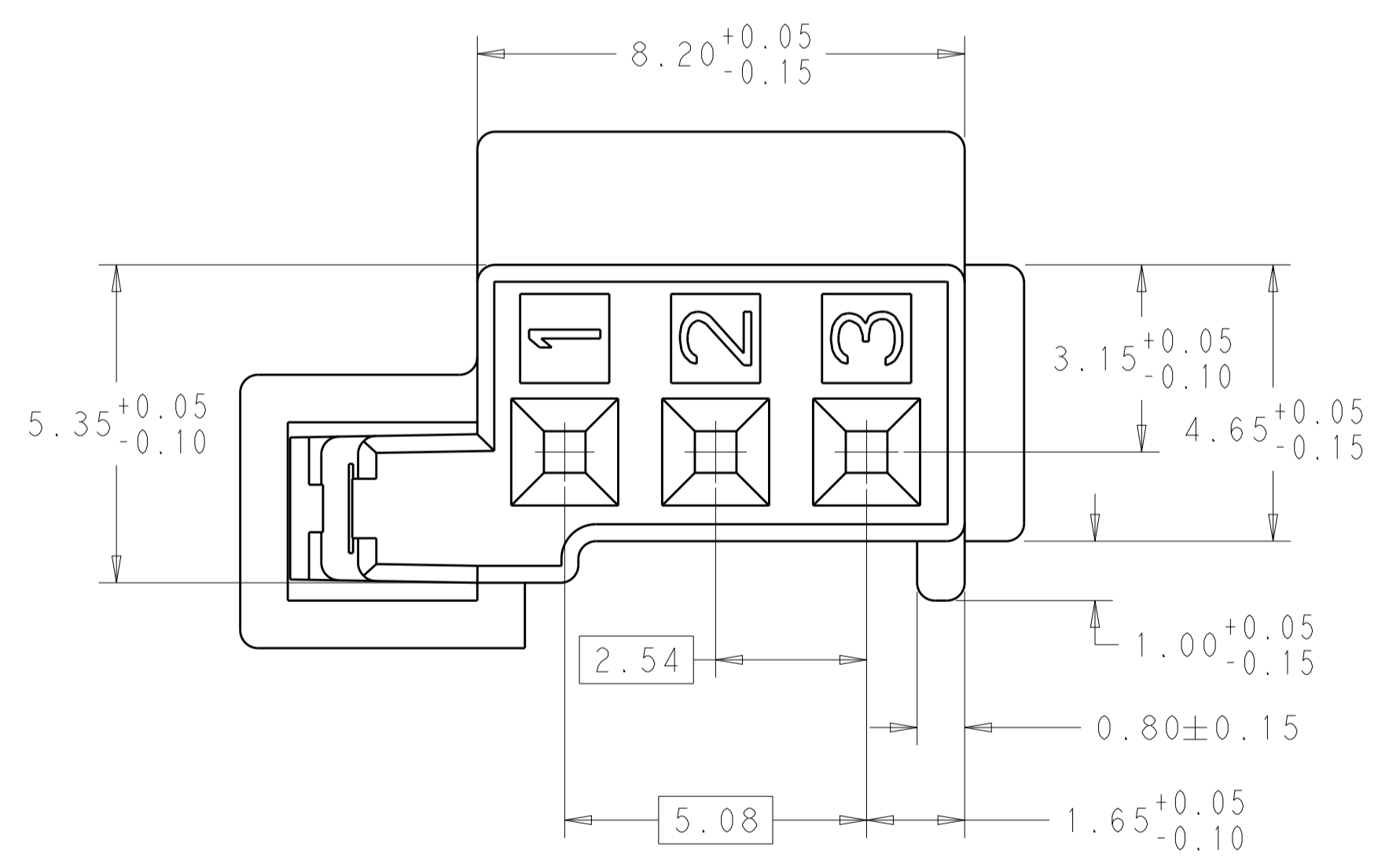
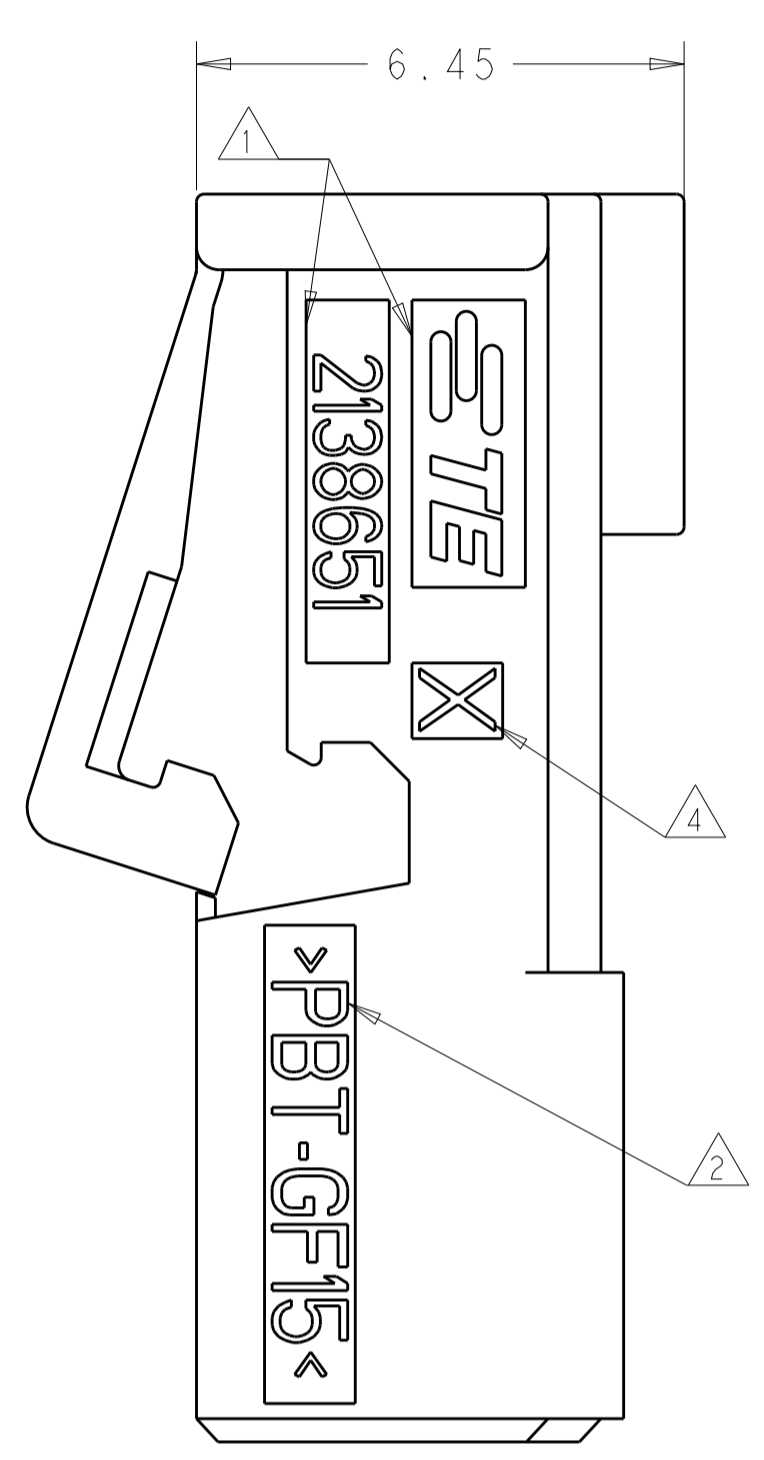
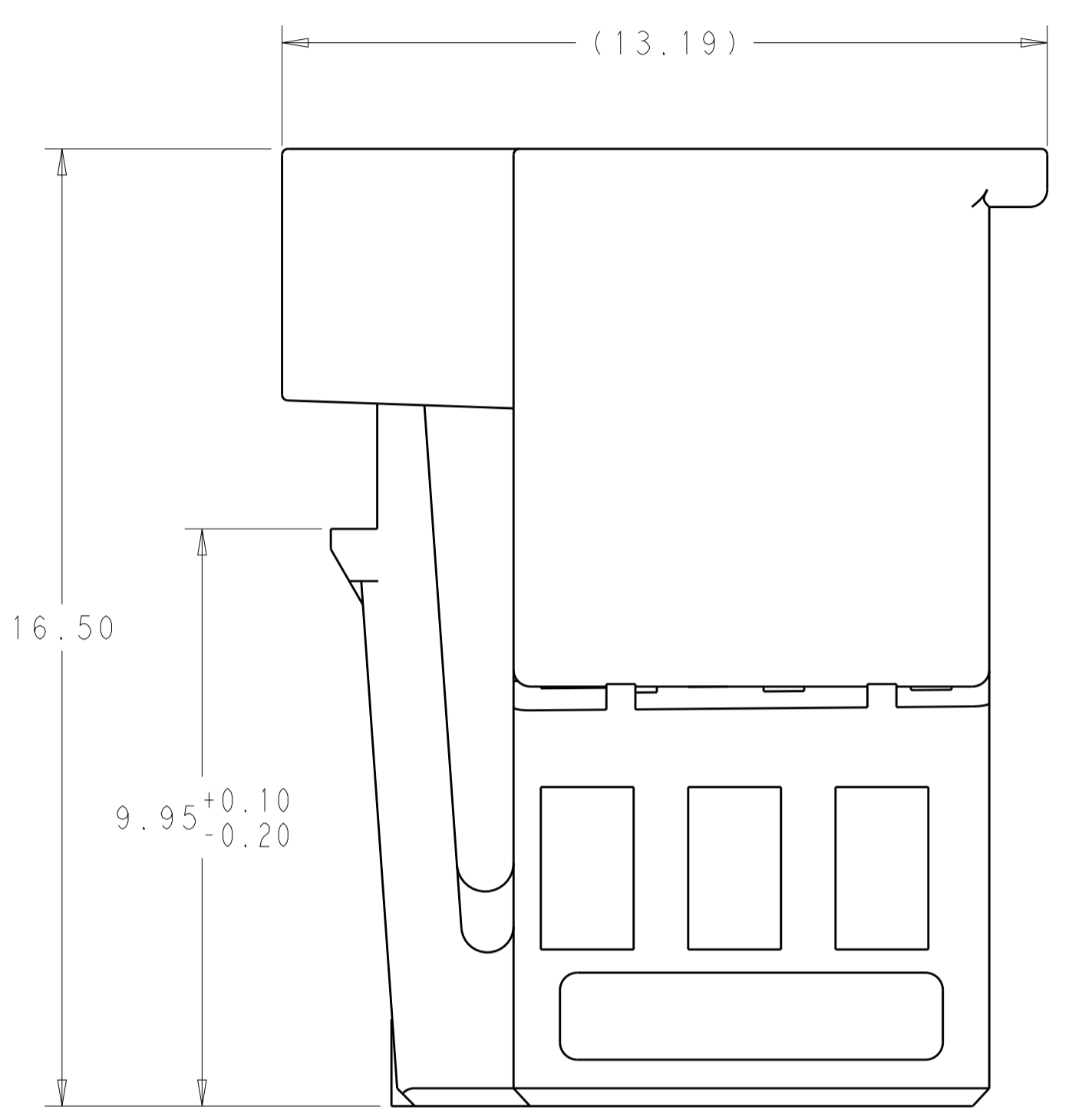
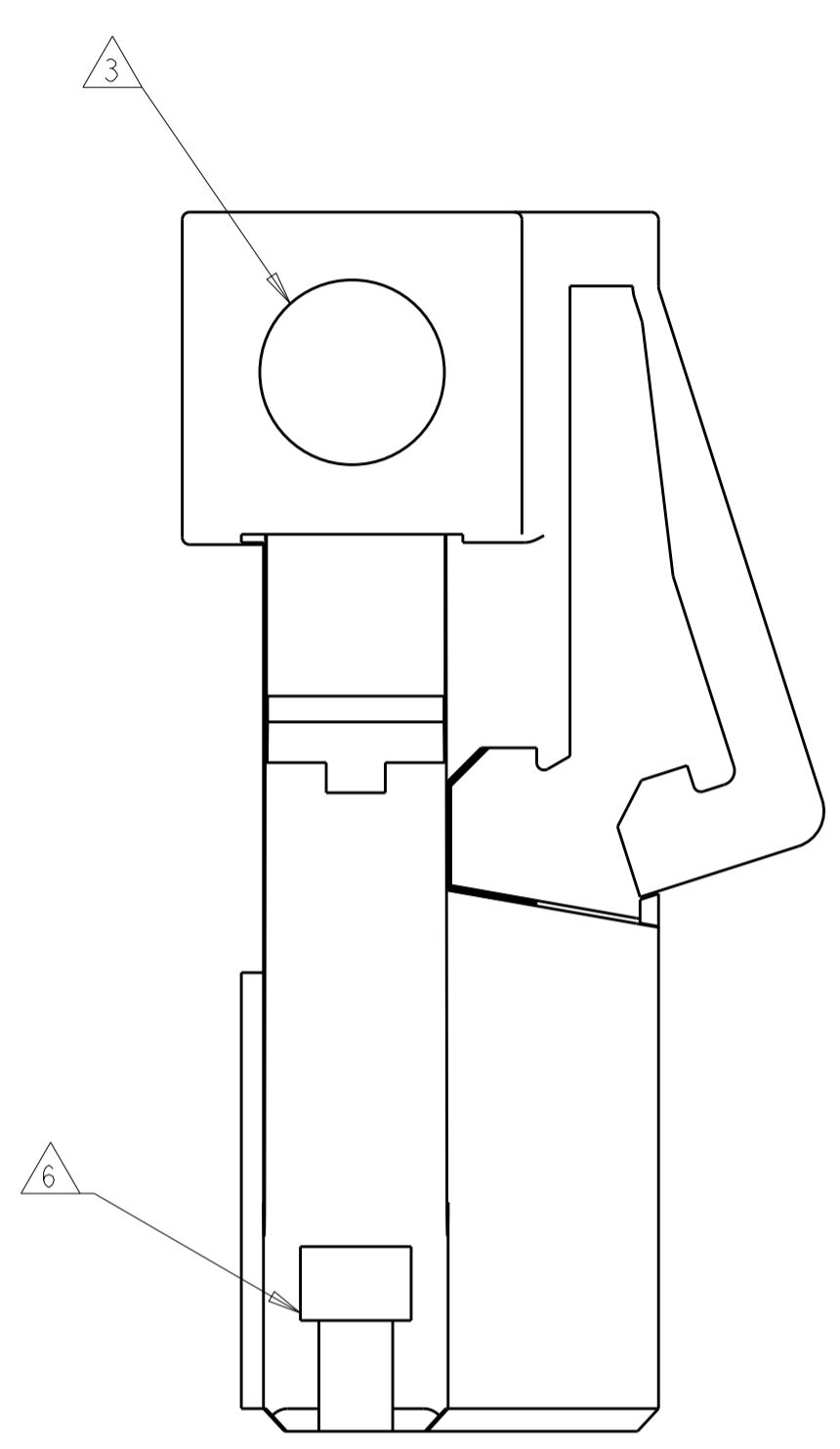
KEY CODE "D"
SCALE 5:1



KEY CODE "E"
SCALE 5:1



KEY CODE "F"
SCALE 5:1



PLUG HOUSING IN LOCKED POSITION (TPA ENGAGED)

UNMATE PLUG FROM HEADER WITH SCREW DRIVER
RECOMMENDED SIZE: 50 X 2.5mm

PUSH DOWN IN SPACING BETWEEN PLUG LATCH WINDOW AND HEADER TO DEPRESS LATCH THEN ROTATE SCREWDRIVER TOWARDS HEADER TO REMOVE PLUG FROM HEADER ASSEMBLY

NOTE(S):

- 1 COMPANY LOGO AND PART NUMBER
- 2 MATERIAL IDENTIFIER
- 3 DATE CODE WHEEL
- 4 MOLD CAVITY ID
- 5. MAX WIRE SIZE RANGE FROM 0.75mm² FLR. SEE CABLE HARNESS FOR NUMBER OF CABLES. CURRENT CARRYING CAPACITY FOR CONTACT LOCATED IN MICRO QUADLOCK SYSTEM PRODUCT SPECIFICATION: 108-18030
- 6 OPTIONAL VOID CORING

COLOR	KEY	MATERIAL	DESCRIPTION	TE P/N
GREEN	E	PBT-GF15	3 POSN MQS PLUG HOUSING	5-2138651-1
VIOLET	D	PBT-GF15		4-2138651-1
NATURAL	B	PBT-GF15		2-2138651-1
BLACK	A	PBT-GF15		1-2138651-1

THIS DRAWING IS A CONTROLLED DOCUMENT.

DIMENSIONS: mm MATERIAL: 2 FINISH:	TOLERANCES UNLESS OTHERWISE SPECIFIED: 0 PLC ± 1 PLC ±0.3 2 PLC ±0.1 3 PLC ± 4 PLC ± ANGLES ±	OWN: R. SANTOSH 12OCT2011 CHK: P. ROMAN 12OCT2011 APVD: P. ROMAN 12OCT2011 NAME: P. ROMAN PRODUCT SPEC: APPLICATION SPEC: WEIGHT: CUSTOMER DRAWING	TE Connectivity STE PLUG HOUSING, 3P MQS UNSEALED (1-PIECE) SIZE: A1 CAGE CODE: 00779 DRAWING NO: C=2138651 SCALE: 10:1 SHEET: 1 OF 1 REV: A2
---	---	---	---