

THIS DRAWING IS UNPUBLISHED.

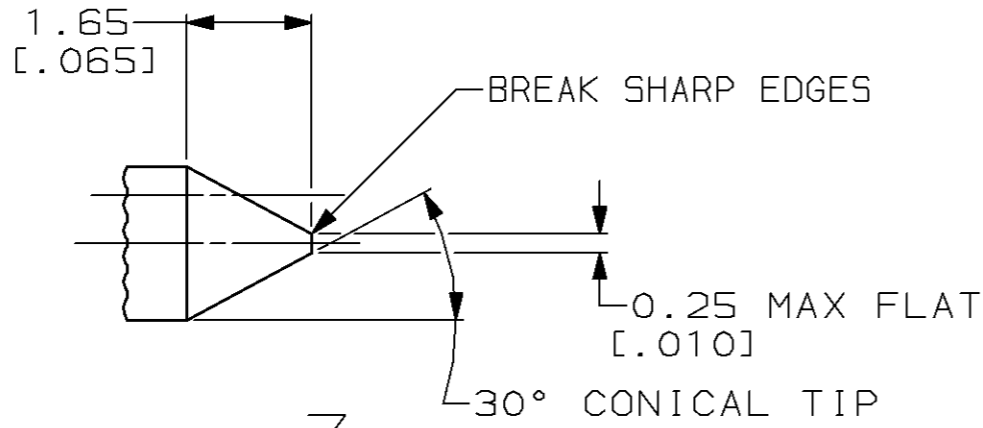
RELEASED FOR PUBLICATION

,19 .

© COPYRIGHT 19

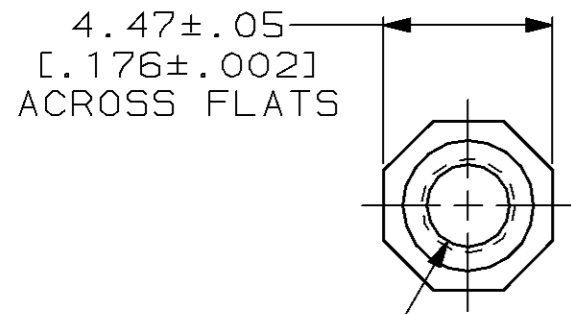
BY AMP INCORPORATED. ALL RIGHTS RESERVED.

LOC	DIST	REVISIONS			
P	LTR	DESCRIPTION	DATE	DWN	APVD
AD	25	D	REDRAWN & REVISED PER 0410-0144-96	11-19-96	TS WM

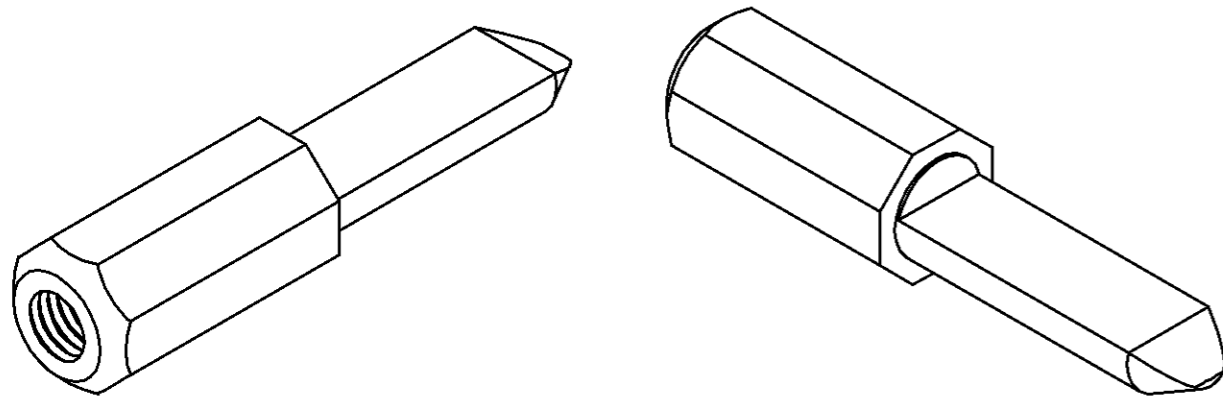
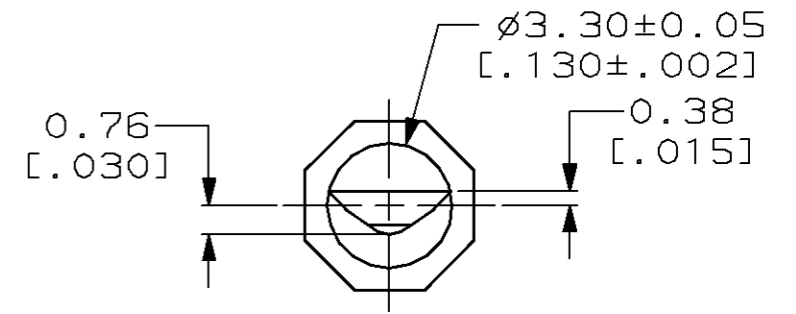
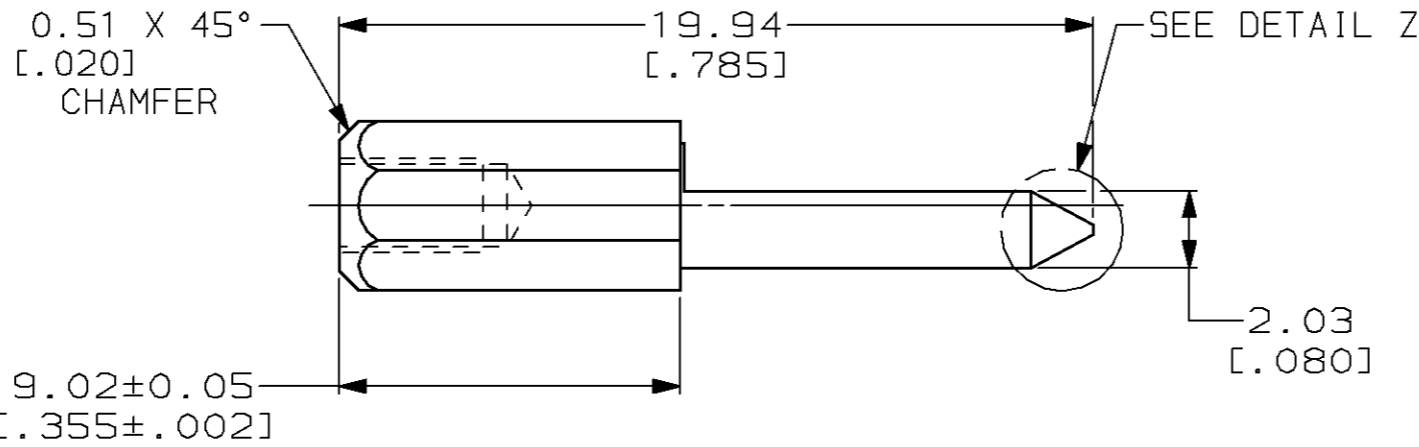


DETAIL Z
SCALE 10:1

- 1 MATERIAL: STAINLESS STEEL.
- 2 FINISH: PASSIVATED



#2-56 UNC-2B
X 3.8 DEEP
[.15]



535839-2
PART NUMBER

THIS DRAWING IS A CONTROLLED DOCUMENT.		DWN T. SHUEY 11-19-96	 AMP Incorporated Harrisburg, PA 17105-3608
DIMENSIONS: mm [INCHES]	TOLERANCES UNLESS OTHERWISE SPECIFIED:	CHK W. MILLHIMES 11-20-96	
	0 PLC ± _____	APVD W. MILLHIMES 11-20-96	
	1 PLC ± _____	PRODUCT SPEC	
MATERIAL	FINISH	NAME	POLARIZING PIN, TBC PLUS
1	2	APPLICATION SPEC	SIZE
		WEIGHT	CAGE CODE
		CUSTOMER DRAWING	DRAWING NO
			A3 00779
			SCALE 5:1
			SHEET 1 OF 1
			REV D