

178411-6 ✓ ACTIVE

AMP | Multilock Connector System

TE Internal #: 178411-6

Housing for Female Terminals, Wire-to-Device / Wire-to-Board, 80 Position, .142 in [3.6 mm] Centerline, Sealable, Gray, Multilock Connector System

[View on TE.com >](#)



Connectors > Automotive Connectors > Automotive Housings > MULTILOCK, CONNECTOR HOUSING



Connector System: **Wire-to-Board, Wire-to-Device**

Number of Positions: **80**

Connector & Housing Type: **Housing for Female Terminals**

Centerline (Pitch): **3.6 mm [ .142 in ]**

Sealable: **Yes**

[All MULTILOCK, CONNECTOR HOUSING \(567\)](#)

## Features

### Product Type Features

Hybrid Connector	No
Connector Shape	Rectangular
Connector System	Wire-to-Board, Wire-to-Device
Connector & Housing Type	Housing for Female Terminals
Sealable	Yes
Primary Locking Feature	Integrated in Housing

### Configuration Features

Number of Positions	80
Number of Rows	4

### Electrical Characteristics

Operating Voltage	12 VDC
Nominal Voltage Architecture	12 V

### Body Features

Cable Exit Angle	180°
Primary Product Color	Gray

### Contact Features

--	--



Contact Size	1mm
Contact Type	Receptacle
Mating Tab Width	1 mm[.039 in]

### Mechanical Attachment

Terminal Position Assurance	Yes
Strain Relief	Without
Mating Alignment Type	Polarization Slot
Mating Alignment	With
Connector Mounting Type	Cable Mount (Free-Hanging)

### Housing Features

Housing Material	PBT
Centerline (Pitch)	3.6 mm[.142 in]

### Dimensions

Connector Height	42.8 mm[1.69 in]
Product Width	1 mm[1.228 in]
Product Length	103.9 mm[4.091 in]
Row-to-Row Spacing	2.54 mm[.1 in]

### Usage Conditions

Operating Temperature (Max)	70 °C, 75 °C, 80 °C, 85 °C, 90 °C, 100 °C, 105 °C, 110 °C, 120 °C[158 °F][167 °F][176 °F][185 °F][194 °F][212 °F][221 °F][230 °F][248 °F]
Operating Temperature Range	-40 – 120 °C[-40 – 248 °F]

### Operation/Application

Circuit Application	Signal
---------------------	--------

### Packaging Features

Packaging Quantity	20
--------------------	----

### Other

Serviceable	Yes
Connector Position Assurance Capable	No

### Product Compliance

[For compliance documentation, visit the product page on TE.com>](#)



EU RoHS Directive 2011/65/EU	Compliant
EU ELV Directive 2000/53/EC	Compliant
China RoHS 2 Directive MIIT Order No 32, 2016	No Restricted Materials Above Threshold
EU REACH Regulation (EC) No. 1907/2006	Current ECHA Candidate List: JUNE 2023 (235) Candidate List Declared Against: JAN 2021 (211) Does not contain REACH SVHC
Halogen Content	BFR/CFR/PVC Free, but Br/Cl >900 ppm in other sources.
Solder Process Capability	Not applicable for solder process capability

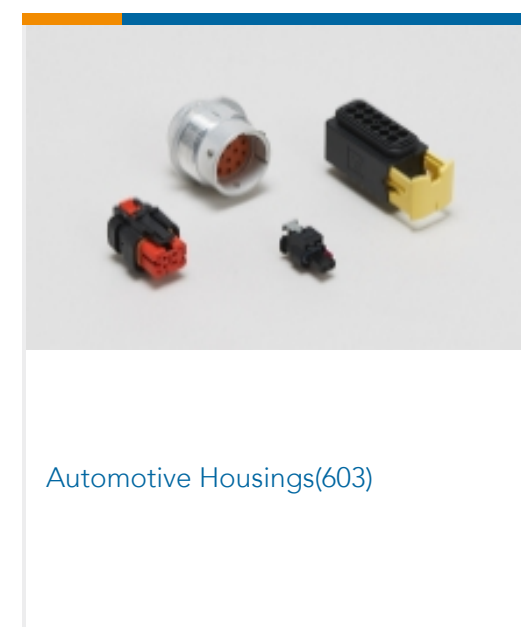
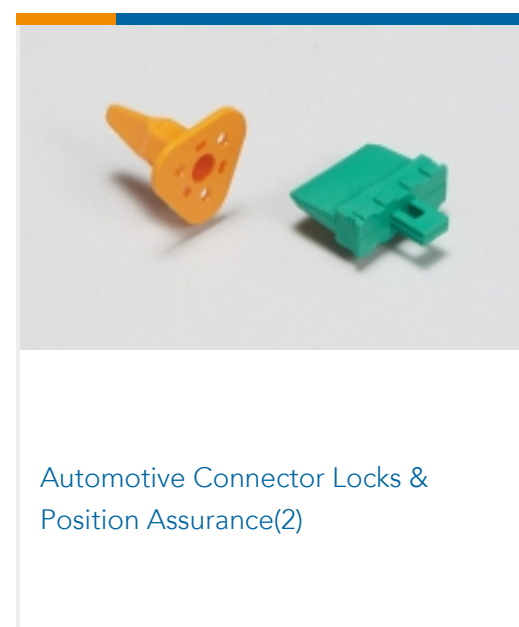
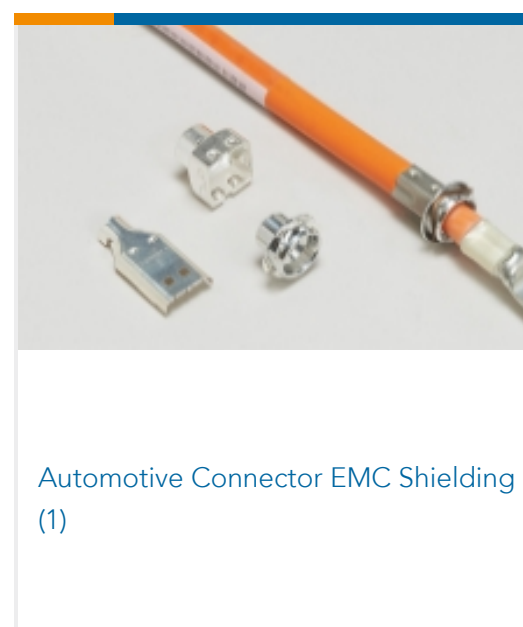
Product Compliance Disclaimer

This information is provided based on reasonable inquiry of our suppliers and represents our current actual knowledge based on the information they provided. This information is subject to change. The part numbers that TE has identified as EU RoHS compliant have a maximum concentration of 0.1% by weight in homogenous materials for lead, hexavalent chromium, mercury, PBB, PBDE, DBP, BBP, DEHP, DIBP, and 0.01% for cadmium, or qualify for an exemption to these limits as defined in the Annexes of Directive 2011/65/EU (RoHS2). Finished electrical and electronic equipment products will be CE marked as required by Directive 2011/65/EU. Components may not be CE marked. Additionally, the part numbers that TE has identified as EU ELV compliant have a maximum concentration of 0.1% by weight in homogenous materials for lead, hexavalent chromium, and mercury, and 0.01% for cadmium, or qualify for an exemption to these limits as defined in the Annexes of Directive 2000/53/EC (ELV). Regarding the REACH Regulation, the information TE provides on SVHC in articles for this part number is based on the latest European Chemicals Agency (ECHA) 'Guidance on requirements for substances in articles' posted at this URL: <https://echa.europa.eu/guidance-documents/guidance-on-reach>

### Compatible Parts



### Also in the Series | Multilock Connector System





Automotive Terminals(141)



Connector Seals & Cavity Plugs(2)



Insertion & Extraction Tools(6)



Other Automotive Connector Accessories(14)

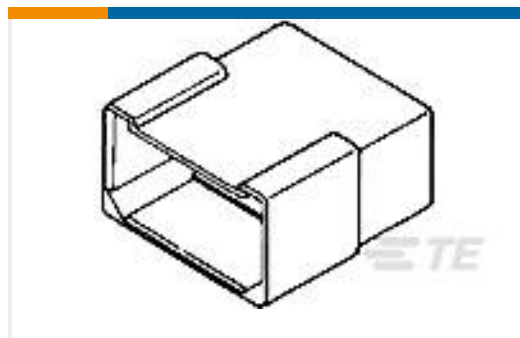


PCB Headers & Receptacles(142)

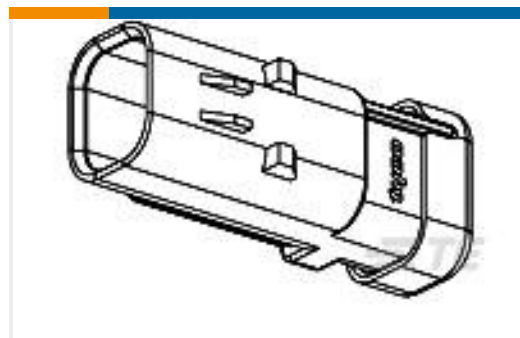
## Customers Also Bought



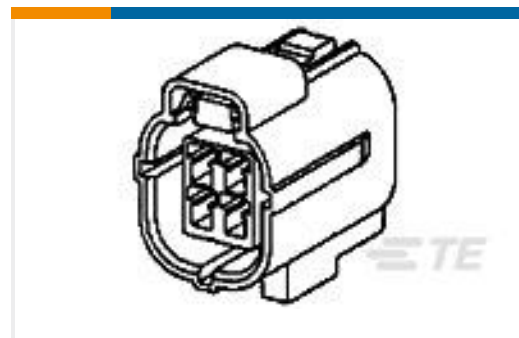
TE Part #5-1718323-1  
2.8MM TAB HSG.,39POS.,ASSY



TE Part #180906  
FF 250 TAB HSG 6P NYLON NAT



TE Part #776535-2  
AS 16, 3P CAP ASSY, RD, KEY 2



TE Part #174257-2  
ECONOSEAL-J MK-2 PLUG ASSY 4P



TE Part #962880-1  
TIMER, RECEPTACLE AND TAB



TE Part #2112233-1  
COVER,90,FOR 46POS



TE Part #1-174656-1  
E-J MK-2 PLUG HSG 10P NATURAL



TE Part #3-2112231-1  
46POS,AMP MCP1.5K,REC HSG,ASSY



TE Part #2500021-1  
SRC Pwr 60+6AG Male Blade Hsg Assy

## Documents



### Product Drawings

#### 80P PLUG HSG ASSY FOR 120P ECU

English

---

### CAD Files

#### Customer View Model

[ENG\\_CVM\\_178411-6\\_O.3d\\_igs.zip](#)

English

#### Customer View Model

[ENG\\_CVM\\_178411-6\\_O.3d\\_stp.zip](#)

English

#### Customer View Model

[ENG\\_CVM\\_178411-6\\_O.2d\\_dxf.zip](#)

English

### 3D PDF

English

By downloading the CAD file I accept and agree to the [Terms and Conditions](#) of use.

---

### Datasheets & Catalog Pages

#### MULTILOCK Connector System

English

---

### Product Specifications

#### Product Specification

Japanese

#### Product Specification

Japanese