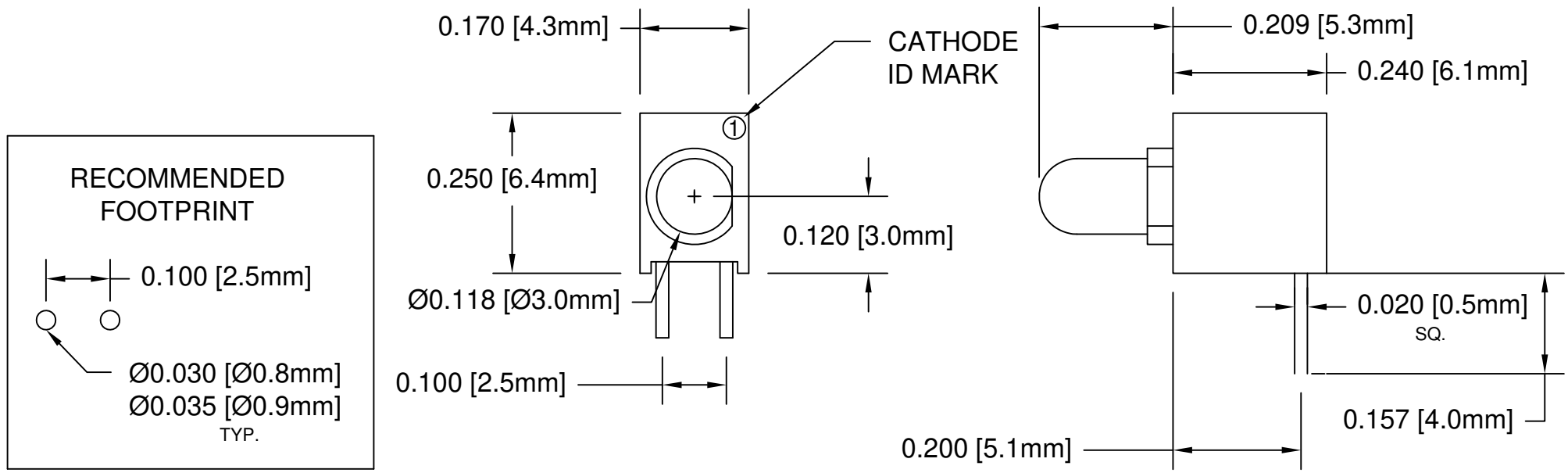


| ITEM | Q'TY | PART NUMBER | PART DESCRIPTION |
|------|------|--------------|---------------------------------|
| 1 | 1 | H-131C-1-120 | 90° T-1 (3mm) HOLDER |
| 2 | 1 | 3SRC-F | T-1 (3mm) SUPER BRIGHT LED, RED |

| REV | DESCRIPTION | DATE | APPROVED |
|-----|--------------------------------|----------|----------|
| A | Engineering Release | 12/13/02 | M. C. |
| B | Added Lead Cut Length | 06/12/07 | M. C. |
| C | Engineering Update w/o Changes | 06/20/16 | J. C. |
| | | | |
| | | | |



| LED Part No. | Chip | | | Lens Appearance | Absolute Max. Ratings | | | | Electro-Optical Data @ 20mA | | | Viewing Angle (Deg) |
|--------------|-------------|-----------------------------------|---------------|-----------------|-----------------------|---------|---------|--------------|-----------------------------|-----|----------|---------------------|
| | Material | Peak Wave Length λ_p (nm) | Emitted Color | | $\Delta\lambda$ (nm) | Pd (mW) | If (mA) | Peak If (mA) | Vf (V) | | Iv (mcd) | |
| | | | | | | | | | TYP | MAX | TYP | |
| 3SRC-F | GaAiAs/GaAs | 655 | SUPER RED | WATER CLEAR | 20 | 60 | 20 | 150 | 1.7 | 2.6 | 250 | 30 |

ABSOLUTE MAXIMUM RATINGS (Ta=25°C)

| | | |
|---|-------|---------------------|
| REVERSE VOLTAGE | _____ | 5V |
| REVERSE CURRENT (V _R =5V) | _____ | 100µA |
| OPERATING TEMPERATURE RANGE | _____ | -25°C ~ 85°C |
| STORAGE TEMPERATURE | _____ | -30°C ~ 100°C |
| LEAD SOLDERING TEMPERATURE(1/16" FROM BODY) | _____ | 260°C FOR 5 SECONDS |

| | |
|---|-----------------------|
| STANDARD TOLERANCE (UNLESS OTHERWISE SPECIFIED) | |
| DECIMALS | ANGULAR |
| .X ±.1 | X° ±1° |
| .XX ±.02 | |
| .XXX ±.010 | |
| DESIGNED: D. Green | DATE: 12/13/02 |
| CHECKED: M. Chen | DATE: 12/13/02 |

BIVAR[®]
 4 THOMAS, IRVINE, CA. 92618
 TEL: (949) 951-8808 FAX: (949) 951-3974

| | |
|--|-----------------------|
| TITLE: 90° T-1 (3mm) VARIABLE CENTERLINE, EXT. PROFILE | |
| PART NO: H151CSRC-120 | REVISION: C |
| CAGE CODE : 32559 | SHEET # 1 OF 1 |
| CAD GENERATED DOCUMENT, DO NOT MEASURE DRAWING. | |