

NOTES:

1. ALL ITEMS SHIPPED NON-ASSEMBLED.
2. SEALED TO IP67 RATING.

REV.	DESCRIPTION	DATE	APPROVED
B	Engineering Release	4/4/17	J.C.

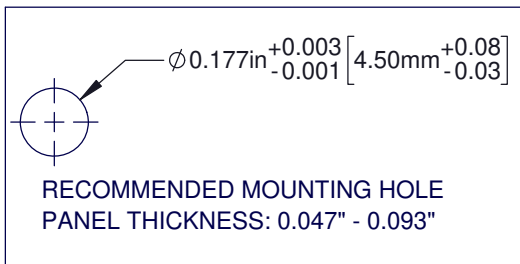
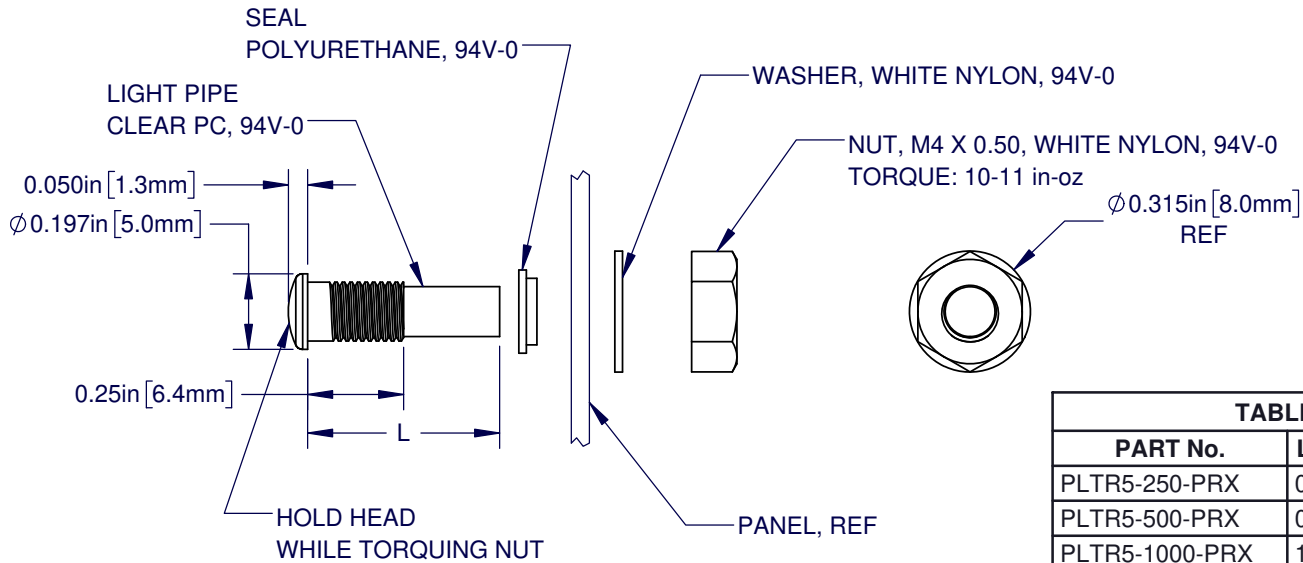
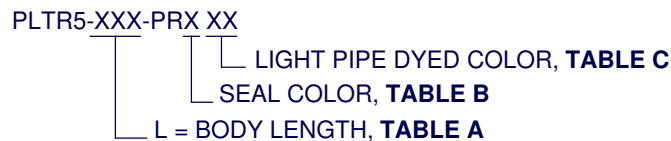


TABLE A	
PART No.	L = BODY LENGTH
PLTR5-250-PRX	0.250 (6.4mm)
PLTR5-500-PRX	0.500 (12.7mm)
PLTR5-1000-PRX	1.000 (25.4mm)
PLTR5-1500-PRX	1.500 (38.1mm)
PLTR5-2000-PRX	2.000 (50.8mm)
PLTR5-2500-PRX	2.500 (63.5mm)
PLTR5-3000-PRX	3.000 (76.2mm)
PLTR5-8MM-PRX	8mm (0.315")
PLTR5-16MM-PRX	16mm (0.630")
PLTR5-24MM-PRX	24mm (0.945")
PLTR5-32MM-PRX	32mm (1.260")
PLTR5-40MM-PRX	40mm (1.575")
PLTR5-48MM-PRX	48mm (1.890")
PLTR5-56MM-PRX	56mm (2.205")
PLTR5-64MM-PRX	64mm (2.520")
PLTR5-72MM-PRX	72mm (2.835")

TABLE B (SEAL)	
COLOR	CODE
BLACK	1
WHITE	2

TABLE C (DYE)	
COLOR	CODE
BLUE	BE
BLACK	BK
GREEN	GN
GRAY	GY
RED	RD
YELLOW	YW
NONE	BLANK

PART NUMBER CONFIGURATION



STANDARD TOLERANCE (UNLESS OTHERWISE SPECIFIED)		 4 THOMAS, IRVINE, CA. 92618 TEL: (949) 951-8808 FAX: (949) 951-3974	
DECIMALS	ANGULAR		
.X ± .1	X° ± 1°	TITLE: LIGHT PIPE, 5mm, IP67 PART NO: PLTR5-XXX-PRX REVISION: B	
.XX ± .01			
.XXX ± .005			
DESIGNED: TD. NGUYEN	DATE: 4/4/17	CAGE CODE : 32559 SHEET # 1 OF 1	
CHECKED: J. CHIANG	DATE: 4/4/17	CAD GENERATED DOCUMENT, DO NOT MEASURE DRAWING	