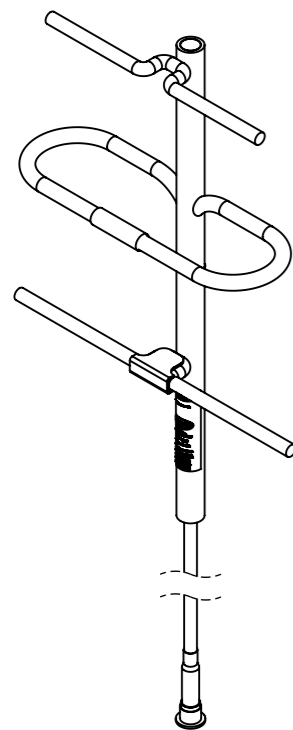
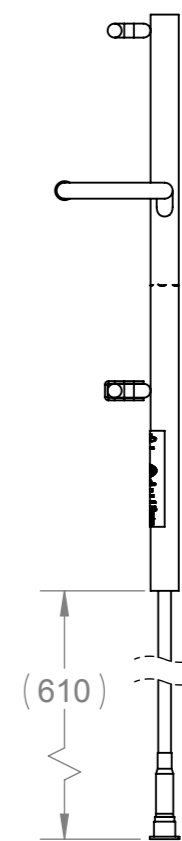
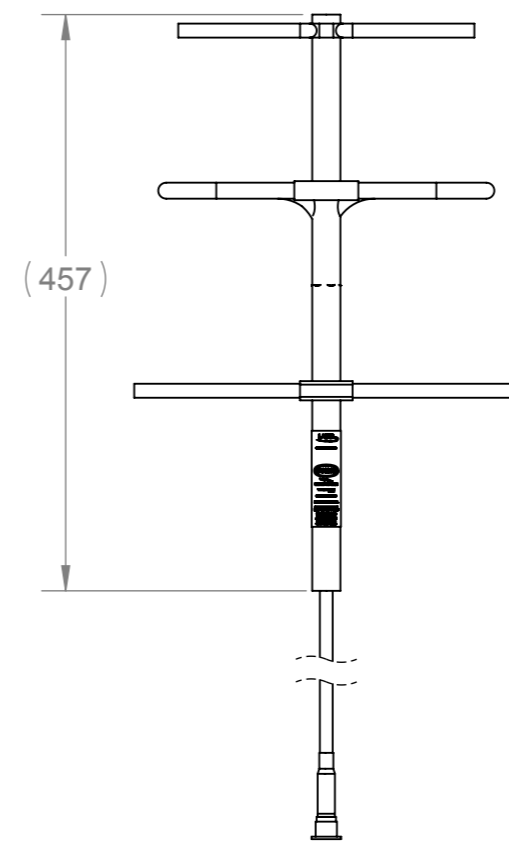
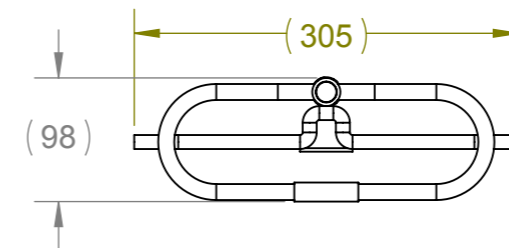
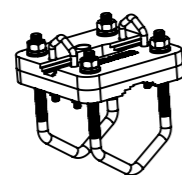


PARAMETER	PERFORMANCE
MODEL NUMBER	YF45018-61NF
FREQUENCY	440-490 MHz
GAIN	8.3 dBi
POLARIZATION	VERTICAL OR HORIZONTAL
RADIATION PATTERN	DIRECTIONAL
VSWR	< 1.5:1 Nominal
	<2:1 Maximum
POWER RATING	250 WATTS
IP RATING	IP67
OPERATING TEMPERATURE	-30° C TO +70° C
STORAGE TEMPERATURE	-40° C TO +85° C
OPERATIONAL WIND RATING	100 mph (160 km/h) (2.6 lbf load)
SURVIVAL WIND RATING	136 mph (220km/h) (4.7 lbf load)
WEIGHT WITHOUT BRACKET	1.50 lbs (0.68 kg)
WEIGHT WITH BRACKET	3.03 lbs (1.37 kg)
FRONT TO BACK RATIO	15dB
TERMINATION	N-FEMALE
CABLE TYPE	RG213
IMPEDANCE	50 ohm TYP.

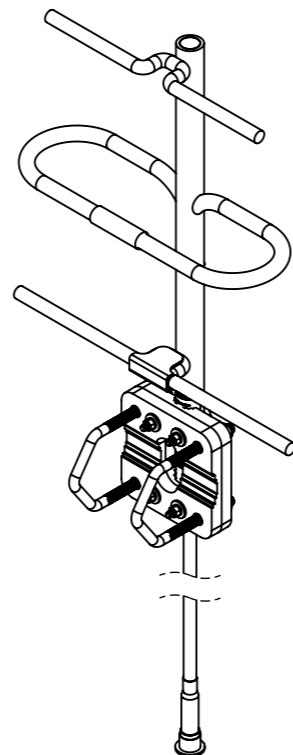
REVISIONS					
REV.	ECN#	ZONE	DESCRIPTION	CHANGED BY/DATE	APPROVED BY/DATE
AA	ECN-IAS-03974	ALL	INITIAL REVIEW	S.S. 02MAR15	R.H. 02MAR15
F01	ECN-IAS-05178	ALL	UPDATED CHART INFO, CORRECTED PIGTAIL LENGTH	S.J. 11MAR16	R.H. 11MAR16
F02	ECN-IAS-05391	D5	VSWR SPEC WAS <1.5:1, POWER RATING WAS 200 WATTS	S.J. 13MAY16	R.H. 13MAY16
F03	ECO-18-00248	TABLE	CHGD PERFORMANCE FREQ was 450-490,VSWR was 1.7:1 Max	M.L. 13JUN18	A.M. 13JUN18



+



=



MOUNT
2.5" MAX MAST

ANTENNA

MATERIAL: N/A		THIRD ANGLE PROJECTION	
FINISH: N/A		DO NOT SCALE DRAWING	
APPROVALS		DATE	
DRAWN BY	S. SAFVI	02MAR15	
ELEC. ENG.	R. HARO	02MAR15	
MECH. ENG.	S. SAFVI	02MAR15	
MFG./OPS.	B. THATCHER	02MAR15	

INTERPRET DIMENSIONING AND TOLERANCING IN ACCORDANCE WITH ASME Y14.5M-2009

TOLERANCES UNLESS OTHERWISE SPECIFIED

DIMENSIONS ARE IN MILLIMETERS

ANGLE: ±30'

0 PLACE DECIMAL: ±0.5

1 PLACE DECIMAL: ±0.25

2 PLACE DECIMAL: ±0.13

SURFACE ROUGHNESS 1.6

TE
connectivity

TITLE: YF45018-61NF

SIZE: A3

DWG. NO.: YF45018-61NFMO

REV: F03

SCALE: 1:6

PREVIOUS#

SHEET 1 OF 1

THIS DRAWING IS UNPUBLISHED.

RELEASED FOR PUBLICATION

© Copyright 2022 TE Connectivity Ltd.

ALL RIGHTS RESERVED.