

## TPS61322 6.5- $\mu$ A Quiescent current, 1.8-A switch current boost converter

### 1 Features

- Operating input voltage range: 0.9 V to 5.5 V
- Output voltage range: 1.8 V to 5.5 V
- 6.5- $\mu$ A Quiescent current into VOUT pin
- $\pm 3\%$  Output voltage accuracy over temperature
- Minimum switch peak-current limit:
  - 0.42 A for TPS613223A
  - 0.5 A for TPS61322
  - 0.75 A for TPS613221A and TPS613226A
  - 1.10 A for TPS613222A
- Higher than 90% efficiency at 10-mA load from 1.5-V to 2.2-V conversion
- Thermal shutdown protection
- 2.9-mm  $\times$  1.3-mm 3-pin SOT package and 2.9-mm  $\times$  1.6-mm 5-pin SOT package
- Create a custom design using the TPS61322 with the [WEBENCH<sup>®</sup> Power Designer](#)

### 2 Applications

- 1-cell to 3-cell Alkaline or NiMH battery-powered applications
- Gaming control
- Tablet
- Portable electronics
- Medical equipment

### 3 Description

The TPS61322 is a synchronous boost converter with only 6.5- $\mu$ A quiescent current. The TPS61322 provides a power-supply solution for products powered by alkaline battery, NiMH rechargeable battery, or one-cell Li-ion battery. The boost converter is based on a hysteretic control topology using synchronous rectification to obtain maximum efficiency at minimal quiescent current. The TPS61322 also allows the use of small external inductor and capacitors. Higher than 90% efficiency is achieved at 10-mA load from 1.5-V input to 2.2-V output conversion.

The TPS61322 can also support high output current applications with an external schottky diode. The TPS613222A provides higher than 500-mA output current capability at 3-V input voltage to 5-V output voltage conversion with an external Schottky diode in parallel with the internal rectifier FET.

The output voltage is set internally to a fixed output voltage from 1.8 V to 5.5 V in increments of 0.1 V. Thus, it only needs two external components to get the desired output voltage. The TPS61322 also implements thermal shutdown protection function.

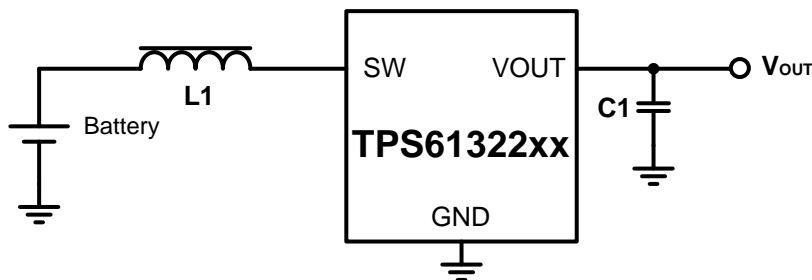
The TPS61322 is available in a 2.9-mm  $\times$  1.3-mm 3-pin SOT package or a 2.9-mm  $\times$  1.6-mm 5-pin SOT package.

#### Device Information<sup>(1)</sup>

| PART NUMBER | PACKAGE    | BODY SIZE (NOM)          |
|-------------|------------|--------------------------|
| TPS61322    | SOT-23 (3) | 2.90 mm $\times$ 1.30 mm |
|             | SOT-23 (5) | 2.90 mm $\times$ 1.60 mm |

(1) For all available packages, see the orderable addendum at the end of the data sheet.

#### Typical Application Circuit



## Table of Contents

|  |          |  |           |
|--|----------|--|-----------|
| <b>1 Features</b> .....                        | <b>1</b> | <b>9 Application and Implementation</b> .....                    | <b>11</b> |
| <b>2 Applications</b> .....                    | <b>1</b> | 9.1 Application Information.....                                 | 11        |
| <b>3 Description</b> .....                     | <b>1</b> | 9.2 Typical Application .....                                    | 11        |
| <b>4 Revision History</b> .....                | <b>2</b> | 9.3 System Examples .....  | 19        |
| <b>5 Device Comparison Table</b> .....         | <b>3</b> | <b>10 Power Supply Recommendations</b> .....                     | <b>20</b> |
| <b>6 Pin Configuration and Functions</b> ..... | <b>3</b> | <b>11 Layout</b> .....   | <b>21</b> |
| <b>7 Specifications</b> .....                  | <b>4</b> | 11.1 Layout Guidelines .....                                     | 21        |
| 7.1 Absolute Maximum Ratings .....             | 4        | 11.2 Layout Examples.....  | 22        |
| 7.2 ESD Ratings .....                          | 4        | <b>12 Device and Documentation Support</b> .....                 | <b>23</b> |
| 7.3 Recommended Operating Conditions.....      | 4        | 12.1 Device Support .....  | 23        |
| 7.4 Thermal Information .....                  | 4        | 12.2 Documentation Support .....                                 | 23        |
| 7.5 Electrical Characteristics.....            | 5        | 12.3 Receiving Notification of Documentation Updates             | 23        |
| 7.6 Typical Characteristics.....               | 6        | 12.4 Community Resources.....                                    | 23        |
| <b>8 Detailed Description</b> .....            | <b>9</b> | 12.5 Trademarks .....  | 23        |
| 8.1 Overview .....                             | 9        | 12.6 Electrostatic Discharge Caution.....                        | 24        |
| 8.2 Functional Block Diagram .....             | 9        | 12.7 Glossary .....  | 24        |
| 8.3 Feature Description.....                   | 9        | <b>13 Mechanical, Packaging, and Orderable Information</b> ..... | <b>24</b> |

## 4 Revision History

NOTE: Page numbers for previous revisions may differ from page numbers in the current version.

| <b>Changes from Revision C (May 2018) to Revision D</b>                               | <b>Page</b> |
|---|-------------|
| • Deleted quasi-GPNs from TPS61322 title and changed "TPS61322xx" to "TPS61322" ..... | 1           |
| • Added links for WEBENCH .....   | 1           |
| • Changed the NFET symbol in <i>Functional Block Diagram</i> .....                    | 9           |
| • Added <i>Device Functional Modes</i> .....  | 10          |

| <b>Changes from Revision B (April 2018) to Revision C</b>  | <b>Page</b> |
|--|-------------|
| • Deleted Cross Reference to <i>Device Comparison Table</i> and the Electrical Characteristics table footnotes regarding device TPS61223A, that was <i>Product Preview</i> device in the SLVSDY5B revision. .... | 3           |
| • Added graphs pertaining to TPS613223A device to the Typical Characteristics matrix. ....   | 6           |

| <b>Changes from Revision A (January 2018) to Revision B</b>  | <b>Page</b> |
|--|-------------|
| • Deleted Cross Reference to <i>Device Comparison Table</i> and the Electrical Characteristics table footnotes regarding devices TPS61221A, TPS61222A, and TPS61226A that were <i>Product Preview</i> devices in the SLVSDY5A revision. .... | 3           |
| • Added <i>Figure 3</i> , <i>Figure 4</i> and <i>Figure 5</i> .....  | 6           |
| • Added <i>Figure 7</i> , <i>Figure 8</i> , and <i>Figure 11</i> .....   | 8           |

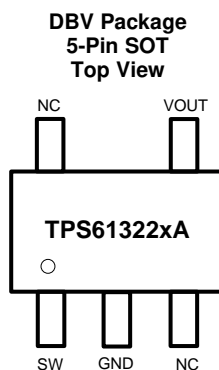
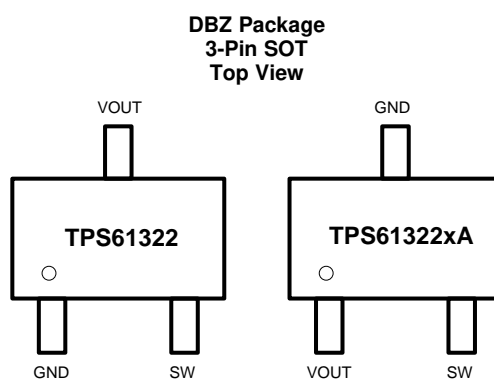
| <b>Changes from Original (September 2017) to Revision A</b> | <b>Page</b> |
|---|-------------|
| • Production Data release January 2018. ....                | 1           |

## 5 Device Comparison Table

| PART NUMBER               | OUTPUT VOLTAGE | TYPICAL CURRENT LIMIT |
|---------------------------|----------------|-----------------------|
| TPS61322                  | 2.2 V          | 0.75A                 |
| TPS613221A                | 3.3 V          | 1.2 A                 |
| TPS613222A                | 5 V            | 1.8 A                 |
| TPS613223A                | 2 V            | 0.75 A                |
| TPS613224A <sup>(1)</sup> | 2.5 V          | 0.75 A                |
| TPS613225A <sup>(1)</sup> | 3 V            | 1.2 A                 |
| TPS613226A                | 3.6 V          | 1.2 A                 |

(1) Product Preview. Contact TI factory for more information.

## 6 Pin Configuration and Functions



### Pin Functions

| PIN      |            |     | NAME | TYPE | DESCRIPTION   |
|----------|------------|-----|------|------|---|
| TPS61322 | TPS61322xA |     |      |      |   |
| DBZ      | DBZ        | DBV |      |      |   |
| 1        | 3          | 2   | GND  | PWR  | Ground of the IC.   |
| 2        | 2          | 1   | SW   | PWR  | The switch pin of the converter. It is connected to the inductor. |
| 3        | 1          | 4   | VOUT | PWR  | Boost converter output.   |
| -        | -          | 3   | NC   | -    | No connection inside the device.                                  |
| -        | -          | 5   | NC   | -    | No connection inside the device.                                  |

## 7 Specifications

### 7.1 Absolute Maximum Ratings

over operating free-air temperature range (unless otherwise noted)<sup>(1)</sup>

|  | MIN  | MAX | UNIT |
|--|------|-----|------|
| Voltage range at terminals <sup>(2)</sup> SW, VOUT | -0.3 | 6.0 | V    |
| Operating Junction Temperature, $T_J$              | -40  | 150 | °C   |
| Storage Temperature, $T_{stg}$                     | -65  | 150 | °C   |

- (1) Stresses beyond those listed under *Absolute Maximum Ratings* may cause permanent damage to the device. These are stress ratings only, which do not imply functional operation of the device at these or any other conditions beyond those indicated under *Recommended Operating Conditions*. Exposure to absolute-maximum-rated conditions for extended periods may affect device reliability.
- (2) All voltage values are with respect to network ground terminal.

### 7.2 ESD Ratings

|                                     | VALUE  | UNIT  |
|-------------------------------------|--|-------|
| $V_{(ESD)}$ Electrostatic discharge | Human-body model (HBM), per ANSI/ESDA/JEDEC JS-001 <sup>(1)</sup>              | ±2000 |
|                                     | Charged-device model (CDM), per JEDEC specification JESD22-C101 <sup>(2)</sup> | ±500  |

- (1) JEDEC document JEP155 states that 500-V HBM allows safe manufacturing with a standard ESD control process.
- (2) JEDEC document JEP157 states that 250-V CDM allows safe manufacturing with a standard ESD control process.

### 7.3 Recommended Operating Conditions

over operating free-air temperature range (unless otherwise noted)

|  | MIN | NOM | MAX | UNIT |
|--|-----|-----|-----|------|
| $V_{IN}$ Input voltage range           | 0.9 |     | 5.5 | V    |
| $V_{OUT}$ Output voltage range         | 1.8 |     | 5.5 | V    |
| L Inductor (effective)                 | 0.7 | 2.2 | 13  | μH   |
| $C_{OUT}$ Output capacitor (effective) | 4.7 | 16  | 100 | μF   |
| $T_J$ Operating junction temperature   | -40 |     | 125 | °C   |

### 7.4 Thermal Information

| THERMAL METRIC <sup>(1)</sup>                                     | TPS61322     |              | UNIT |
|---|--------------|--------------|------|
|   | DBZ (SOT-23) | DBV (SOT-23) |      |
|   | 3-PIN        | 5-PIN        |      |
| $R_{\theta JA}$ Junction-to-ambient thermal resistance            | 322.2        | 189.7        | °C/W |
| $R_{\theta JC(top)}$ Junction-to-case (top) thermal resistance    | 107.0        | 109.4        | °C/W |
| $R_{\theta JB}$ Junction-to-board thermal resistance              | 65.8         | 56.5         | °C/W |
| $\Psi_{JT}$ Junction-to-top characterization parameter            | 7.5          | 33.3         | °C/W |
| $\Psi_{JB}$ Junction-to-board characterization parameter          | 64.5         | 56.5         | °C/W |
| $R_{\theta JC(bot)}$ Junction-to-case (bottom) thermal resistance | N/A          | N/A          | °C/W |

- (1) For more information about traditional and new thermal metrics, see the [Semiconductor and IC Package Thermal Metrics](#) application report.

## 7.5 Electrical Characteristics

$T_J = -40^{\circ}\text{C}$  to  $+125^{\circ}\text{C}$  and  $V_{IN} = 0.9\text{ V}$  to  $5.5\text{ V}$ . Typical values are at  $V_{IN} = 1.2\text{ V}$ ,  $T_J = 25^{\circ}\text{C}$ , unless otherwise noted

| PARAMETER           |   | TEST CONDITIONS   | MIN   | TYP   | MAX  | UNIT               |   |
|---------------------|---|---|---|-------|------|--------------------|---|
| <b>POWER SUPPLY</b> |   |   |   |       |      |                    |   |
| $V_{IN}$            | Input voltage range                     |   | 0.9   |       | 5.5  | V                  |   |
| $V_{VOUT\_START}$   | Minimum voltage for startup at VOUT pin | $R_{Load} \geq 250\Omega$ , $T_J = -40^{\circ}\text{C}$ to $85^{\circ}\text{C}$ |   | 0.83  | 0.87 | V                  |   |
| $I_Q$               | Quiescent current into VOUT pin         | $V_{OUT} = 1.2 \times \text{Target}$  |   | 6.5   | 10   | $\mu\text{A}$      |   |
| <b>OUTPUT</b>       |   |   |   |       |      |                    |   |
| $V_{OUT}$           |   | TPS61322  | $V_{IN} < V_{OUT}$ , $T_J = -40^{\circ}\text{C}$ to $125^{\circ}\text{C}$ | 2.134 | 2.2  | 2.266              | V |
|                     |   | TPS613221A  | $V_{IN} < V_{OUT}$ , $T_J = -40^{\circ}\text{C}$ to $125^{\circ}\text{C}$ | 3.2   | 3.3  | 3.4                | V |
|                     |   | TPS613222A  | $V_{IN} < V_{OUT}$ , $T_J = -40^{\circ}\text{C}$ to $125^{\circ}\text{C}$ | 4.85  | 5.0  | 5.15               | V |
|                     |   | TPS613223A  | $V_{IN} < V_{OUT}$ , $T_J = -40^{\circ}\text{C}$ to $125^{\circ}\text{C}$ | 1.94  | 2.0  | 2.06               | V |
|                     |   | TPS613226A  | $V_{IN} < V_{OUT}$ , $T_J = -40^{\circ}\text{C}$ to $125^{\circ}\text{C}$ | 3.49  | 3.6  | 3.71               | V |
| $I_{SW\_LKG}$       | Leakage current into SW pin             | $V_{SW} = V_{OUT} = 1.2 \times \text{Target}$                                   |   | 3.5   |      | nA                 |   |
| <b>POWER SWITCH</b> |   |   |   |       |      |                    |   |
| $R_{DS(on)\_LS}$    | Low side switch on resistance           | TPS61322  |   | 300   |      | $\text{m}\Omega$   |   |
|                     |   | TPS613221A  |   | 200   |      | $\text{m}\Omega$   |   |
|                     |   | TPS613222A  |   | 150   |      | $\text{m}\Omega$   |   |
|                     |   | TPS613223A  |   | 400   |      | $\text{m}\Omega$   |   |
|                     |   | TPS613226A  |   | 190   |      | $\text{m}\Omega$   |   |
| $R_{DS(on)\_HS}$    | High side switch on resistance          | TPS61322  |   | 1300  |      | $\text{m}\Omega$   |   |
|                     |   | TPS613221A  |   | 1000  |      | $\text{m}\Omega$   |   |
|                     |   | TPS613222A  |   | 750   |      | $\text{m}\Omega$   |   |
|                     |   | TPS613223A  |   | 1680  |      | $\text{m}\Omega$   |   |
|                     |   | TPS613226A  |   | 950   |      | $\text{m}\Omega$   |   |
| $I_{LIM}$           | Peak switch current limit               | TPS61322  |   | 0.50  | 0.75 | 1.20               | A |
|                     |   | TPS613221A  |   | 0.75  | 1.20 | 1.60               | A |
|                     |   | TPS613222A  |   | 1.10  | 1.80 | 2.50               | A |
|                     |   | TPS613223A  |   | 0.42  | 0.75 | 1.2                | A |
|                     |   | TPS613226A  |   | 0.75  | 1.20 | 1.60               | A |
| <b>Protection</b>   |   |   |   |       |      |                    |   |
| $T_{SD}$            | Over-temperature protection             | $T_J$ rising  |   | 150   |      | $^{\circ}\text{C}$ |   |
| $T_{SD\_HYS}$       | Over-temperature protection hysteresis  |   |   | 20    |      | $^{\circ}\text{C}$ |   |

## 7.6 Typical Characteristics

T<sub>J</sub> = 25°C unless otherwise noted.

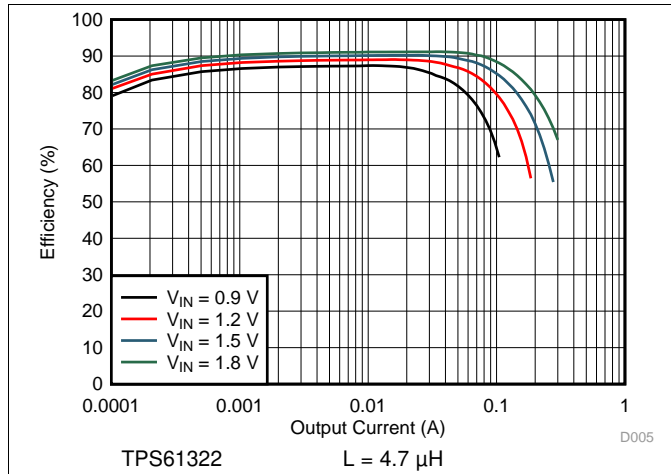


Figure 1. Load Efficiency with Different Inputs

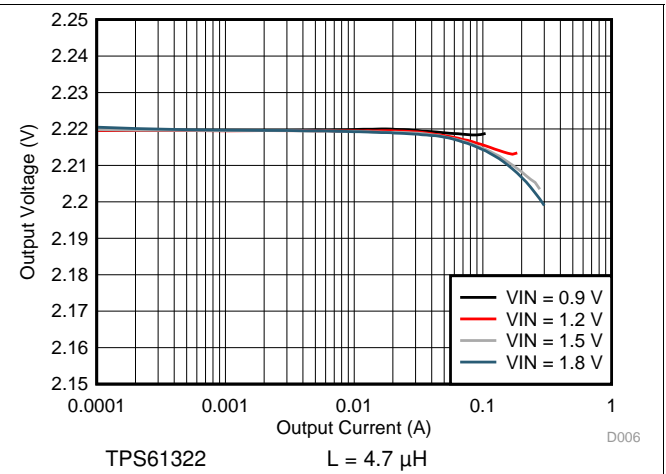


Figure 2. Load Regulation

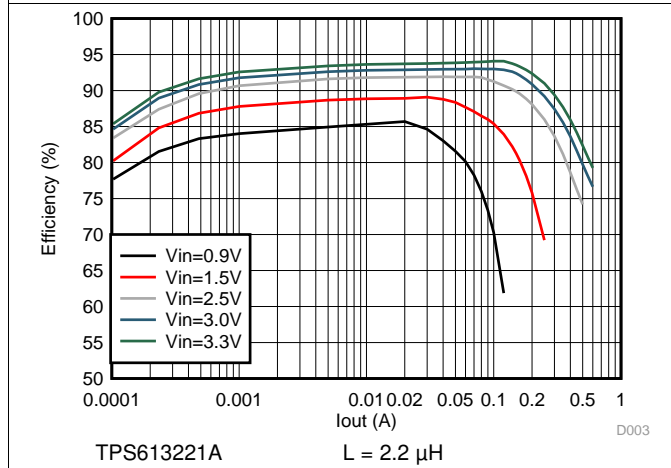


Figure 3. Load Efficiency with Different Inputs

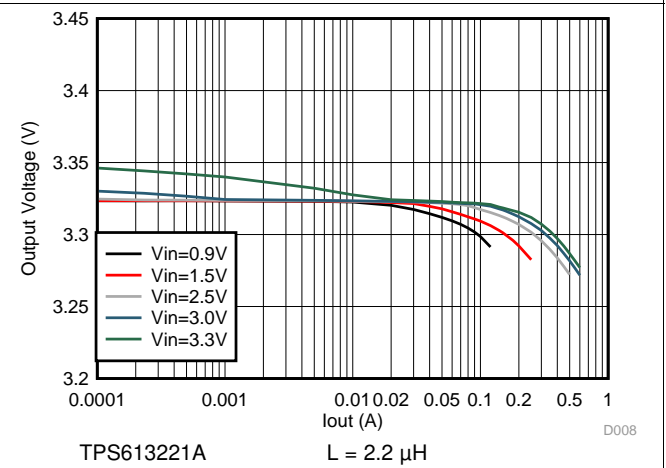


Figure 4. Load Regulation

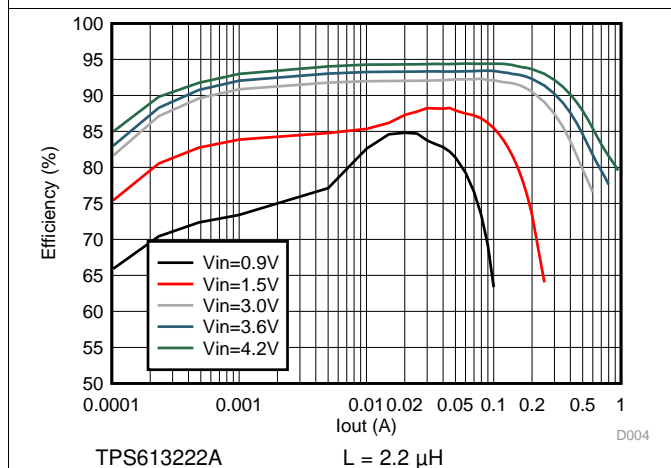


Figure 5. Load Efficiency with Different Inputs

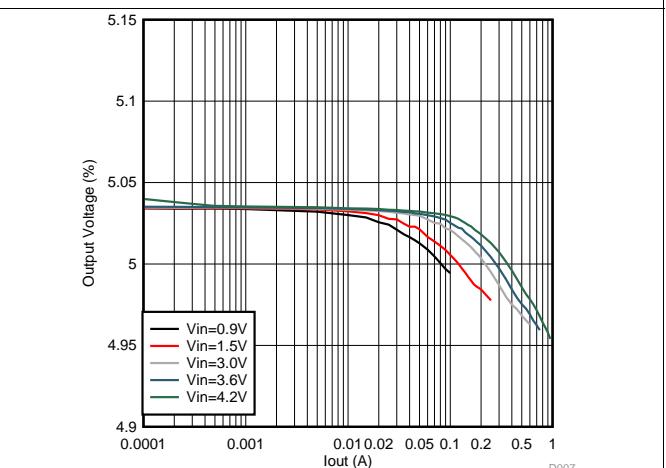


Figure 6. Load Regulation

Typical Characteristics (continued)

T<sub>J</sub> = 25°C unless otherwise noted.

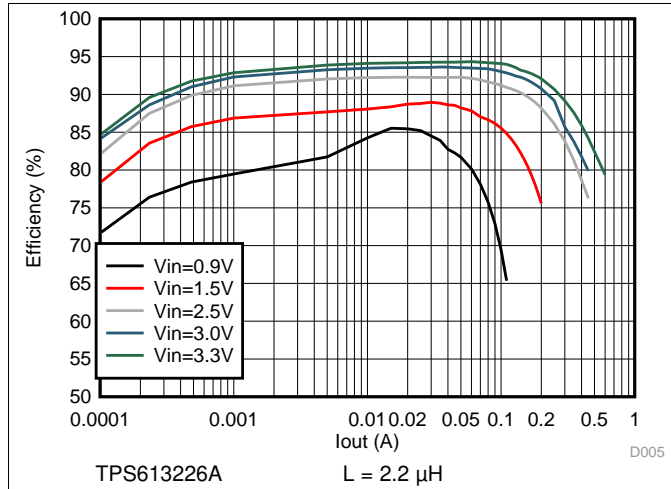


Figure 7. Load Efficiency with Different Inputs

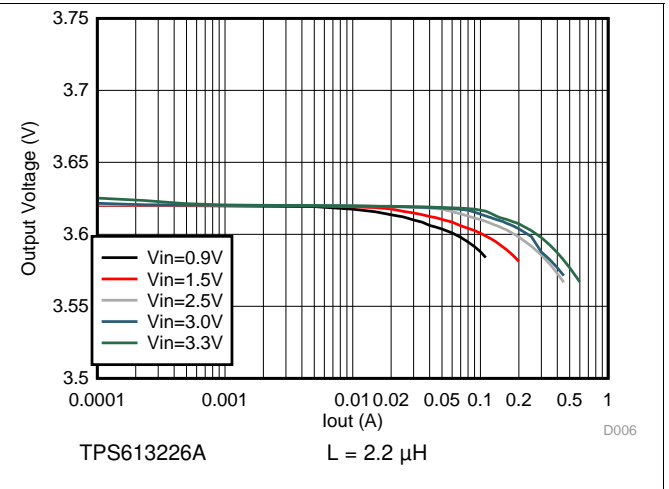


Figure 8. Load Regulation

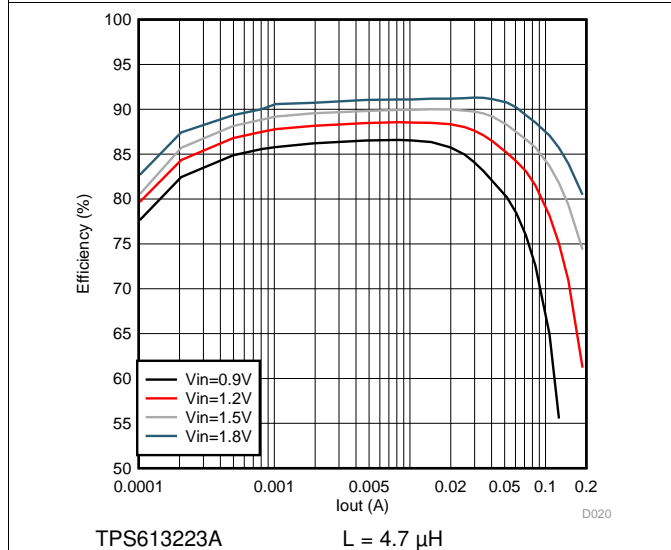


Figure 9. Load Efficiency with Different Inputs

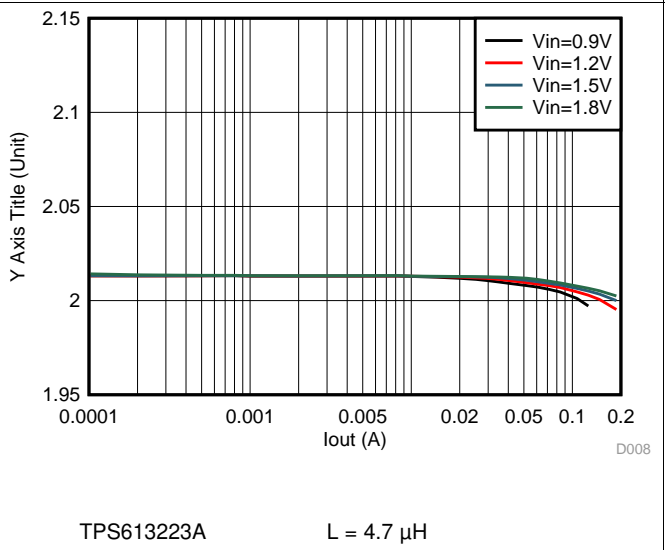


Figure 10. Load Regulation

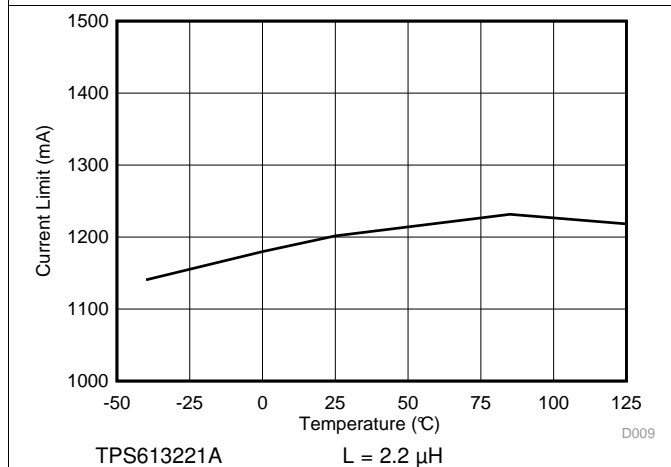


Figure 11. Current Limit with Different Temperature

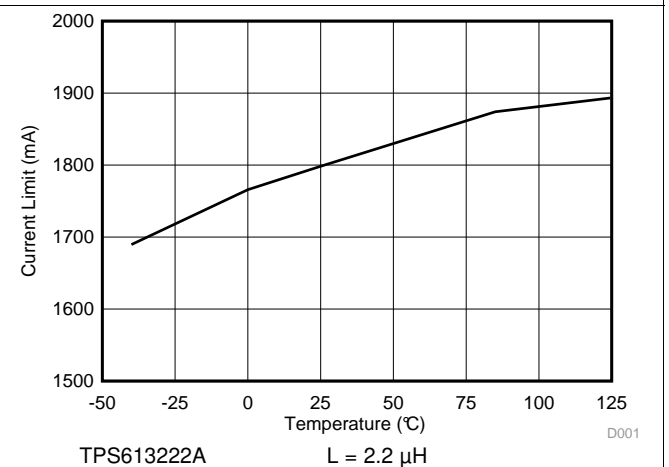
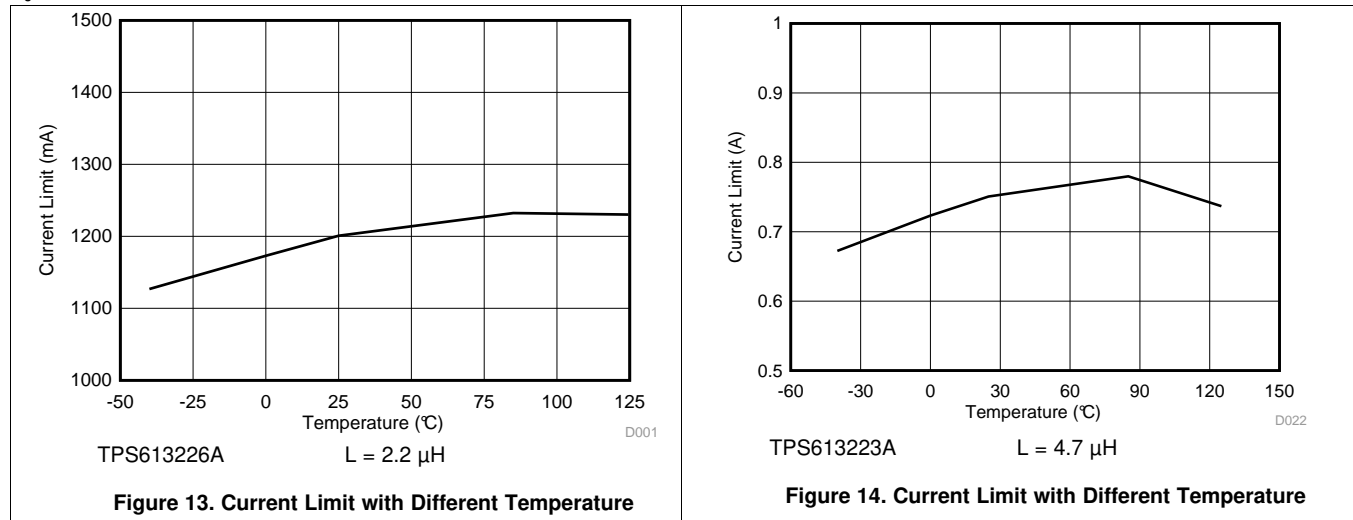


Figure 12. Current Limit with Different Temperature

**Typical Characteristics (continued)**

T<sub>J</sub> = 25°C unless otherwise noted.



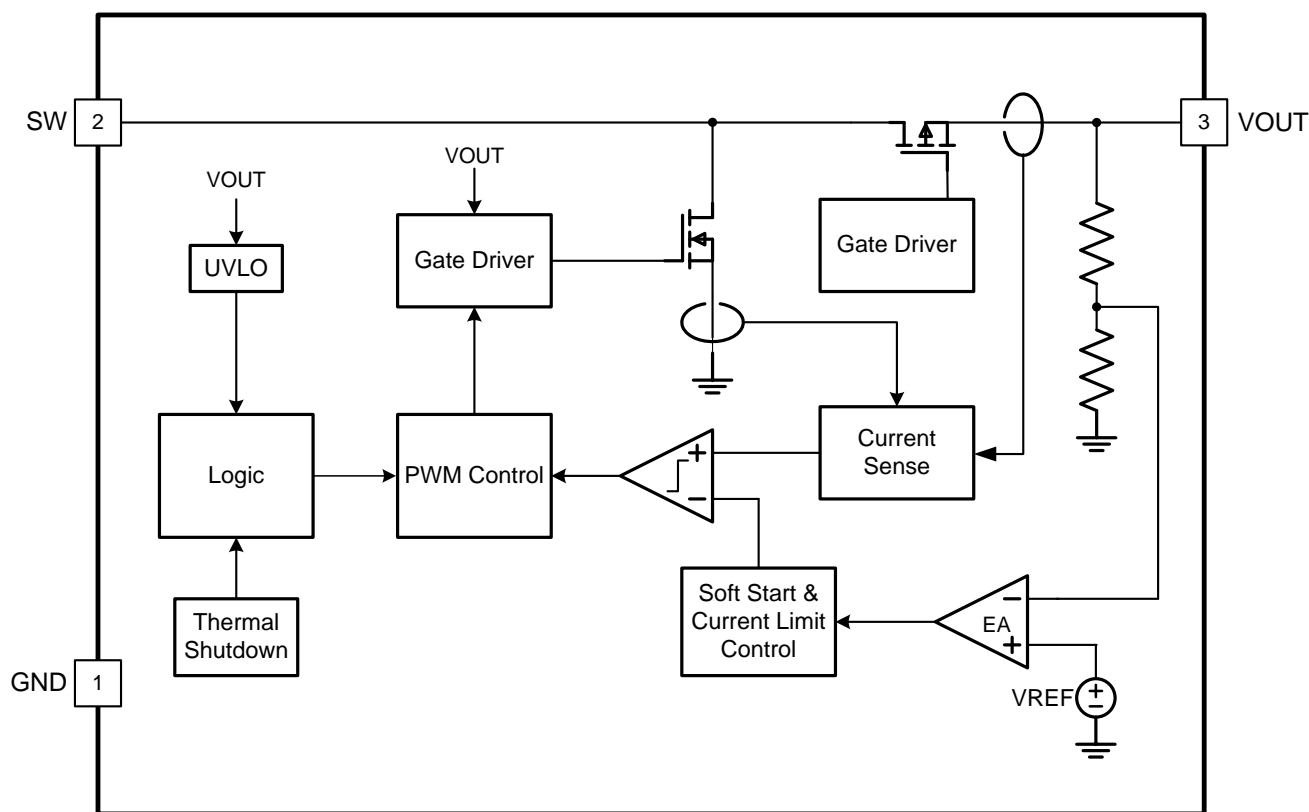


## 8 Detailed Description

### 8.1 Overview

The TPS61322xx is a low quiescent current, high efficiency synchronous boost converter. The TPS61322xx uses hysteretic current control scheme. The TPS61322xx is designed for systems powered by alkaline battery, NiMH rechargeable battery, Li-ion battery or Li-polymer battery. The input voltage range is from 0.9 V to 5.5 V. After start-up is completed, the TPS61322xx can work with the input voltage down to 0.4 V. The TPS61322xx consumes only 6.5- $\mu$ A quiescent current and achieves high efficiency under light load conditions. The TPS61322xx is designed as an always-on power. Higher than 90% efficiency is achieved under 10-mA load from 1.5-V input voltage to 2.2-V output voltage conversion to extend battery lifetime. The TPS61322A can support as high as 500-mA output current from 3-V input voltage to 5-V output voltage conversion with an external schottky diode in parallel with internal high-side MOSFET.

### 8.2 Functional Block Diagram



Copyright © 2017, Texas Instruments Incorporated

### 8.3 Feature Description

#### 8.3.1 Soft Start

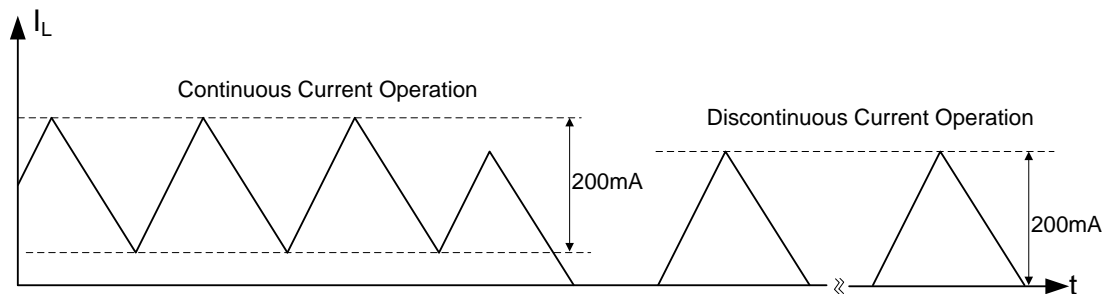
When the input voltage is applied, the high side MOSFET is turned on. The input voltage charges the output capacitors through the inductor and the high side MOSFET. When the output capacitors are charged to 0.83-V typical value, the TPS61322xx starts switching at 1.6-MHz fixed frequency and the high-side MOSFET is turned off. When the output voltage goes up to typical 1.6 V, an internal soft-start control circuit ramps the reference voltage to 0.8 V within 2 ms. In this way, the soft-start function reduces the input inrush current. After the output voltage reaches the target value, soft start ends, and the inductor peak current is determined by the output of an internal error amplifier. After start-up, the TPS61322xx can work with the input voltage down to 0.4 V.

## Feature Description (continued)

### 8.3.2 Boost Controller Circuit

The TPS61322xx boost converter is controlled by a hysteretic current mode scheme. The TPS61322xx regulates the output voltage by keeping the inductor ripple constant of 200-mA typical value and adjusting the offset of this inductor current depending on the output load. If the required average input current is lower than average inductor current defined by this constant ripple current, the inductor current becomes discontinuous to keep the efficiency high under light load conditions. Figure 15 illustrates the hysteretic current operation.

The output voltage  $V_{OUT}$  is monitored via the internal feedback network connected to a voltage error amplifier. To regulate the output voltage, the voltage error amplifier compares this feedback voltage to the internal voltage reference and adjusts the required offset of the inductor current accordingly.



**Figure 15. Hysteretic Current Operation**

The TPS61322xx boost converter can increase the output load capacity by connecting an external schottky diode from SW pin to VOUT pin. Higher than 500 mA output current is supported for 5-V output voltage applications such as USB OTG and HDMI power supply. For such applications, an adaptive constant off time circuit will generate the signal to turn off high-side FET. The inductor current ripple is greater than 200 mA if with this external diode. A higher inductance can help reduce the inductor current ripple.

### 8.3.3 Undervoltage Lockout

An undervoltage lockout function stops operation of the converter if the input voltage drops below the typical undervoltage lockout threshold of 0.4 V while the output voltage is still higher than 1.8 V. A hysteresis of 100 mV is added so that the device does not switch again until the input voltage goes up to 0.5 V.

### 8.3.4 Current Limit Operation

The TPS61322xx employs cycle-by-cycle peak current limit operation. If the inductor peak current hits the peak current limit  $I_{LIM}$ , the low-side MOSFET is turned off and stops the further increase of the inductor current. In this case the output voltage drops until power balance between the input side and output side is achieved. If the output voltage drops below the input voltage, the inductor current will be clamped by the DCR of the inductor and the on-resistance ( $R_{ds,on}$ ) of the high-side MOSFET.

### 8.3.5 Overtemperature Protection

The TPS61322xx has a built-in temperature sensor which monitors the internal junction temperature in boost mode operation. If the junction temperature exceeds the threshold 150°C, the device stops operating. As soon as the junction temperature drops below the shutdown temperature minus the hysteresis, typically 130°C, the device starts operating again.

### 8.3.6 Device Functional Modes

- [Boost Controller Circuit](#) - Continuous and discontinuous current operation
- Protective mechanisms
  - [Current Limit Operation](#)
  - [Undervoltage Lockout](#)
  - [Overtemperature Protection](#)

## 9 Application and Implementation

### NOTE

Information in the following applications sections is not part of the TI component specification, and TI does not warrant its accuracy or completeness. TI's customers are responsible for determining suitability of components for their purposes. Customers should validate and test their design implementation to confirm system functionality.

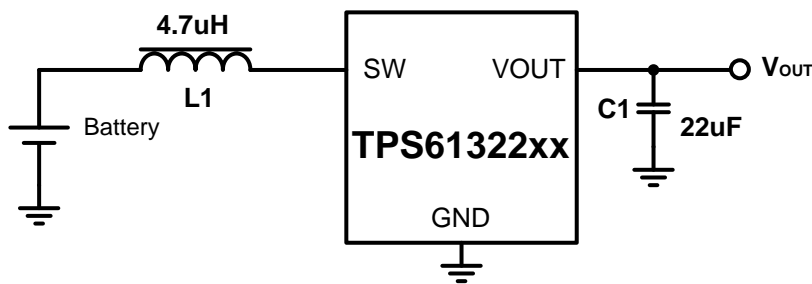
### 9.1 Application Information

The TPS61322xx is designed to operate at a wide input voltage range from 0.9-V to 5.5-V. The minimum peak switch current limit is 0.5 A for TPS61322, with 0.75 A for TPS613221A and 1.1 A for TPS613222A. The TPS61322xx supports output voltage from 1.8 V to 5.5 V with increment of 0.1 V, refer to [Device Comparison Table](#) for device details to select the right device for the target applications. Use the following design procedure to select component values for the TPS61322xx.

### 9.2 Typical Application

#### 9.2.1 Boost without Schottky Diode

A typical application example is the wireless mouse, which normally requires 2.2-V voltage as its supply voltage and consumes less than 50-mA current from one-cell alkaline battery. The following design procedure can be used to select external component values for TPS61322xx.



Copyright © 2017, Texas Instruments Incorporated

Figure 16. Typical Application Circuit without Schottky Diode

#### 9.2.1.1 Design Requirements

Table 1. Design Requirements

| PARAMETERS            | VALUES         |
|-----------------------|----------------|
| Input voltage         | 0.9 V to 1.6 V |
| Output voltage        | 2.2 V          |
| Output current        | 50 mA          |
| Output voltage ripple | ±10 mV         |

### 9.2.1.2 Detailed Design Procedure

#### 9.2.1.2.1 Custom Design With WEBENCH® Tools

[Click here](#) to create a custom design using the TPS61322 device with the WEBENCH® Power Designer.

1. Start by entering the input voltage ( $V_{IN}$ ), output voltage ( $V_{OUT}$ ), and output current ( $I_{OUT}$ ) requirements.
2. Optimize the design for key parameters such as efficiency, footprint, and cost using the optimizer dial.
3. Compare the generated design with other possible solutions from Texas Instruments.

The WEBENCH Power Designer provides a customized schematic along with a list of materials with real-time pricing and component availability.

In most cases, these actions are available:

- Run electrical simulations to see important waveforms and circuit performance
- Run thermal simulations to understand board thermal performance
- Export customized schematic and layout into popular CAD formats
- Print PDF reports for the design, and share the design with colleagues

Get more information about WEBENCH tools at [www.ti.com/WEBENCH](http://www.ti.com/WEBENCH).

#### 9.2.1.2.2 Maximum Output Current

For boost converters, the maximum output current capability is determined by the input to output ratio, the efficiency, the inductor current ripple and the current limit. The maximum output current can be estimated by [Equation 1](#)

$$I_{OUT (max)} = \frac{V_{IN} \times (I_{LIM} - \frac{I_{LH}}{2}) \times \eta}{V_{OUT}}$$

where

- $I_{LIM}$  is the peak inductor current limit
  - $I_{LH}$  is the inductor current ripple
  - $\eta$  is the boost converter power convert efficiency
- (1)

Minimum input voltage, maximum boost output voltage and minimum current limit should be used as the worst case condition for the estimation.

In this example, assume the power efficiency is 70% at the minimum input voltage of 0.9 V. The calculated maximum output current is 114 mA, which satisfies the application requirements.

#### 9.2.1.2.3 Inductor Selection

Because the inductor affects steady state operation, transient behavior, and loop stability, the inductor is the most important component in power regulator design. There are three important inductor specifications, inductor value, saturation current, and dc resistance (DCR).

The TPS61322xx is optimized to work with inductor values between 0.7  $\mu$ H and 13  $\mu$ H. The inductor values affect the switching frequency. The estimated switching frequency in continuous conduction mode (CCM) can be calculated by [Equation 2](#). The switching frequency  $f_{SW}$  is not a constant value, which is determined by the inductance, the inductor current ripple, the input voltage and the output voltage. The current ripple  $I_{LH}$  is fixed to 200 mA typically, but it can be affected by the inductor value indirectly. Normally when a smaller inductor value is applied, the inductor current ramps up and down more quickly. The current ripple becomes bigger because the internal current comparator has delay to respond. If a smaller inductor peak current is required in applications, a higher inductor value can be used. However, The inductor and output capacitor must be considered together for the loop stability. The output capacitor and the inductance will influence the bandwidth and phase margin of the converter. Consequently, with a larger inductor, a bigger capacitor normally must be used to ensure the same L/C ratio for a stable loop. For best stability consideration, a 4.7- $\mu$ H inductor is recommended for 2.2-V output voltage application.

$$f_{SW} = \frac{V_{IN} \times (V_{OUT} - V_{IN} \times \eta)}{L \times I_{LH} \times V_{OUT}}$$

where

- $f_{SW}$  is the switching frequency of the converter
- $I_{LH}$  is the inductor current ripple
- $\eta$  is the boost converter power convert efficiency

(2)

Having selected the inductance value, follow [Equation 3](#) to [Equation 5](#) to calculate the inductor's peak current for the application. Depending on different load conditions, the TPS61322xx works in continuous current mode or discontinuous conduction mode(DCM). In different modes, the peak currents of the inductor are also different. [Equation 3](#) provides an easy way to estimate whether the device works in CCM or DCM. [Equation 4](#) shows the peak current when the device works in CCM and [Equation 5](#) shows the peak current when the device works in DCM.

$$\frac{V_{OUT} \times I_{OUT}}{V_{IN} \times \eta} > \frac{I_{LH}}{2}$$

where

- $I_{LH}$  is the inductor current ripple
- $\eta$  is the boost converter power convert efficiency

(3)

$$I_{L,peak} = \frac{V_{OUT} \times I_{OUT}}{V_{IN} \times \eta} + \frac{I_{LH}}{2}$$

where

- $I_{L,peak}$  is the peak current of the inductor
- $I_{LH}$  is the inductor current ripple
- $\eta$  is the boost converter power convert efficiency

(4)

$$I_{L,peak} = I_{LH}$$

where

- $I_{L,peak}$  is the peak inductor.
- $I_{LH}$  is the inductor current ripple

(5)

The saturation current of the inductor must be higher than the calculated peak inductor current, otherwise the excessive peak current in the inductor harms the device and reduces the system reliability.

In this example, the maximum load for the boost converter is 50 mA, the minimum input voltage is 0.9 V, and the efficiency under this condition can be estimated at 80%, so the boost converter works in continuous operation mode by the calculation. The inductor peak current is calculated as 258 mA. To have some margin, a 4.7- $\mu$ H inductor with at least 300 mA saturation current is recommended for this application. A 10- $\mu$ H inductor can be used as well by increasing the output capacitance to higher than 22  $\mu$ F to make the loop stable. [Table 2](#) lists the recommended inductors for TPS61322xx device.

**Table 2. List of Inductors**

| INDUCTAN<br>CE [ $\mu$ H] | SATURATION CURRENT<br>[A] | DC<br>RESISTAN<br>CE [m $\Omega$ ] | SIZE (L×W×H)(mm) | PART NUMBER        | MANUFACTURER <sup>(1)</sup> |
|---------------------------|---------------------------|------------------------------------|------------------|--------------------|-----------------------------|
| 4.7                       | 1.7                       | 165                                | 2.5 × 2 × 1.2    | DFE252012P-4R7M=P2 | MURATA                      |
| 4.7                       | 1.5                       | 141                                | 3 × 3 × 1.5      | 74438335047        | Würth                       |
| 4.7                       | 1.5                       | 209                                | 2.5 × 2 × 1.2    | SDEM25201B-4R7MS   | CYNTEC                      |

(1) See [Third-party Products Disclaimer](#)

### 9.2.1.2.4 Capacitor Selection

For better output voltage filtering, TI recommends low ESR X5R or X7R ceramic capacitors.

For the output capacitor at the VOUT pin, TI recommends small ceramic capacitors. Place the capacitors as close as possible to the VOUT and GND pins of the device. If, for any reason, the application requires the use of large capacitors that cannot be placed close to the device, the use of a small ceramic capacitor with a capacitance value of 1  $\mu\text{F}$  in parallel to the large one is recommended. Place this small capacitor as close as possible to the VOUT and GND pins of the device.

Considering loop stability, for inductance of 4.7  $\mu\text{H}$ , the minimal output capacitor value is 10  $\mu\text{F}$  (effective value). Refer to [Table 3](#) for inductor and capacitor combination. Increasing the output capacitor makes the output ripple smaller.

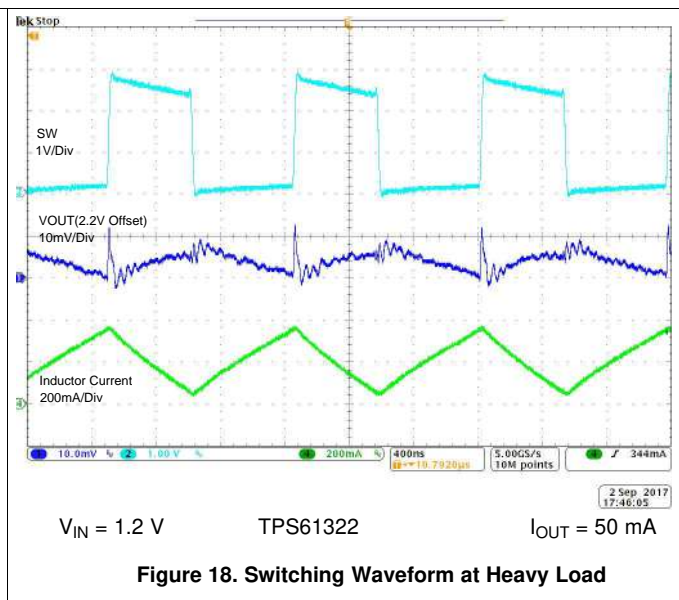
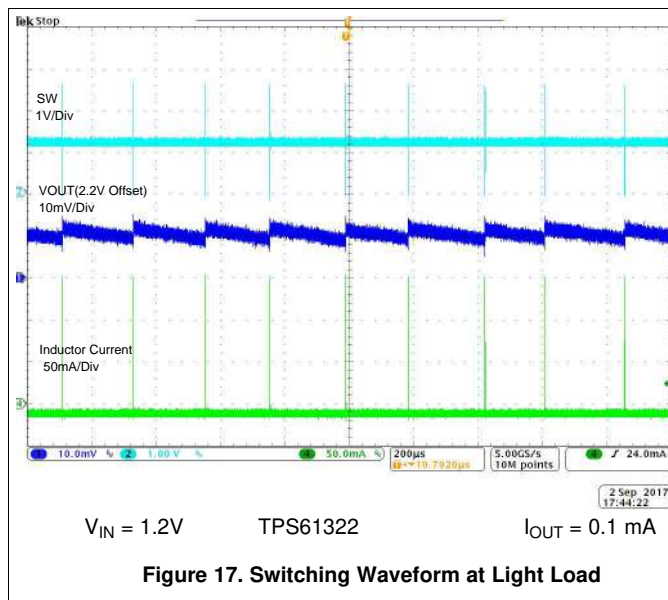
When selecting capacitors, ceramic capacitor’s derating effect under DC bias voltage must be considered. Choose the right nominal capacitance by checking capacitor’s DC bias characteristics. In this example, GRM188R60J106ME84D, which is a 10- $\mu\text{F}$  ceramic capacitor with high effective capacitance value at DC biased condition, is selected for V<sub>OUT</sub> rail. Two 10- $\mu\text{F}$  capacitors in parallel are recommended to get the desired effective capacitance.

**Table 3. List of Inductor and Capacitor**

| INDUCTANCE [ $\mu\text{H}$ ] | CAPACITANCE [ $\mu\text{F}$ ] | LOAD [mA] | PACKAGE | PART NUMBER        | MANUFACTURER <sup>(1)</sup> |
|------------------------------|-------------------------------|-----------|---------|--------------------|-----------------------------|
| 1.0                          | 2 × 10                        | 50        | 0603    | GRM188R60J106ME84D | MURATA                      |
| 2.2                          | 2 × 10                        | 50        | 0603    | GRM188R60J106ME84D | MURATA                      |
| 4.7                          | 22                            | 50        | 0805    | GRM21BZ71A226ME15  | MURATA                      |

(1) See [Third-party Products Disclaimer](#)

### 9.2.1.3 Application Curves



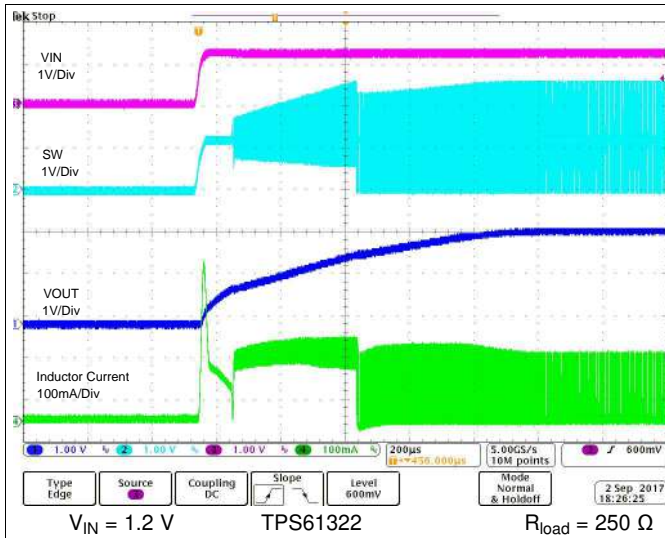


Figure 19. Start-up by VIN

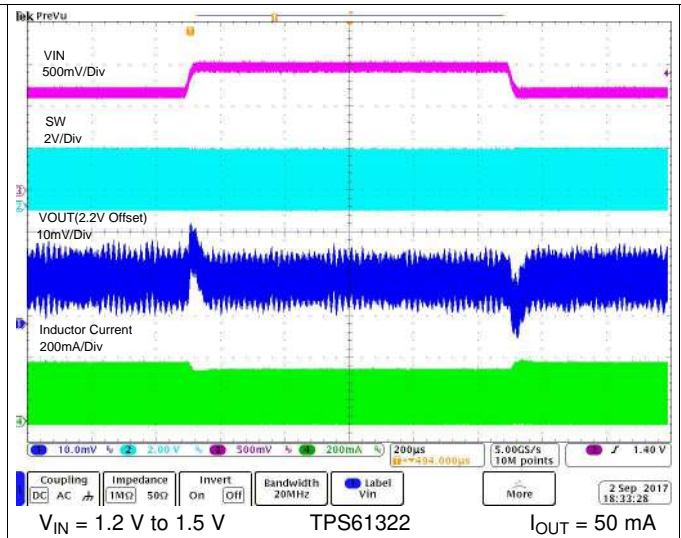


Figure 20. Line Transient

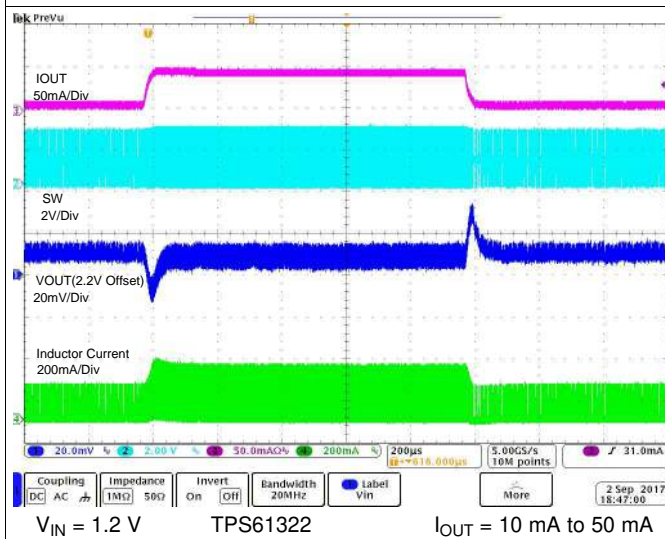


Figure 21. Load Transient

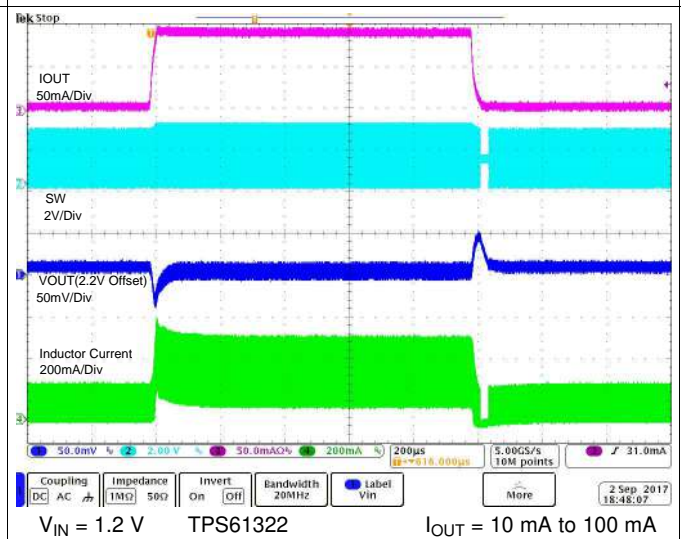
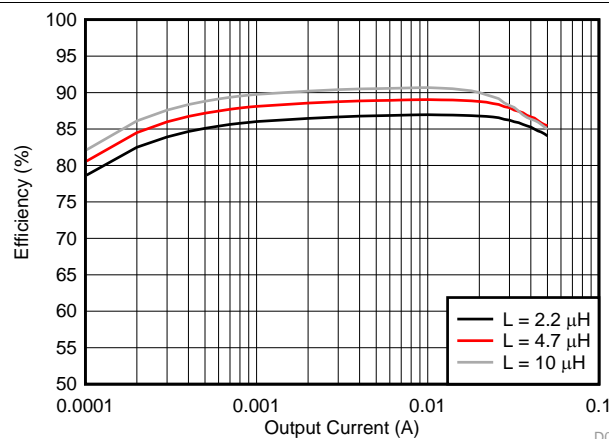


Figure 22. Load Transient



Wurth Electronics, 74438335XXX family

2.2 μH, 4.7 μH, 10 μH

D007  
VIN = 1.2 V

TPS61322

Figure 23. Efficiency with Different Inductance

### 9.2.2 Boost with Schottky Diode

Another typical application example is the USB OTG which normally requires 5-V output as its supply voltage and consumes as high as 500-mA current. The following design procedure can be used to select external component values for this application.

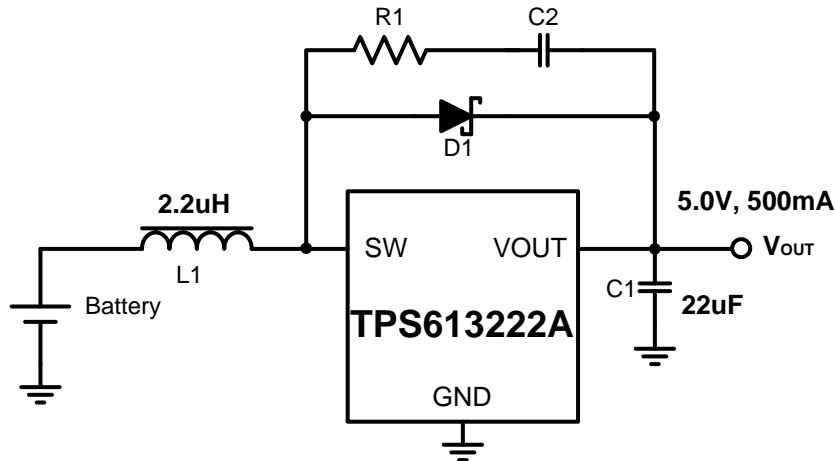


Figure 24. Typical Application Circuit with Schottky Diode

#### 9.2.2.1 Design Requirements

Table 4. Design Requirements

| PARAMETERS            | VALUES        |
|-----------------------|---------------|
| Input voltage         | 3 V to 4.35 V |
| Output voltage        | 5 V           |
| Output current        | 500 mA        |
| Output voltage ripple | ± 25 mV       |

#### 9.2.2.2 Detailed Design Procedure

##### 9.2.2.2.1 Inductor Selection

The peak current is calculated according to Equation 4 and Equation 5. The saturation current of the inductor must be higher than the calculated peak inductor current.

In this example, the maximum load for the boost converter is 500 mA, and the minimum input voltage is 3 V. Assuming the efficiency under this condition is 90%, and a typical 2.2-μH inductor is adopted in this application, so the boost converter works in continuous operation mode by the calculation. The current ripple is 500mA and the inductor peak current is calculated as 1.18 A. To leave some margin, a 2.2-μH inductor with at least 1.4-A saturation current is recommended for this application. Table 5 lists the recommended inductors for TPS61322A device.

Table 5. List of Inductors

| INDUCTANCE [μH] | SATURATION CURRENT [A] | DC RESISTANCE [mΩ] | SIZE (L×W×H) (mm) | PART NUMBER       | MANUFACTURER <sup>(1)</sup> |
|-----------------|------------------------|--------------------|-------------------|-------------------|-----------------------------|
| 2.2             | 2.3                    | 82                 | 2.5 × 2 × 1.2     | DFE252012F-2R2M   | MURATA                      |
| 2.2             | 2.4                    | 89                 | 2.5 × 2 × 1       | HMLQ25201T-2R2MSR | CYNTEC                      |
| 2.2             | 2.5                    | 75                 | 3.2 × 2.5 × 1.2   | HMME32251B--2R2MS | CYNTEC                      |

(1) See [Third-party Products Disclaimer](#)



9.2.2.2.2 Schottky Diode Selection

The high switching frequency of TPS61322xx demands a high-speed rectifying switch for optimum efficiency. Ensure that the average and peak current rating of the diode exceeds the average output current and peak inductor current. In addition, the reverse breakdown voltage of the diode must exceed the maximum output voltage of the converter. A snubber circuit consisting of a resistor R1 and a capacitor C2 is needed if the Schottky diode D1 is soldered. The capacitance of C2 must be larger than triple times of the diode capacitance. The typical value of the resistor R1 is 5 Ω, and the typical value of the capacitor C2 is 120 pF.

9.2.2.2.3 Capacitor Selection

Refer to [Capacitor Selection](#) for the detailed design steps. Table 6 lists the recommended inductor and capacitor combination. Three 10-μF capacitors in parallel are recommended to get the desired effective capacitance.

Table 6. List of Inductor and Capacitor

| INDUCTANCE [μH] | CAPACITANCE [μF] | LOAD [mA] | PACKAGE | PART NUMBER        | MANUFACTURER <sup>(1)</sup> |
|-----------------|------------------|-----------|---------|--------------------|-----------------------------|
| 1               | 3 × 10           | 500       | 0603    | GRM188R60J106ME84D | MURATA                      |
| 2.2             | 3 × 10           | 500       | 0603    | GRM188R60J106ME84D | MURATA                      |
| 4.7             | 2 × 22           | 500       | 0805    | GRM21BZ71A226ME15  | MURATA                      |

(1) See [Third-party Products Disclaimer](#)

9.2.2.3 Application Curves

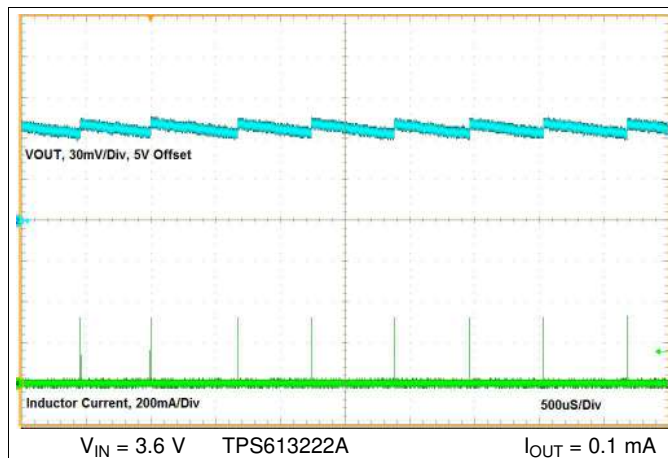


Figure 25. Switching Waveform at Light Load

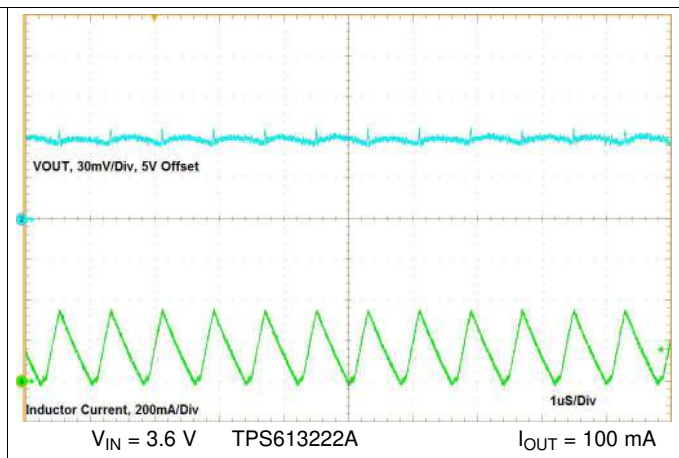


Figure 26. Switching Waveform at Heavy Load

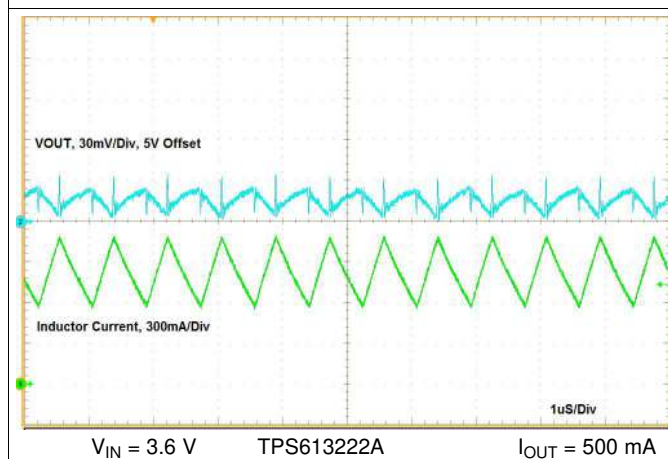


Figure 27. Switching Waveform at Heavy Load

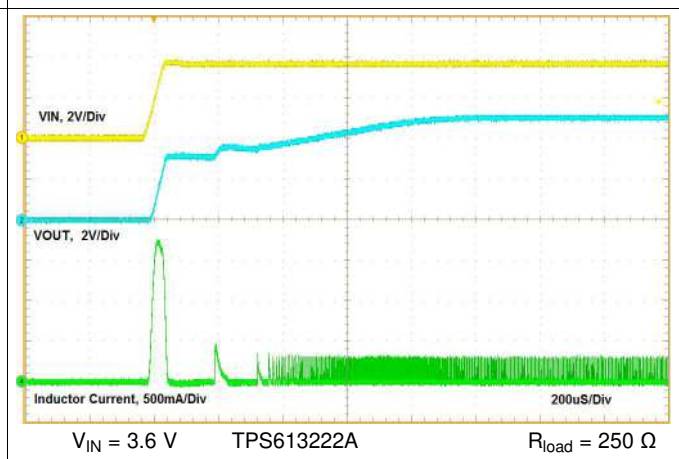


Figure 28. Start-up by VIN

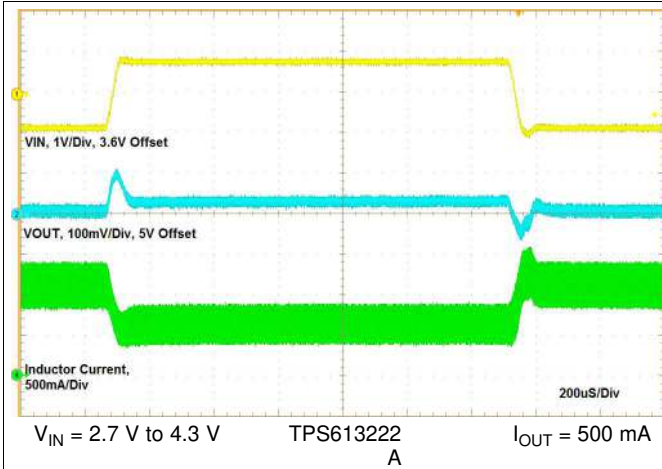


Figure 29. Line Transient

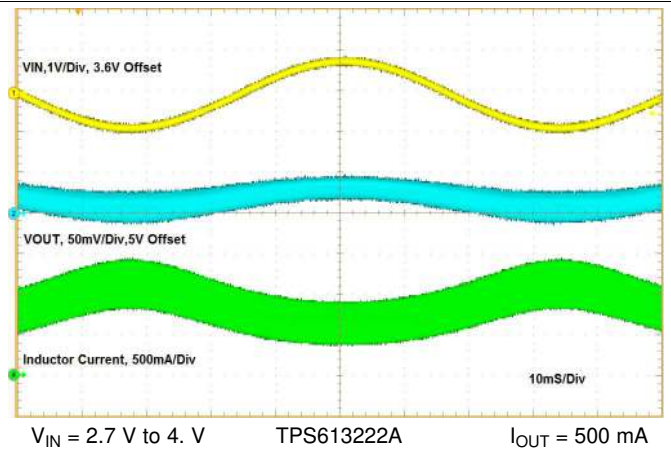


Figure 30. Line Regulation

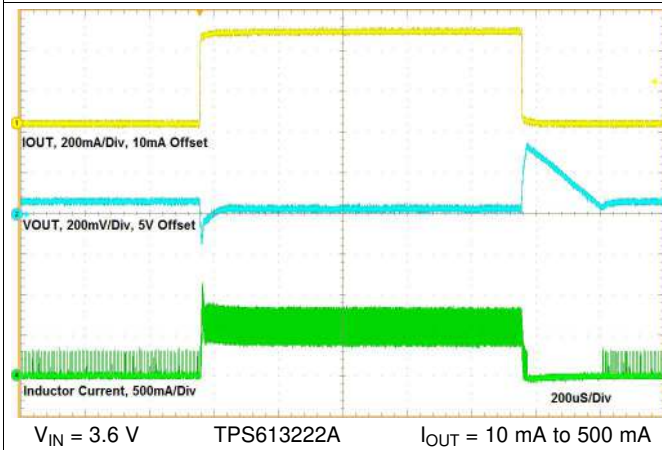


Figure 31. Load Transient

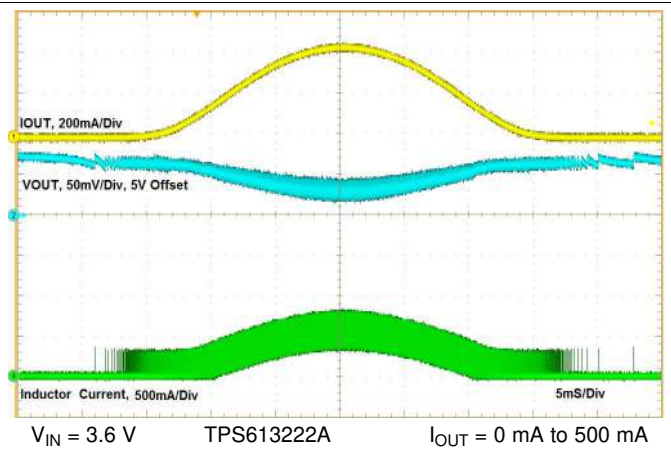


Figure 32. Load Regulation

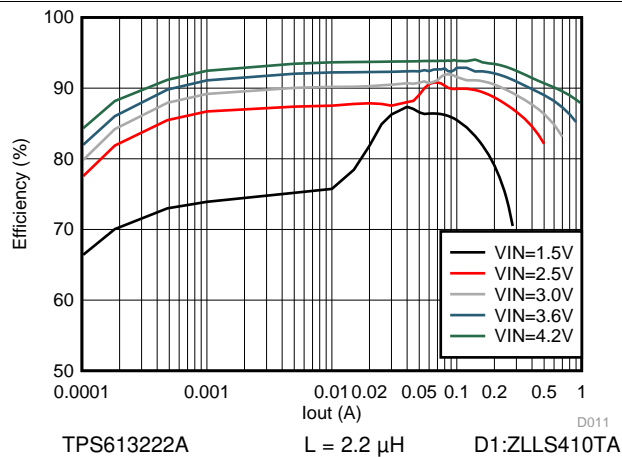


Figure 33. Efficiency with Different Input Voltage

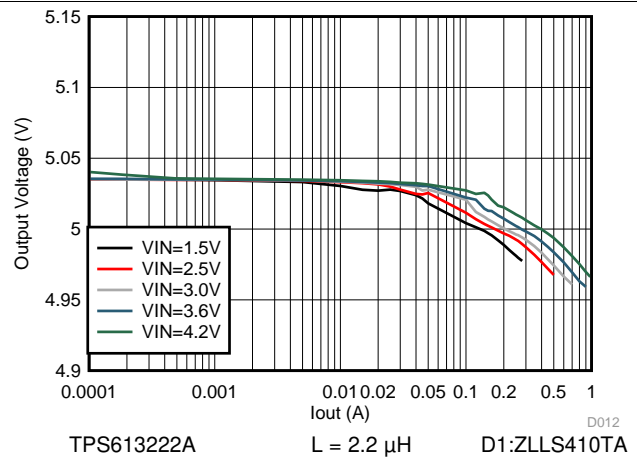
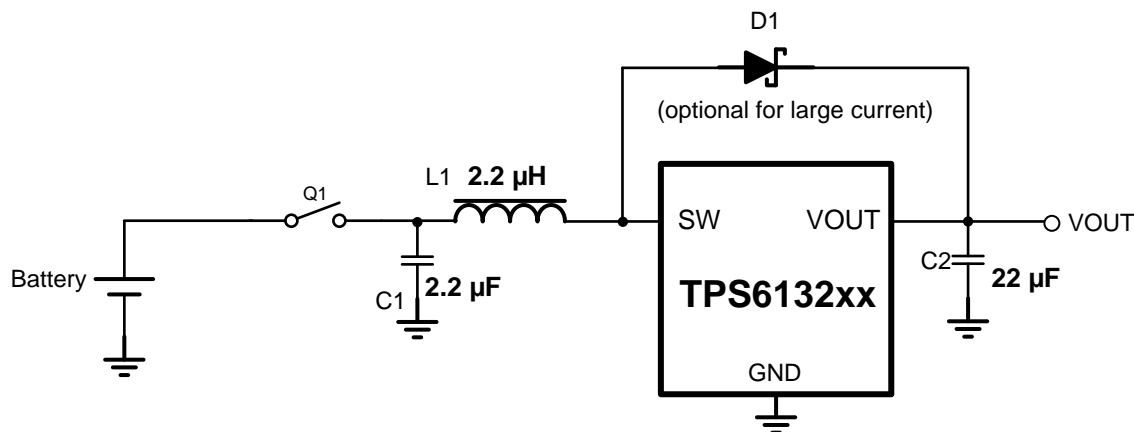


Figure 34. Load Regulation

### 9.3 System Examples

TPS61322xx can be easily shut down with an external switch Q1 as shown in Figure 35. The switch can be mechanical switch, a P-channel MOSFET, or a PNP transistor. For a mechanical switch, there is no control logic needed to turn on or turn off the switch.

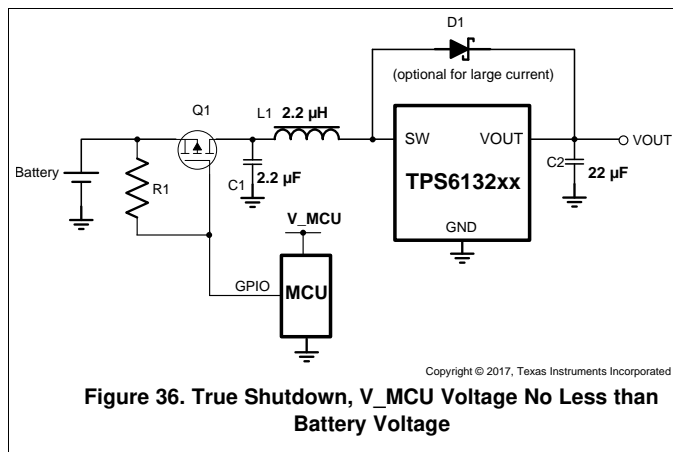


Copyright © 2017, Texas Instruments Incorporated

Figure 35. True Shutdown for TPS61322xx

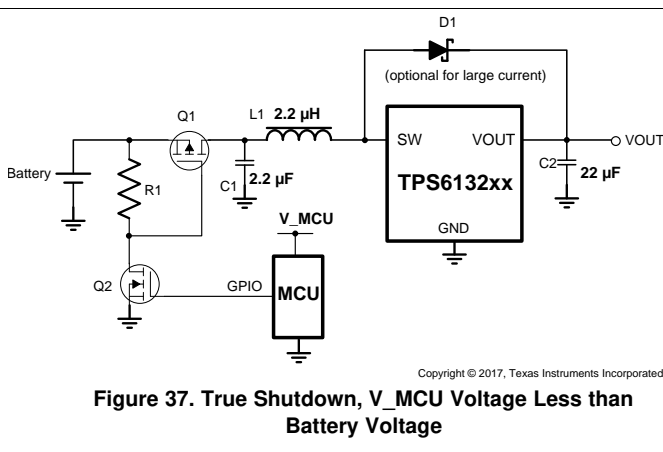
#### 9.3.1 Detail Design Schematics

The Figure 36 shows the application circuit when the power supply of the micro controller unit (MCU) is not less than the battery voltage. The Figure 37 shows the application circuit when the power supply of the micro controller unit (MCU) is less than the battery voltage



Copyright © 2017, Texas Instruments Incorporated

Figure 36. True Shutdown, V\_MCU Voltage No Less than Battery Voltage



Copyright © 2017, Texas Instruments Incorporated

Figure 37. True Shutdown, V\_MCU Voltage Less than Battery Voltage

## 10 Power Supply Recommendations

The TPS61322xx is designed to operate from an input voltage supply range between 0.9 V to 5.5 V. The power supply can be alkaline battery, NiMH rechargeable battery, Li-Mn battery or rechargeable Li-ion battery. The input supply must be well regulated with the rating of the TPS61322xx.

## 11 Layout

### 11.1 Layout Guidelines

As for all switching power supplies, the layout is an important step in the design, especially at high peak currents and high switching frequencies. If the layout is not carefully done, the regulator could show stability problems as well as EMI problems. Therefore, use wide and short traces for the main current path and for the power ground paths. Place the output capacitor, as well as the inductor, as close as possible to the device.

**TPS61322**

SLVSDY5D – JANUARY 2018 – REVISED FEBRUARY 2019

[www.ti.com](http://www.ti.com)

**11.2 Layout Examples**

A large ground plane on the top and bottom is good for thermal performance.

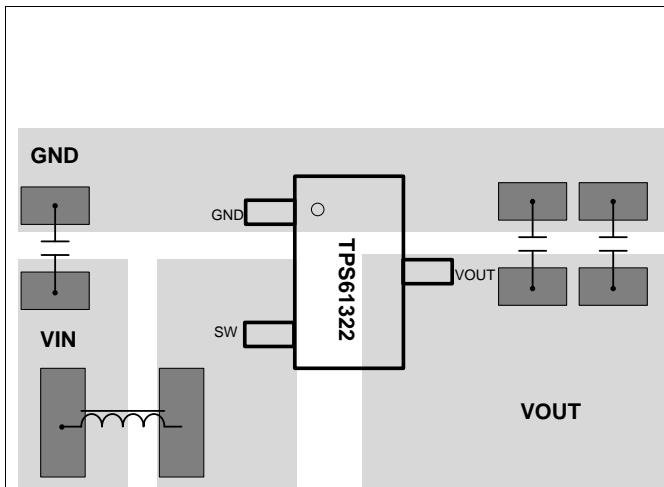


Figure 38. TPS61322 Layout

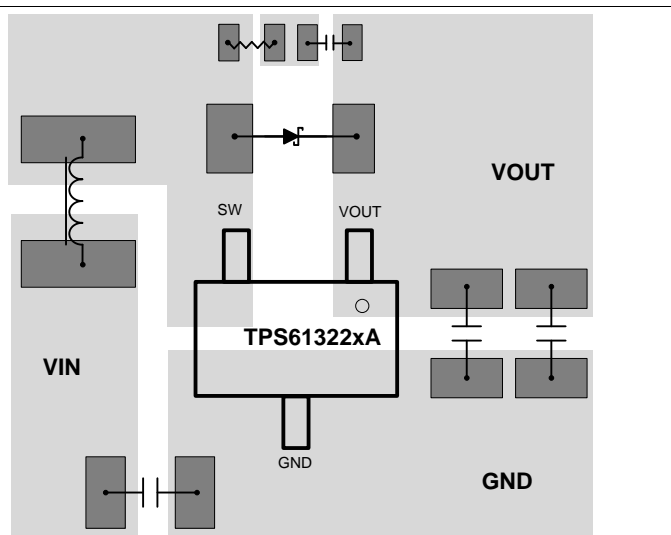


Figure 39. TPS61322xA DBZ Package Layout

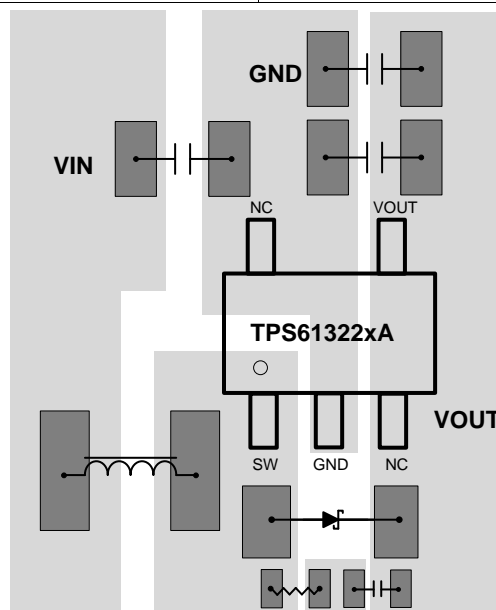


Figure 40. TPS61322xA DBV Package Layout

## 12 Device and Documentation Support

### 12.1 Device Support

#### 12.1.1 Third-Party Products Disclaimer

TI'S PUBLICATION OF INFORMATION REGARDING THIRD-PARTY PRODUCTS OR SERVICES DOES NOT CONSTITUTE AN ENDORSEMENT REGARDING THE SUITABILITY OF SUCH PRODUCTS OR SERVICES OR A WARRANTY, REPRESENTATION OR ENDORSEMENT OF SUCH PRODUCTS OR SERVICES, EITHER ALONE OR IN COMBINATION WITH ANY TI PRODUCT OR SERVICE.

#### 12.1.2 Development Support

##### 12.1.2.1 Custom Design With WEBENCH® Tools

[Click here](#) to create a custom design using the TPS61322 device with the WEBENCH® Power Designer.

1. Start by entering the input voltage ( $V_{IN}$ ), output voltage ( $V_{OUT}$ ), and output current ( $I_{OUT}$ ) requirements.
2. Optimize the design for key parameters such as efficiency, footprint, and cost using the optimizer dial.
3. Compare the generated design with other possible solutions from Texas Instruments.

The WEBENCH Power Designer provides a customized schematic along with a list of materials with real-time pricing and component availability.

In most cases, these actions are available:

- Run electrical simulations to see important waveforms and circuit performance
- Run thermal simulations to understand board thermal performance
- Export customized schematic and layout into popular CAD formats
- Print PDF reports for the design, and share the design with colleagues

Get more information about WEBENCH tools at [www.ti.com/WEBENCH](http://www.ti.com/WEBENCH).

### 12.2 Documentation Support

#### 12.2.1 Related Documentation

For related documentation see the following:

[TPS61322-BMC001 Evaluation Module User's Guide](#)

#### 12.3 Receiving Notification of Documentation Updates

To receive notification of documentation updates, navigate to the device product folder on ti.com. In the upper right corner, click on *Alert me* to register and receive a weekly digest of any product information that has changed. For change details, review the revision history included in any revised document.

#### 12.4 Community Resources

The following links connect to TI community resources. Linked contents are provided "AS IS" by the respective contributors. They do not constitute TI specifications and do not necessarily reflect TI's views; see TI's [Terms of Use](#).

**TI E2E™ Online Community** *TI's Engineer-to-Engineer (E2E) Community*. Created to foster collaboration among engineers. At [e2e.ti.com](http://e2e.ti.com), you can ask questions, share knowledge, explore ideas and help solve problems with fellow engineers.

**Design Support** *TI's Design Support* Quickly find helpful E2E forums along with design support tools and contact information for technical support.

#### 12.5 Trademarks

E2E is a trademark of Texas Instruments.

WEBENCH is a registered trademark of Texas Instruments.

All other trademarks are the property of their respective owners.

## 12.6 Electrostatic Discharge Caution



This integrated circuit can be damaged by ESD. Texas Instruments recommends that all integrated circuits be handled with appropriate precautions. Failure to observe proper handling and installation procedures can cause damage.

ESD damage can range from subtle performance degradation to complete device failure. Precision integrated circuits may be more susceptible to damage because very small parametric changes could cause the device not to meet its published specifications.

## 12.7 Glossary

[SLYZ022](#) — *TI Glossary*.

This glossary lists and explains terms, acronyms, and definitions.

## 13 Mechanical, Packaging, and Orderable Information

The following pages include mechanical, packaging, and orderable information. This information is the most current data available for the designated devices. This data is subject to change without notice and revision of this document. For browser-based versions of this data sheet, refer to the left-hand navigation.



## PACKAGING INFORMATION

| Orderable Device | Status<br>(1) | Package Type | Package Drawing | Pins | Package Qty | Eco Plan<br>(2) | Lead finish/<br>Ball material<br>(6) | MSL Peak Temp<br>(3) | Op Temp (°C) | Device Marking<br>(4/5) | Samples                 |
|------------------|---------------|--------------|-----------------|------|-------------|-----------------|--------------------------------------|----------------------|--------------|-------------------------|-------------------------|
| TPS613221ADBVR   | ACTIVE        | SOT-23       | DBV             | 5    | 3000        | RoHS & Green    | NIPDAU   SN                          | Level-2-260C-1 YEAR  | -40 to 85    | 1N4L                    | <a href="#">Samples</a> |
| TPS613221ADBVT   | ACTIVE        | SOT-23       | DBV             | 5    | 250         | RoHS & Green    | NIPDAU   SN                          | Level-2-260C-1 YEAR  | -40 to 85    | 1N4L                    | <a href="#">Samples</a> |
| TPS613222ADBVR   | ACTIVE        | SOT-23       | DBV             | 5    | 3000        | RoHS & Green    | NIPDAU   SN                          | Level-2-260C-1 YEAR  | -40 to 85    | 1N5L                    | <a href="#">Samples</a> |
| TPS613222ADBVT   | ACTIVE        | SOT-23       | DBV             | 5    | 250         | RoHS & Green    | NIPDAU   SN                          | Level-2-260C-1 YEAR  | -40 to 85    | 1N5L                    | <a href="#">Samples</a> |
| TPS613223ADBVR   | ACTIVE        | SOT-23       | DBV             | 5    | 3000        | RoHS & Green    | NIPDAU   SN                          | Level-2-260C-1 YEAR  | -40 to 85    | 1NRL                    | <a href="#">Samples</a> |
| TPS613223ADBVT   | ACTIVE        | SOT-23       | DBV             | 5    | 250         | RoHS & Green    | NIPDAU   SN                          | Level-2-260C-1 YEAR  | -40 to 85    | 1NRL                    | <a href="#">Samples</a> |
| TPS613226ADBVR   | ACTIVE        | SOT-23       | DBV             | 5    | 3000        | RoHS & Green    | NIPDAU   SN                          | Level-2-260C-1 YEAR  | -40 to 85    | 1N6L                    | <a href="#">Samples</a> |
| TPS613226ADBVT   | ACTIVE        | SOT-23       | DBV             | 5    | 250         | RoHS & Green    | NIPDAU   SN                          | Level-2-260C-1 YEAR  | -40 to 85    | 1N6L                    | <a href="#">Samples</a> |
| TPS61322DBZR     | ACTIVE        | SOT-23       | DBZ             | 3    | 3000        | RoHS & Green    | SN                                   | Level-1-260C-UNLIM   | -40 to 85    | 1EME                    | <a href="#">Samples</a> |
| TPS61322DBZT     | ACTIVE        | SOT-23       | DBZ             | 3    | 250         | RoHS & Green    | SN                                   | Level-1-260C-UNLIM   | -40 to 85    | 1EME                    | <a href="#">Samples</a> |
| XTPS61322DBZT    | OBSOLETE      | SOT-23       | DBZ             | 3    |             | TBD             | Call TI                              | Call TI              |              |                         |                         |

(1) The marketing status values are defined as follows:

**ACTIVE:** Product device recommended for new designs.

**LIFEBUY:** TI has announced that the device will be discontinued, and a lifetime-buy period is in effect.

**NRND:** Not recommended for new designs. Device is in production to support existing customers, but TI does not recommend using this part in a new design.

**PREVIEW:** Device has been announced but is not in production. Samples may or may not be available.

**OBSOLETE:** TI has discontinued the production of the device.

(2) **RoHS:** TI defines "RoHS" to mean semiconductor products that are compliant with the current EU RoHS requirements for all 10 RoHS substances, including the requirement that RoHS substance do not exceed 0.1% by weight in homogeneous materials. Where designed to be soldered at high temperatures, "RoHS" products are suitable for use in specified lead-free processes. TI may reference these types of products as "Pb-Free".

**RoHS Exempt:** TI defines "RoHS Exempt" to mean products that contain lead but are compliant with EU RoHS pursuant to a specific EU RoHS exemption.

**Green:** TI defines "Green" to mean the content of Chlorine (Cl) and Bromine (Br) based flame retardants meet JS709B low halogen requirements of <=1000ppm threshold. Antimony trioxide based flame retardants must also meet the <=1000ppm threshold requirement.

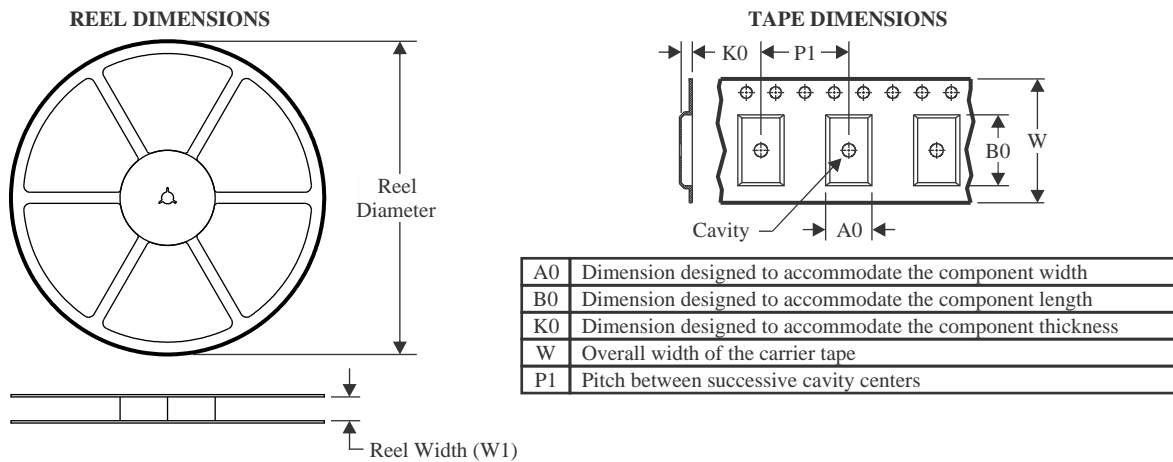
(3) MSL, Peak Temp. - The Moisture Sensitivity Level rating according to the JEDEC industry standard classifications, and peak solder temperature.

- (4) There may be additional marking, which relates to the logo, the lot trace code information, or the environmental category on the device.
- (5) Multiple Device Markings will be inside parentheses. Only one Device Marking contained in parentheses and separated by a "~" will appear on a device. If a line is indented then it is a continuation of the previous line and the two combined represent the entire Device Marking for that device.
- (6) Lead finish/Ball material - Orderable Devices may have multiple material finish options. Finish options are separated by a vertical ruled line. Lead finish/Ball material values may wrap to two lines if the finish value exceeds the maximum column width.

**Important Information and Disclaimer:**The information provided on this page represents TI's knowledge and belief as of the date that it is provided. TI bases its knowledge and belief on information provided by third parties, and makes no representation or warranty as to the accuracy of such information. Efforts are underway to better integrate information from third parties. TI has taken and continues to take reasonable steps to provide representative and accurate information but may not have conducted destructive testing or chemical analysis on incoming materials and chemicals. TI and TI suppliers consider certain information to be proprietary, and thus CAS numbers and other limited information may not be available for release.

In no event shall TI's liability arising out of such information exceed the total purchase price of the TI part(s) at issue in this document sold by TI to Customer on an annual basis.

## TAPE AND REEL INFORMATION



### QUADRANT ASSIGNMENTS FOR PIN 1 ORIENTATION IN TAPE



\*All dimensions are nominal

| Device         | Package Type | Package Drawing | Pins | SPQ  | Reel Diameter (mm) | Reel Width W1 (mm) | A0 (mm) | B0 (mm) | K0 (mm) | P1 (mm) | W (mm) | Pin1 Quadrant |
|----------------|--------------|-----------------|------|------|--------------------|--------------------|---------|---------|---------|---------|--------|---------------|
| TPS613221ADBVR | SOT-23       | DBV             | 5    | 3000 | 180.0              | 8.4                | 3.2     | 3.2     | 1.4     | 4.0     | 8.0    | Q3            |
| TPS613221ADBVT | SOT-23       | DBV             | 5    | 250  | 180.0              | 8.4                | 3.2     | 3.2     | 1.4     | 4.0     | 8.0    | Q3            |
| TPS613222ADBVR | SOT-23       | DBV             | 5    | 3000 | 180.0              | 8.4                | 3.2     | 3.2     | 1.4     | 4.0     | 8.0    | Q3            |
| TPS613222ADBVR | SOT-23       | DBV             | 5    | 3000 | 180.0              | 8.4                | 3.2     | 3.2     | 1.4     | 4.0     | 8.0    | Q3            |
| TPS613222ADBVT | SOT-23       | DBV             | 5    | 250  | 180.0              | 8.4                | 3.2     | 3.2     | 1.4     | 4.0     | 8.0    | Q3            |
| TPS613222ADBVT | SOT-23       | DBV             | 5    | 250  | 180.0              | 8.4                | 3.2     | 3.2     | 1.4     | 4.0     | 8.0    | Q3            |
| TPS613223ADBVR | SOT-23       | DBV             | 5    | 3000 | 180.0              | 8.4                | 3.2     | 3.2     | 1.4     | 4.0     | 8.0    | Q3            |
| TPS613223ADBVR | SOT-23       | DBV             | 5    | 3000 | 180.0              | 8.4                | 3.2     | 3.2     | 1.4     | 4.0     | 8.0    | Q3            |
| TPS613223ADBVT | SOT-23       | DBV             | 5    | 250  | 180.0              | 8.4                | 3.2     | 3.2     | 1.4     | 4.0     | 8.0    | Q3            |
| TPS613223ADBVT | SOT-23       | DBV             | 5    | 250  | 180.0              | 8.4                | 3.2     | 3.2     | 1.4     | 4.0     | 8.0    | Q3            |
| TPS613226ADBVR | SOT-23       | DBV             | 5    | 3000 | 180.0              | 8.4                | 3.2     | 3.2     | 1.4     | 4.0     | 8.0    | Q3            |
| TPS613226ADBVT | SOT-23       | DBV             | 5    | 250  | 180.0              | 8.4                | 3.2     | 3.2     | 1.4     | 4.0     | 8.0    | Q3            |
| TPS61322DBZR   | SOT-23       | DBZ             | 3    | 3000 | 178.0              | 9.0                | 3.15    | 2.77    | 1.22    | 4.0     | 8.0    | Q3            |
| TPS61322DBZT   | SOT-23       | DBZ             | 3    | 250  | 178.0              | 9.0                | 3.15    | 2.77    | 1.22    | 4.0     | 8.0    | Q3            |

**TAPE AND REEL BOX DIMENSIONS**


\*All dimensions are nominal

| Device         | Package Type | Package Drawing | Pins | SPQ  | Length (mm) | Width (mm) | Height (mm) |
|----------------|--------------|-----------------|------|------|-------------|------------|-------------|
| TPS613221ADBVR | SOT-23       | DBV             | 5    | 3000 | 210.0       | 185.0      | 35.0        |
| TPS613221ADBVT | SOT-23       | DBV             | 5    | 250  | 210.0       | 185.0      | 35.0        |
| TPS613222ADBVR | SOT-23       | DBV             | 5    | 3000 | 210.0       | 185.0      | 35.0        |
| TPS613222ADBVR | SOT-23       | DBV             | 5    | 3000 | 210.0       | 185.0      | 35.0        |
| TPS613222ADBVT | SOT-23       | DBV             | 5    | 250  | 210.0       | 185.0      | 35.0        |
| TPS613222ADBVT | SOT-23       | DBV             | 5    | 250  | 210.0       | 185.0      | 35.0        |
| TPS613223ADBVR | SOT-23       | DBV             | 5    | 3000 | 210.0       | 185.0      | 35.0        |
| TPS613223ADBVR | SOT-23       | DBV             | 5    | 3000 | 210.0       | 185.0      | 35.0        |
| TPS613223ADBVT | SOT-23       | DBV             | 5    | 250  | 210.0       | 185.0      | 35.0        |
| TPS613223ADBVT | SOT-23       | DBV             | 5    | 250  | 210.0       | 185.0      | 35.0        |
| TPS613226ADBVR | SOT-23       | DBV             | 5    | 3000 | 210.0       | 185.0      | 35.0        |
| TPS613226ADBVT | SOT-23       | DBV             | 5    | 250  | 210.0       | 185.0      | 35.0        |
| TPS61322DBZR   | SOT-23       | DBZ             | 3    | 3000 | 180.0       | 180.0      | 18.0        |
| TPS61322DBZT   | SOT-23       | DBZ             | 3    | 250  | 180.0       | 180.0      | 18.0        |

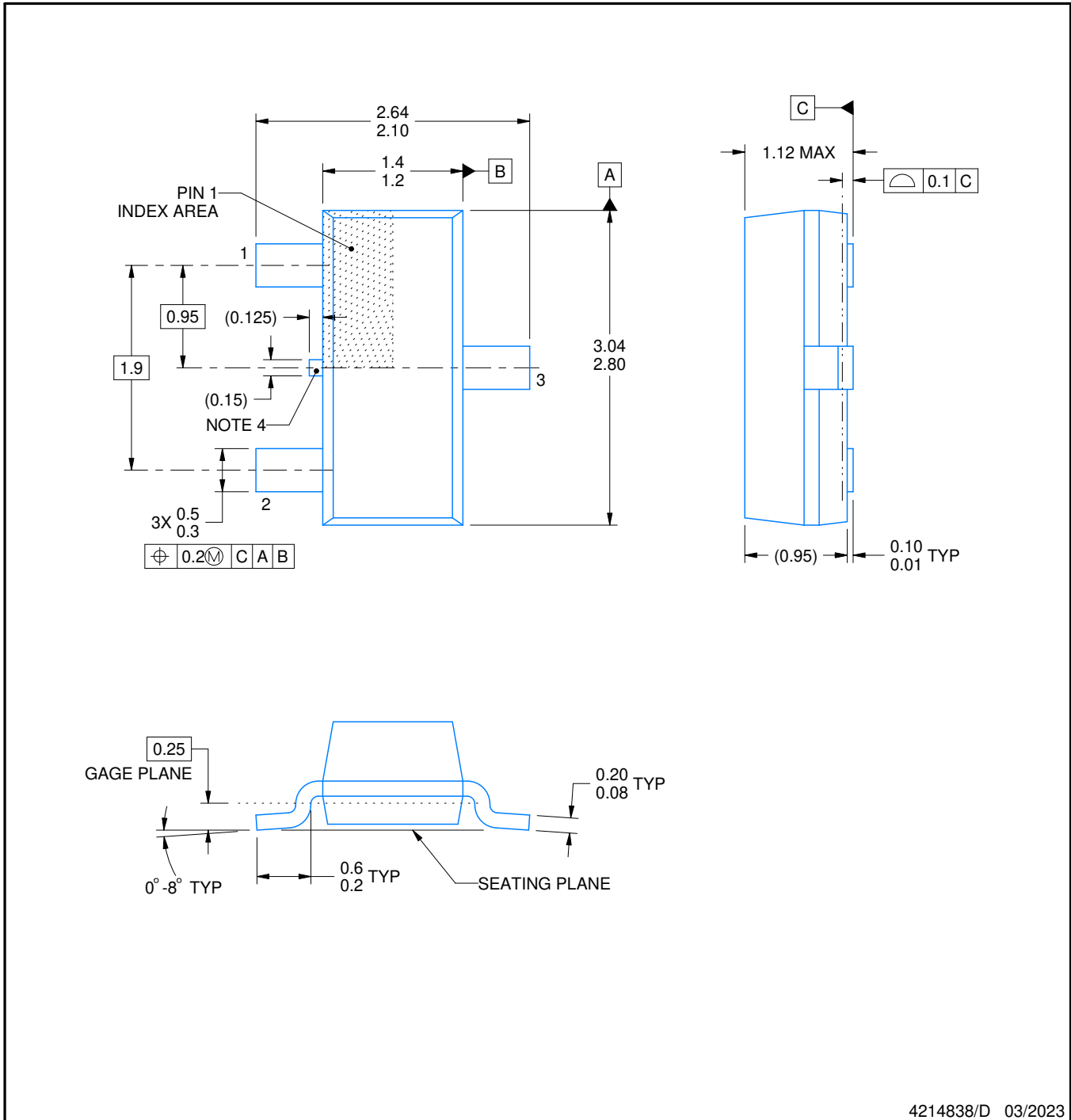
# DBZ0003A



# PACKAGE OUTLINE

## SOT-23 - 1.12 mm max height

SMALL OUTLINE TRANSISTOR



4214838/D 03/2023

### NOTES:

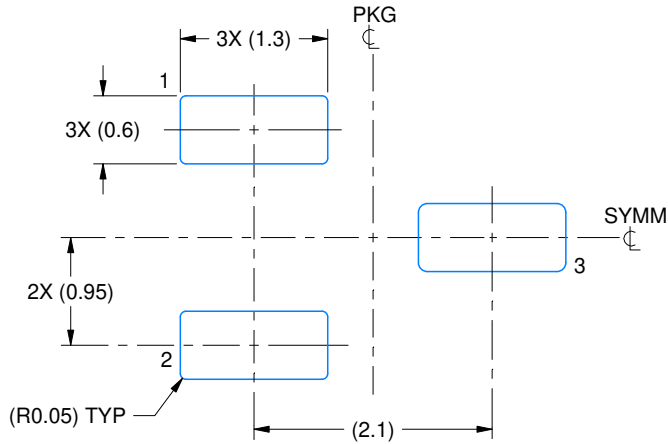
1. All linear dimensions are in millimeters. Any dimensions in parenthesis are for reference only. Dimensioning and tolerancing per ASME Y14.5M.
2. This drawing is subject to change without notice.
3. Reference JEDEC registration TO-236, except minimum foot length.
4. Support pin may differ or may not be present.

# EXAMPLE BOARD LAYOUT

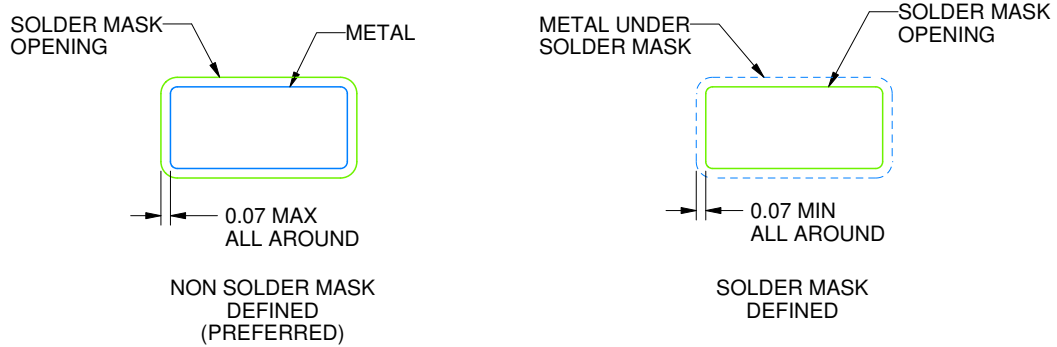
DBZ0003A

SOT-23 - 1.12 mm max height

SMALL OUTLINE TRANSISTOR



LAND PATTERN EXAMPLE  
SCALE:15X



SOLDER MASK DETAILS

4214838/D 03/2023

NOTES: (continued)

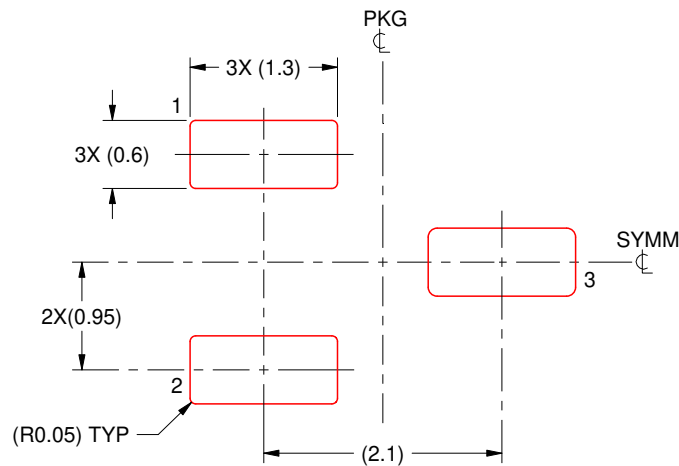
4. Publication IPC-7351 may have alternate designs.
5. Solder mask tolerances between and around signal pads can vary based on board fabrication site.

# EXAMPLE STENCIL DESIGN

DBZ0003A

SOT-23 - 1.12 mm max height

SMALL OUTLINE TRANSISTOR



SOLDER PASTE EXAMPLE  
BASED ON 0.125 THICK STENCIL  
SCALE:15X

4214838/D 03/2023

NOTES: (continued)

6. Laser cutting apertures with trapezoidal walls and rounded corners may offer better paste release. IPC-7525 may have alternate design recommendations.
7. Board assembly site may have different recommendations for stencil design.

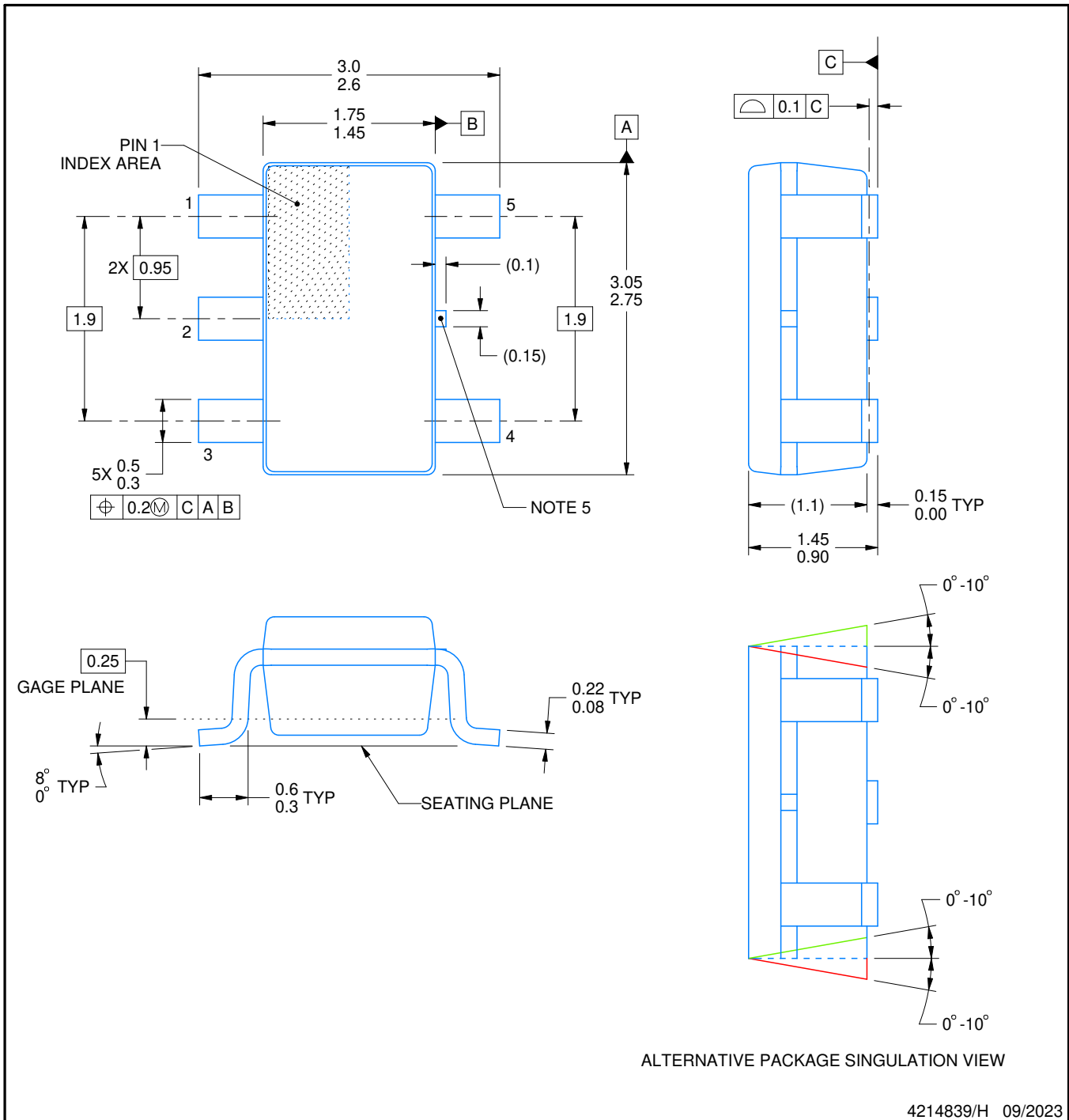
# DBV0005A



## PACKAGE OUTLINE

SOT-23 - 1.45 mm max height

SMALL OUTLINE TRANSISTOR



### NOTES:

1. All linear dimensions are in millimeters. Any dimensions in parenthesis are for reference only. Dimensioning and tolerancing per ASME Y14.5M.
2. This drawing is subject to change without notice.
3. Reference JEDEC MO-178.
4. Body dimensions do not include mold flash, protrusions, or gate burrs. Mold flash, protrusions, or gate burrs shall not exceed 0.25 mm per side.
5. Support pin may differ or may not be present.



# EXAMPLE BOARD LAYOUT

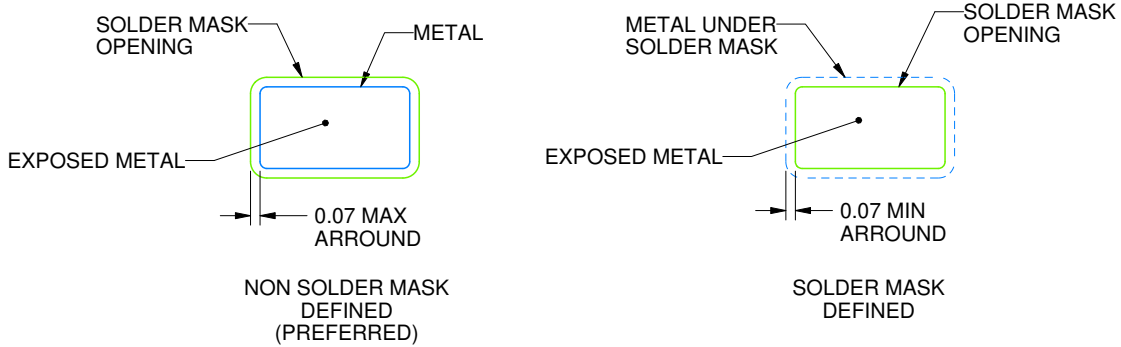
DBV0005A

SOT-23 - 1.45 mm max height

SMALL OUTLINE TRANSISTOR



LAND PATTERN EXAMPLE  
EXPOSED METAL SHOWN  
SCALE:15X



SOLDER MASK DETAILS

4214839/H 09/2023

NOTES: (continued)

- 6. Publication IPC-7351 may have alternate designs.
- 7. Solder mask tolerances between and around signal pads can vary based on board fabrication site.

# EXAMPLE STENCIL DESIGN

DBV0005A

SOT-23 - 1.45 mm max height

SMALL OUTLINE TRANSISTOR



SOLDER PASTE EXAMPLE  
BASED ON 0.125 mm THICK STENCIL  
SCALE:15X

4214839/H 09/2023

NOTES: (continued)

8. Laser cutting apertures with trapezoidal walls and rounded corners may offer better paste release. IPC-7525 may have alternate design recommendations.
9. Board assembly site may have different recommendations for stencil design.

## IMPORTANT NOTICE AND DISCLAIMER

TI PROVIDES TECHNICAL AND RELIABILITY DATA (INCLUDING DATA SHEETS), DESIGN RESOURCES (INCLUDING REFERENCE DESIGNS), APPLICATION OR OTHER DESIGN ADVICE, WEB TOOLS, SAFETY INFORMATION, AND OTHER RESOURCES "AS IS" AND WITH ALL FAULTS, AND DISCLAIMS ALL WARRANTIES, EXPRESS AND IMPLIED, INCLUDING WITHOUT LIMITATION ANY IMPLIED WARRANTIES OF MERCHANTABILITY, FITNESS FOR A PARTICULAR PURPOSE OR NON-INFRINGEMENT OF THIRD PARTY INTELLECTUAL PROPERTY RIGHTS.

These resources are intended for skilled developers designing with TI products. You are solely responsible for (1) selecting the appropriate TI products for your application, (2) designing, validating and testing your application, and (3) ensuring your application meets applicable standards, and any other safety, security, regulatory or other requirements.

These resources are subject to change without notice. TI grants you permission to use these resources only for development of an application that uses the TI products described in the resource. Other reproduction and display of these resources is prohibited. No license is granted to any other TI intellectual property right or to any third party intellectual property right. TI disclaims responsibility for, and you will fully indemnify TI and its representatives against, any claims, damages, costs, losses, and liabilities arising out of your use of these resources.

TI's products are provided subject to [TI's Terms of Sale](#) or other applicable terms available either on [ti.com](https://www.ti.com) or provided in conjunction with such TI products. TI's provision of these resources does not expand or otherwise alter TI's applicable warranties or warranty disclaimers for TI products.

TI objects to and rejects any additional or different terms you may have proposed.

Mailing Address: Texas Instruments, Post Office Box 655303, Dallas, Texas 75265  
Copyright © 2023, Texas Instruments Incorporated