

NOTES:

1. MATERIAL:

HOUSING: LIQUID CRYSTAL POLYMER (LCP), GLAS-FILLED, UL 94V-0,

COLOR: BLASK

TERMINALS: BRASS

2. FINISH:

TERMINAL: 0.76 MICROMETERS/30 MICROINCHES MINIMUM SELECTIVE GOLD

IN CONTACT AREA; 1.27 MICROMETERS/50 MICROINCHES MINIMUM

SELECTIVE TIN IN THE PC TAIL AREA; NICKEL UNDERPLATE OVERALL

3. ASSEMBLY MATES WITH MOLEX P/N SDA-71660-****

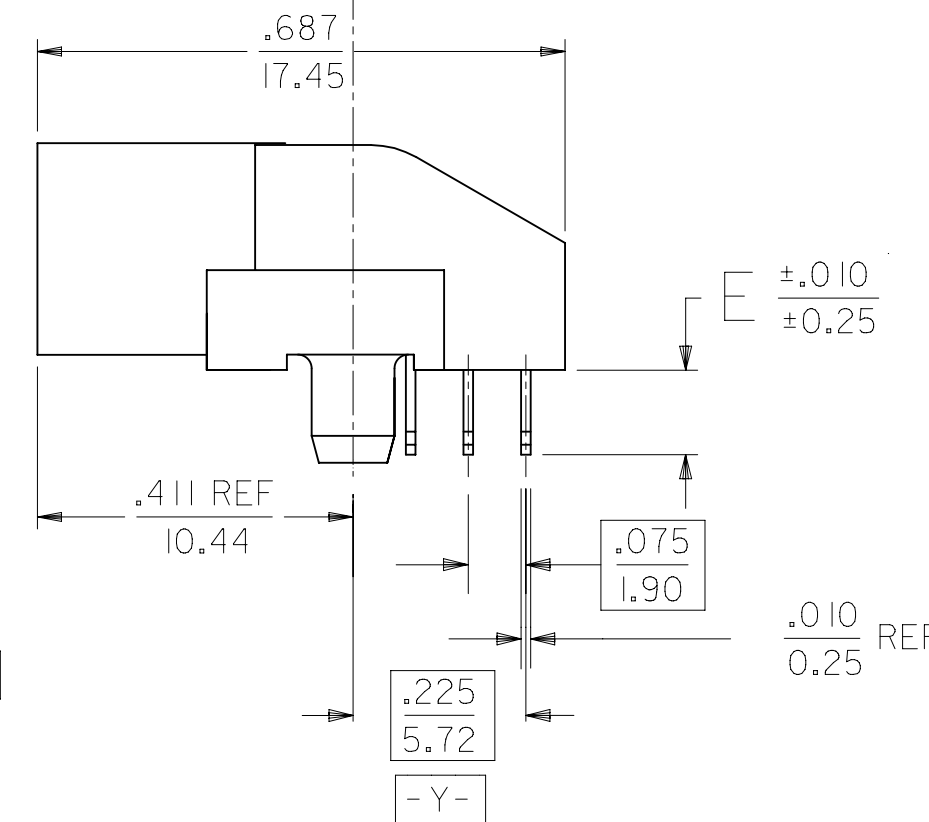
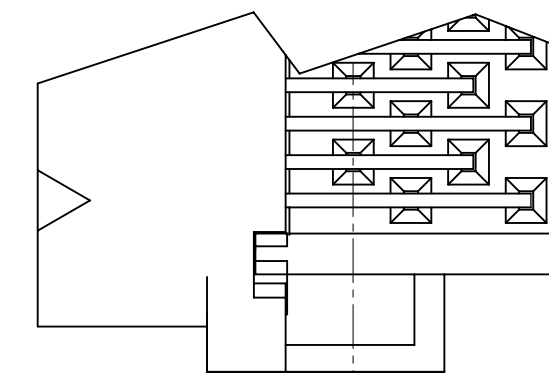
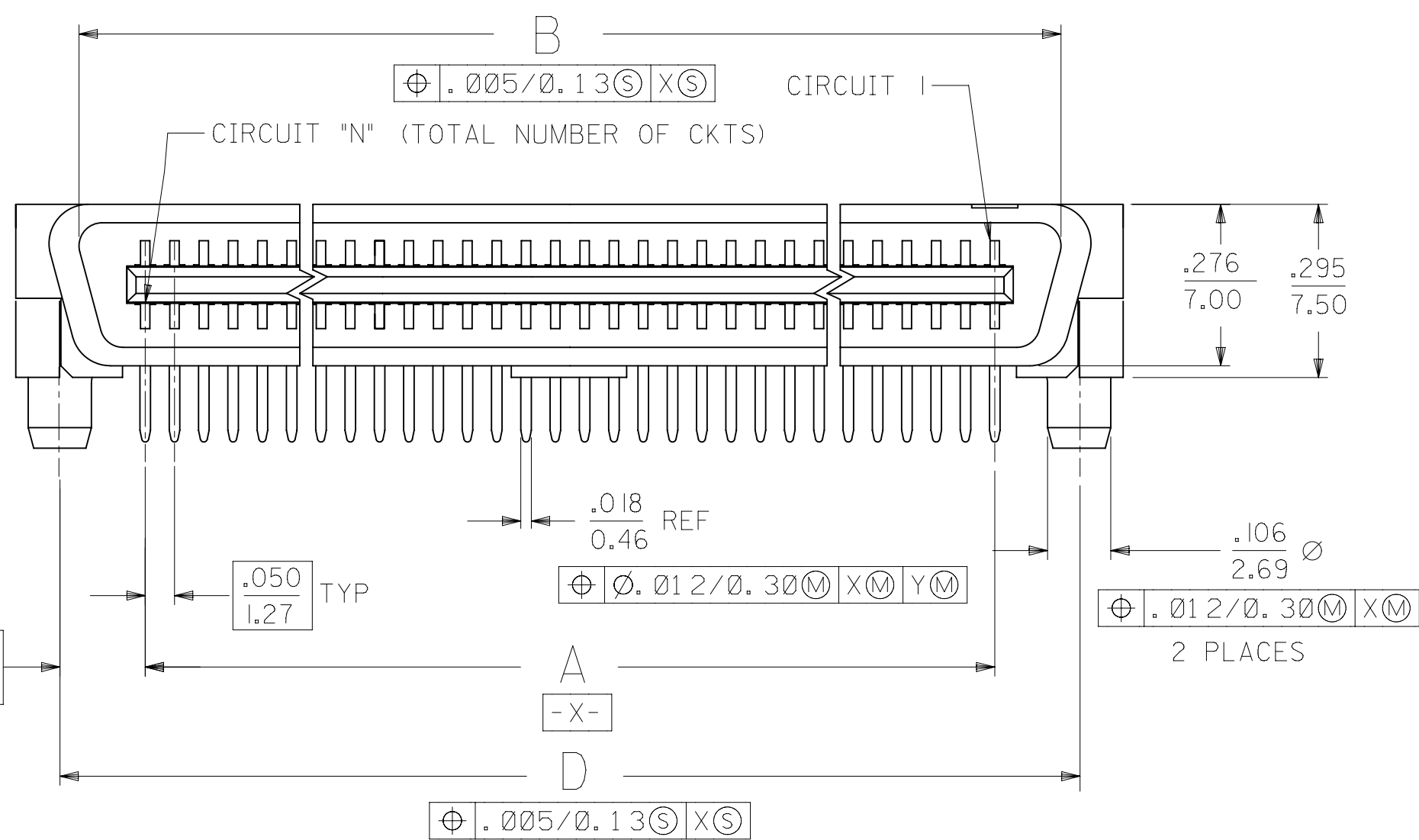
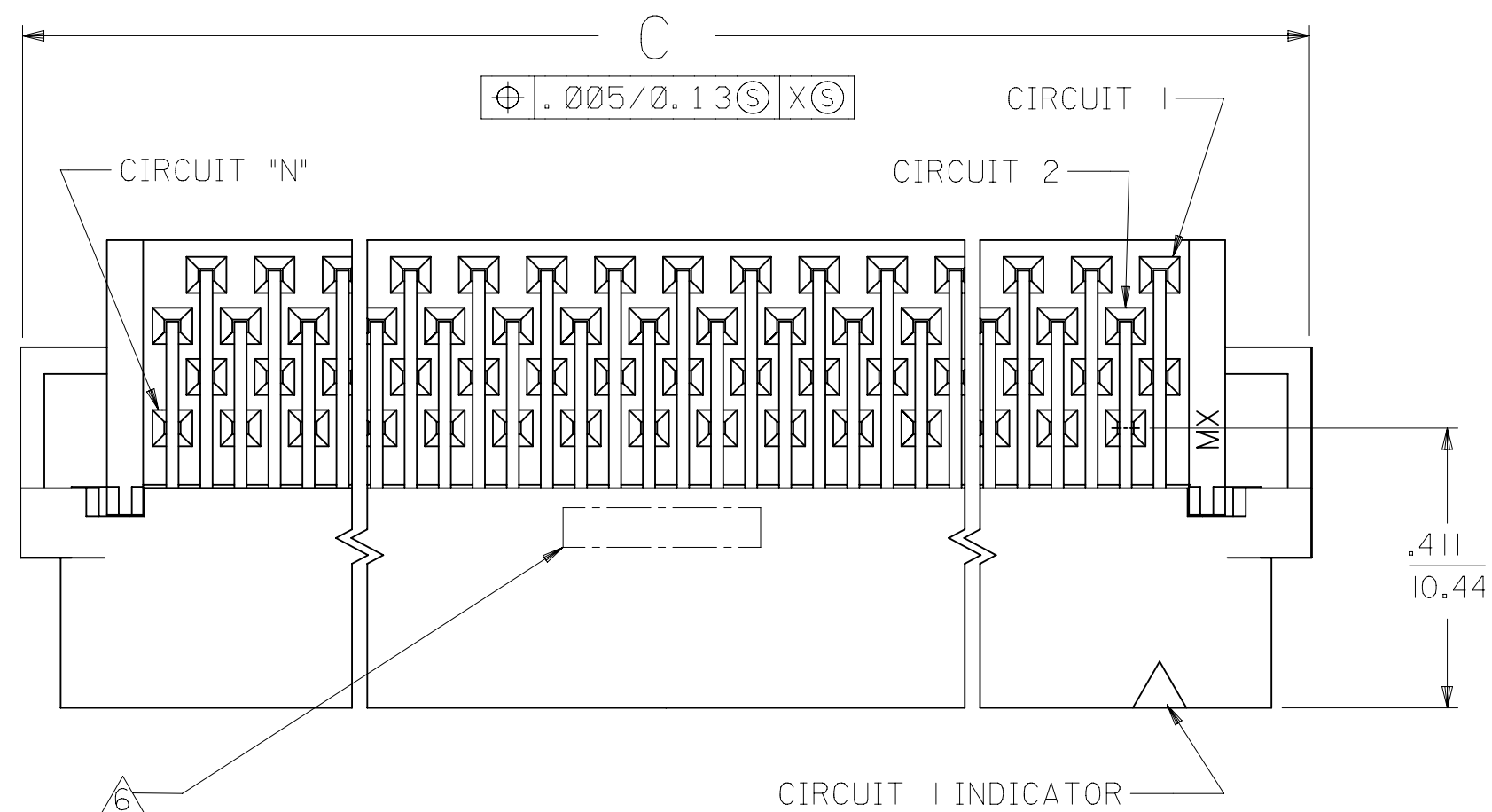
4. CONFORMS TO PRODUCT SPEC: PS-71660

5. RECOMMENDED PC BOARD THICKNESS IS .062/1.60

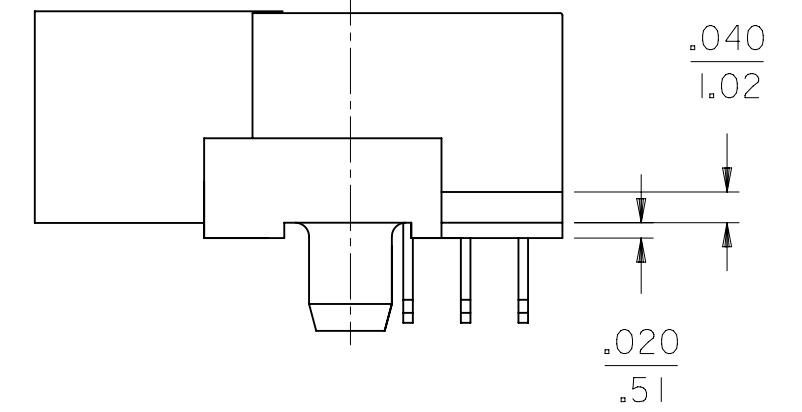
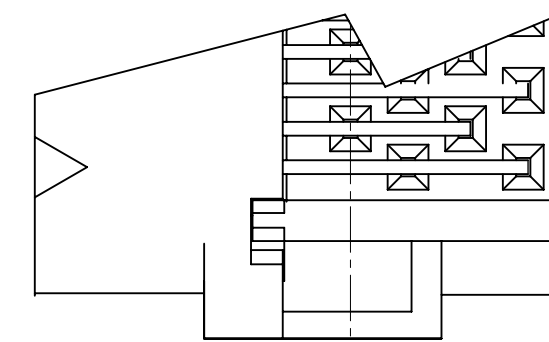
6. FOUR DIGIT DATE CODE (WK, YR) EXAMPLE 26 96 LOCATED IN AREA SHOWN

7. TOOLING STATUS: "X" INDICATES NO TOOLING AVAILABLE

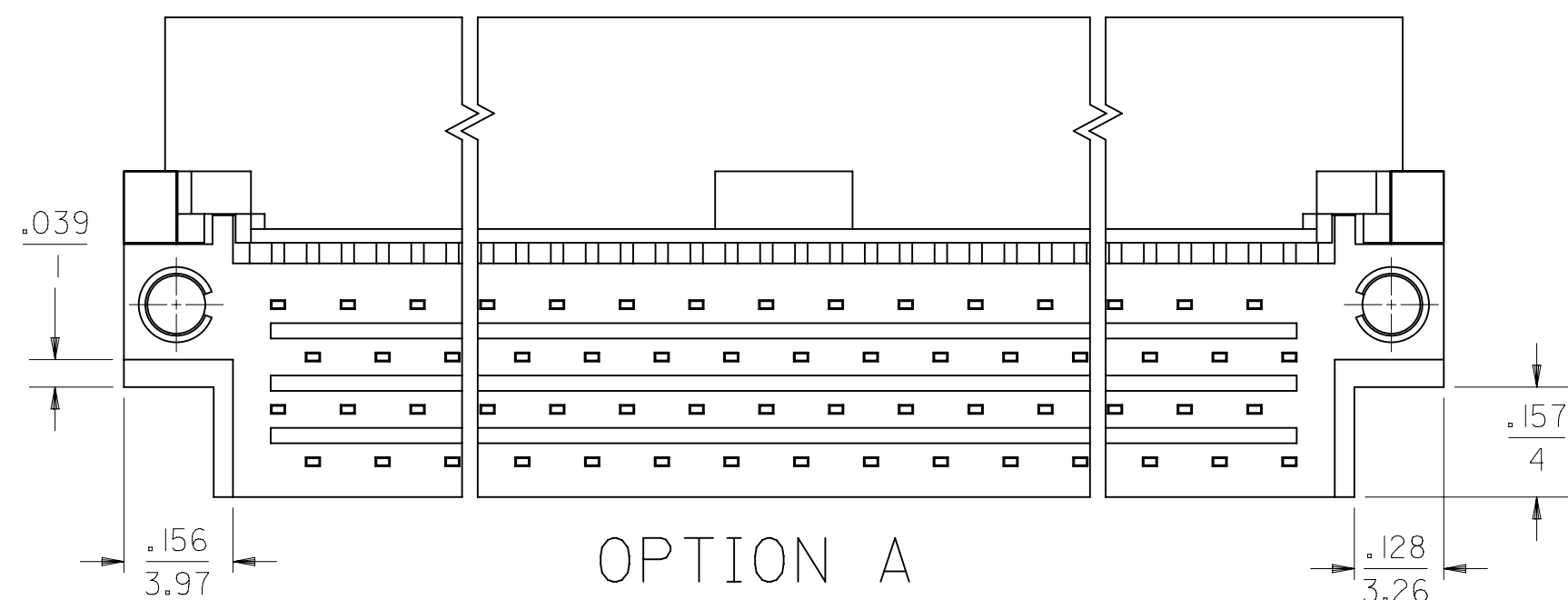
CONTACT FACTORY FOR FURTHER INFORMATION



END DETAIL
OPTION A
(BOTH ENDS)

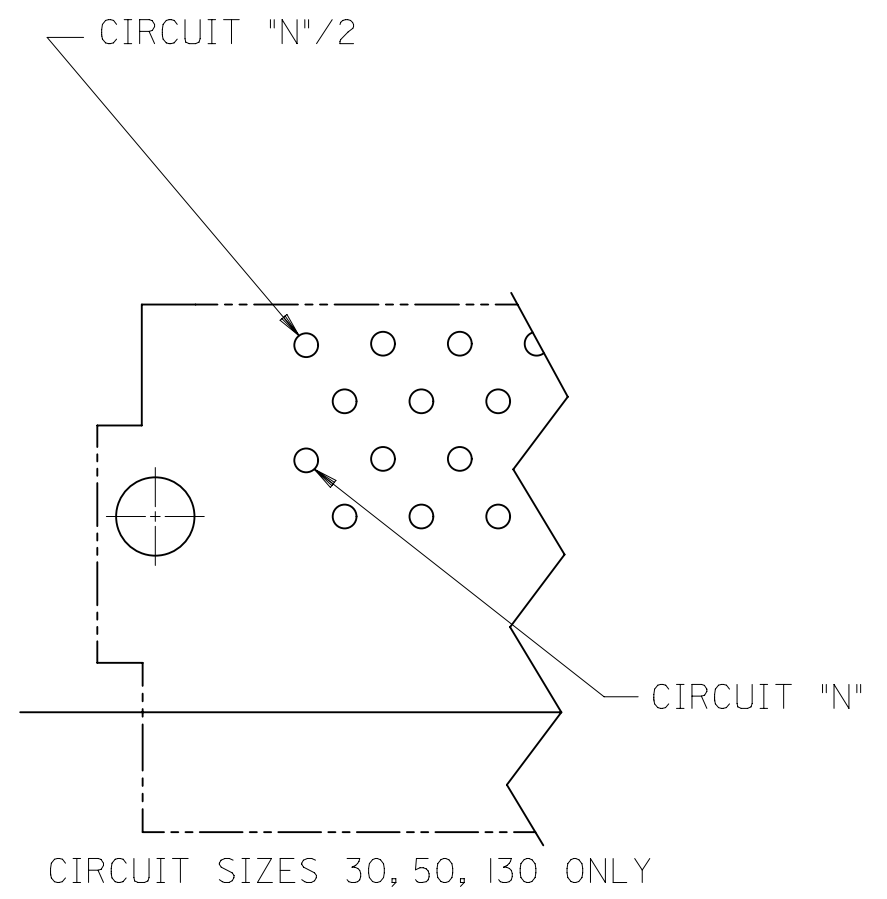
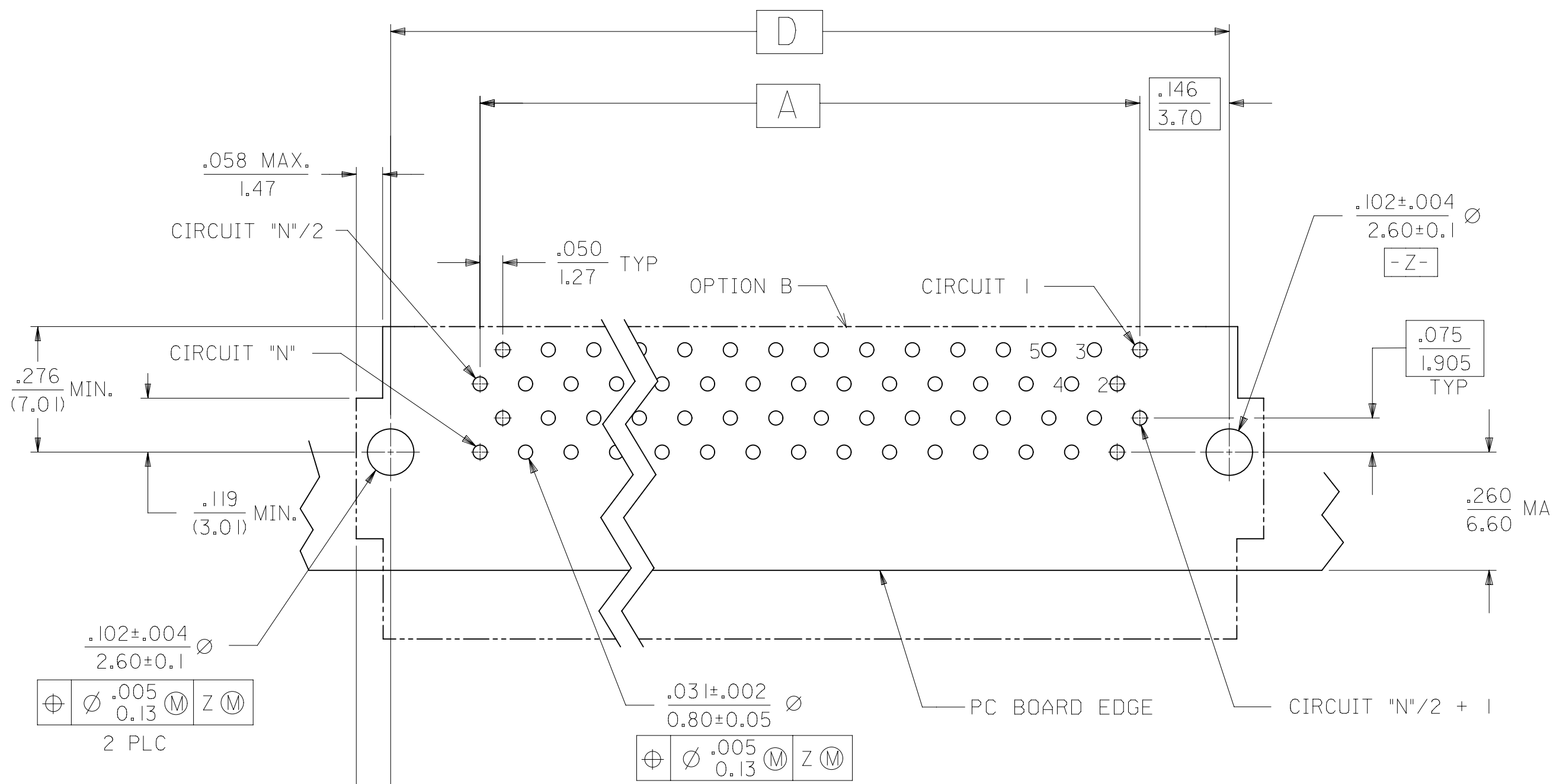


END DETAIL
OPTION B
(BOTH ENDS)

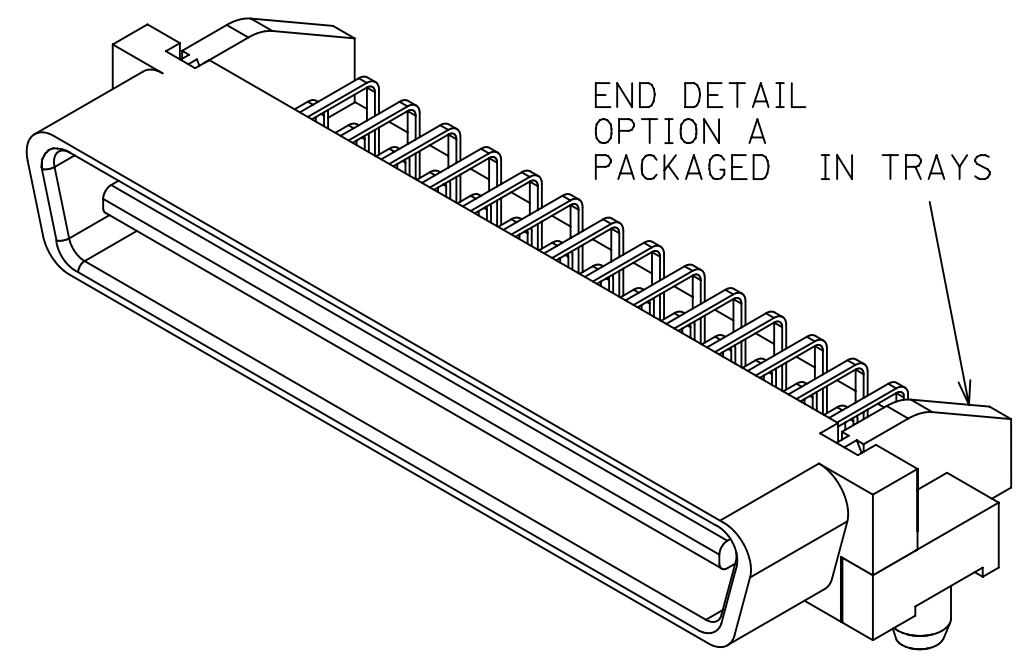


OPTION A

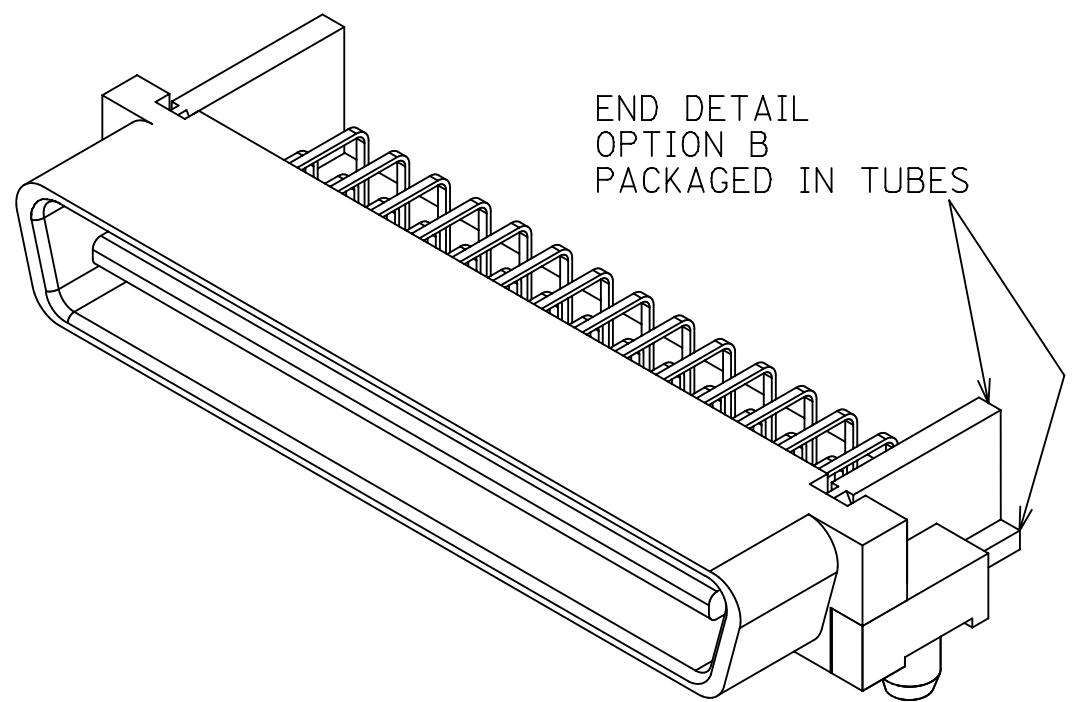
THIS DRAWING CONTAINS INFORMATION THAT IS PROPRIETARY TO MOLEX ELECTRONIC TECHNOLOGIES, LLC AND SHOULD NOT BE USED WITHOUT WRITTEN PERMISSION									
DIMENSION UNITS		SCALE		CURRENT REV DESC: REMOVED OBSOLETE PART NUMBER AS PER PCN#510808.					
INCH		4:1		<p>molex</p> <p>SALES ASSEMBLY EBBI 50D RIGHT ANGLE PLUG CONNECTOR</p> <p>PRODUCT CUSTOMER DRAWING</p> <p>DOCUMENT NUMBER: SDA-71661-2XXX DOC TYPE: PSD DOC PART: 001 REVISION: R1</p> <p>EC NO: 736640 DRWN: LIKITV 2023/01/31</p> <p>CHK'D: GGA 2023/02/16</p> <p>APPR: GGA 2023/02/16</p> <p>INITIAL REVISION:</p> <p>DRWN: DRAWN BY 0099/99/99</p> <p>APPR: APPR BY 0099/99/99</p>					
GENERAL TOLERANCES (UNLESS SPECIFIED)									
4 PLACES	±	MM	INCH						
3 PLACES	±	±	0.01						
2 PLACES	±	0.25	±						
1 PLACE	±	±	±						
0 PLACES	±	±	±						
ANGULAR TOL		± 0.5°		DRAWING		SERIES		MATERIAL NUMBER	
DRAFT WHERE APPLICABLE MUST REMAIN WITHIN DIMENSIONS		THIRD ANGLE PROJECTION		C-SIZE		71661		see table	
DOCUMENT STATUS		P1		RELEASE DATE		2023/02/16 05:36:40		CUSTOMER	
								GENERAL MARKET	
								SHEET NUMBER	
								1 OF 2	



RECOMMENDED PC BOARD LAYOUT **COMPONENT SIDE**



50 CIRCUIT ASSEMBLY SHOWN



END DETAIL
OPTION B
PACKAGED IN TUBES

TRAY PACK
PER SPEC.
PK-70873-084*

END DETAIL
OPTION "A"

.110 (2.79)	2.741 (69.63)	2.892 (73.45)	2.676 (67.97)	2.450 (62.23)	100	71661-2100
	1.241 (31.53)	1.392 (35.35)	1.176 (29.87)	.950 (24.13)	40	71661-2040
	.991 (25.18)	1.142 (29.00)	.925 (23.52)	.700 (17.78)	30	71661-2030
E	D	C	B	A	CKT ("N")	ITEM NUMBER

THIS DRAWING CONTAINS INFORMATION THAT IS PROPRIETARY TO MOLEX ELECTRONIC TECHNOLOGIES, LLC AND SHOULD NOT BE USED WITHOUT WRITTEN PERMISSION

DIMENSION UNITS INCH	SCALE 4:1	CURRENT REV DESC: REMOVED OBSOLETE PART NUMBER AS PER PCN#510808.	molex		
GENERAL TOLERANCES (UNLESS SPECIFIED)		EC NO: 736640			
4 PLACES ±	±	DRWN: LIKITV	2023/01/31		
3 PLACES ±	± 0.01	CHK'D: GGA	2023/02/16		
2 PLACES ±	0.25 ±	APPR: GGA	2023/02/16		
1 PLACE ±	±	INITIAL REVISION:	PRODUCT CUSTOMER DRAWING		
0 PLACES ±	±	DRWN: DRAWN BY	DOCUMENT NUMBER		DOC TYPE
ANGULAR TOL ± 0.5°		APPR: APPR BY	SDA-71661-2XXX		DOC PART
DRAFT WHERE APPLICABLE MUST REMAIN WITHIN DIMENSIONS	THIRD ANGLE PROJECTION	DRAWING	SERIES	MATERIAL NUMBER	CUSTOMER
		C-SIZE	71661	see table	GENERAL MARKET
					REVISION
					R1
					SHEET NUMBER
					2 OF 2