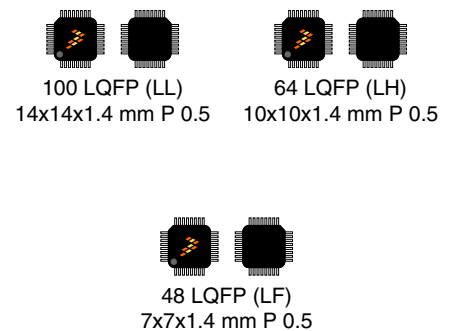


# Kinetis KE17Z/13Z/12Z with up to 256 KB Flash

Up to 72 MHz ARM® Cortex®-M0+ Based Microcontroller

KE1xZ256 MCUs are the leading parts for the KE1xZ family based on ARM® Cortex®-M0+ core. Providing up to 256 KB flash, up to 48 KB RAM, and the complete set of analog/digital features, KE1xZ extends Kinetis E family to higher performance and broader scalability. Robust and enhanced TSIs provide high-level stability and accuracy to customer's HMI system. 1 Msps ADC and FlexTimer help build a perfect solution for BLDC motor control systems.

MKE1xZ256VLL7  
MKE1xZ256VLH7  
MKE1xZ256VLF7  
MKE1xZ128VLL7  
MKE1xZ128VLH7  
MKE1xZ128VLF7



## Core Processor and System

- ARM® Cortex®-M0+ core, supports up to 72 MHz frequency
- ARM Core based on the ARMv6 Architecture and Thumb®-2 ISA
- Configurable Nested Vectored Interrupt Controller (NVIC)
- 8-channel DMA controller extended up to 63 channels with DMAMUX

## Memory and memory interfaces

- Up to 256 KB program flash
- Up to 48 KB SRAM
- 128 Bytes flash cache

## Power management

- Low-power ARM Cortex-M0+ core with excellent energy efficiency
- Power management controller (PMC) with multiple power modes: Run, Wait, Stop, VLPR, VLPW and VLPS
- Supports clock gating for unused modules, and specific peripherals remain working in low power modes
- POR, LVD/LVR

## Debug functionality

- Serial Wire Debug (SWD) debug interface

## Mixed-signal analog

- 1× 12-bit analog-to-digital converter (ADC) with up to 16 channel analog inputs per module, up to 1 Msps
- 1× high-speed analog comparators (CMP) with internal 8-bit digital to analog converter (DAC)

## Timing and control

- 3× Flex Timers (FTM) for PWM generation, offering up to 8 standard channels
- 1× 16-bit Low-Power Timer (LPTMR) with flexible wake up control
- 1× 32-bit Low-power Periodic Interrupt Timer (LPIT) with 4 channels

## Reliability, safety and security

- Cyclic Redundancy Check (CRC) generator module
- 128-bit unique identification (ID) number
- Internal watchdog (WDOG) with independent clock source
- External watchdog monitor (EWM) module
- ADC self calibration feature
- On-chip clock loss monitoring

## Human-machine interface (HMI)

- Supports up to 32 interrupt request (IRQ) sources

- Debug Watchpoint and Trace (DWT)
- Micro Trace Buffer (MTB)

- Up to 89 GPIO pins with interrupt functionality
- 2 x 25ch Touch sensing input (TSI) module, each TSI has 12 mutual channels (up to 6 x 6ch matrix) and 3 shield channels

#### Clock interfaces

- OSC: high range 4 - 40 MHz (with low power or high-gain mode) and low range 32 - 40 kHz (with high-gain mode only)
- 48 MHz high-accuracy (up to ±1%) fast internal reference clock (FIRC) for normal Run
- 8 MHz / 2 MHz high-accuracy (up to ±3%) slow internal reference clock (SIRC) for low-speed Run
- 128 kHz low power oscillator (LPO)
- Low-power FLL (LPFLL)
- Up to 60 MHz DC external square wave input clock
- System clock generator (SCG)

#### Connectivity and communications interfaces

- 3x low-power universal asynchronous receiver/transmitter (LPUART) modules with DMA support and low power availability
- 1x low-power serial peripheral interface (LPSPI) modules with DMA support and low power availability
- 1x low-power inter-integrated circuit (LPI2C) modules with DMA support and low power availability
- FlexIO module for flexible and high performance serial interfaces

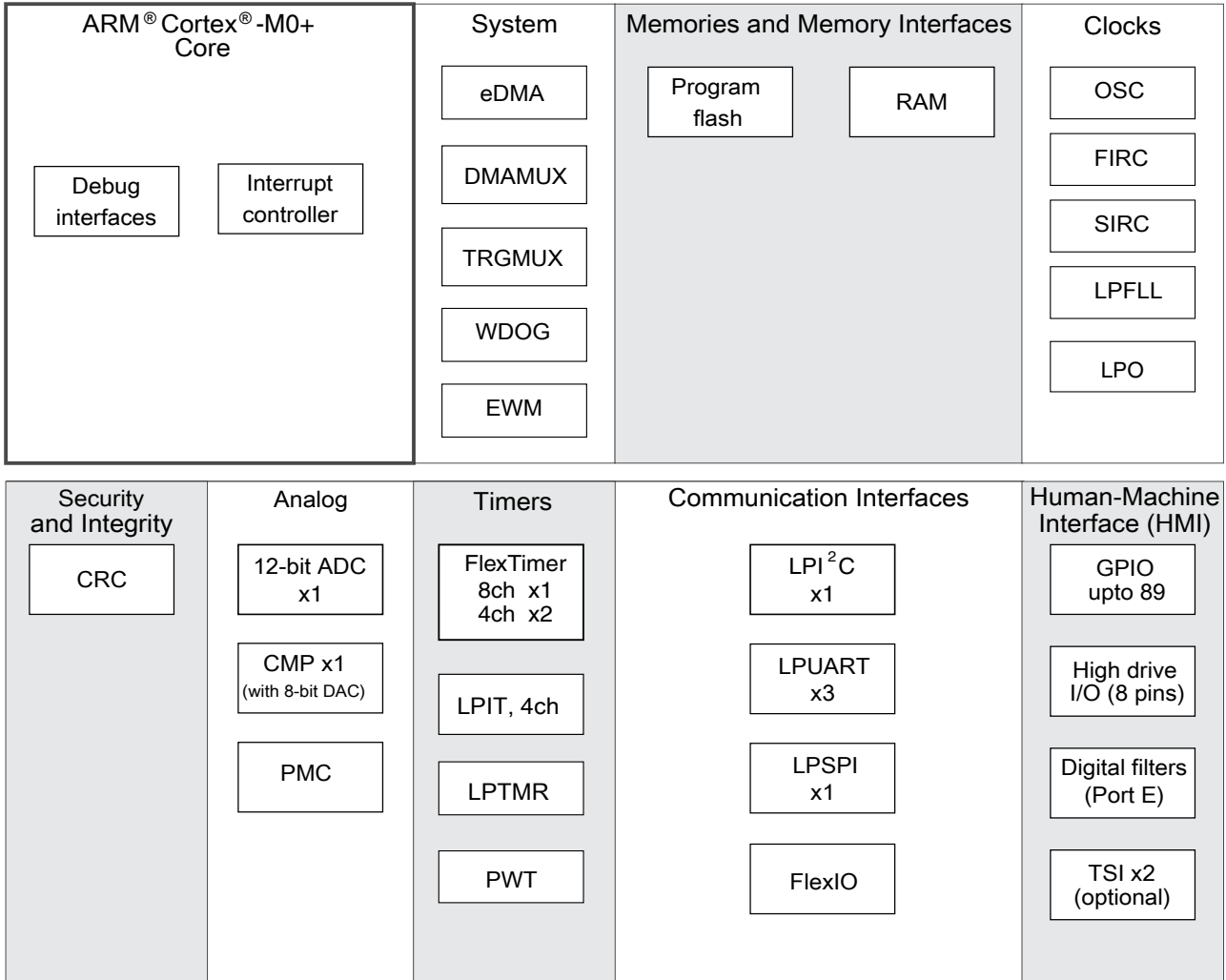
#### Operating Characteristics

- Voltage range: 2.7 to 5.5 V
- Ambient temperature range: -40 to 105 °C

#### Related Resources

Type	Description	Resource
Fact Sheet	The Fact Sheet gives overview of the product key features and its uses.	KE1xZ Family Fact Sheet KE1xZMUFAMFS <sup>1</sup>
Reference Manual	The Reference Manual contains a comprehensive description of the structure and function (operation) of a device.	KE1xZP100M72SF1RM <sup>1</sup>
Data Sheet	The Data Sheet includes electrical characteristics and signal connections.	This document: KE1xZP100M72SF1
Chip Errata	The chip mask set Errata provides additional or corrective information for a particular device mask set.	Kinetis_E_P35D <sup>1</sup>
Package drawing	Package dimensions are provided in package drawings.	100-LQFP: <a href="#">98ASS23308W</a> 64-LQFP: <a href="#">98ASS23234W</a> 48-LQFP: <a href="#">98ASH00962A</a>

1. To find the associated resource, go to <http://www.nxp.com> and perform a search using this term.



**Figure 1. Functional block diagram**

# Table of Contents

1	Ordering information.....	5	5.1.3	Typical-value conditions.....	39
2	Overview.....	5	5.1.4	Relationship between ratings and operating requirements.....	39
2.1	System features.....	6	5.1.5	Guidelines for ratings and operating requirements.....	39
2.1.1	ARM Cortex-M0+ core.....	6	5.2	Ratings.....	40
2.1.2	NVIC.....	7	5.2.1	Thermal handling ratings.....	40
2.1.3	AWIC.....	7	5.2.2	Moisture handling ratings.....	40
2.1.4	Memory.....	8	5.2.3	ESD handling ratings.....	40
2.1.5	Reset and boot.....	8	5.2.4	Voltage and current operating ratings.....	40
2.1.6	Clock options.....	9	5.3	General.....	41
2.1.7	Security.....	10	5.3.1	Nonswitching electrical specifications.....	41
2.1.8	Power management.....	10	5.3.2	Switching specifications.....	51
2.1.9	Debug controller.....	12	5.3.3	Thermal specifications.....	54
2.2	Peripheral features.....	12	5.4	Peripheral operating requirements and behaviors.....	57
2.2.1	eDMA and DMAMUX.....	12	5.4.1	System modules.....	57
2.2.2	FTM.....	13	5.4.2	Clock interface modules.....	57
2.2.3	ADC.....	13	5.4.3	Memories and memory interfaces.....	62
2.2.4	CMP.....	14	5.4.4	Security and integrity modules.....	63
2.2.5	LPIT.....	15	5.4.5	Analog.....	64
2.2.6	LPTMR.....	15	5.4.6	Communication interfaces.....	70
2.2.7	CRC.....	15	5.4.7	Human-machine interfaces (HMI).....	74
2.2.8	LPUART.....	16	5.4.8	Debug modules.....	74
2.2.9	LPSPi.....	16	6	Design considerations.....	75
2.2.10	LPI2C.....	17	6.1	Hardware design considerations.....	76
2.2.11	FlexIO.....	18	6.1.1	Printed circuit board recommendations.....	76
2.2.12	Port control and GPIO.....	18	6.1.2	Power delivery system.....	76
3	Memory map.....	20	6.1.3	Analog design.....	76
4	Pinouts.....	20	6.1.4	Digital design.....	77
4.1	KE1xZ Signal Multiplexing and Pin Assignments.....	20	6.1.5	Crystal oscillator.....	80
4.2	Port control and interrupt summary.....	23	7	Part identification.....	81
4.3	Module Signal Description Tables.....	24	7.1	Description.....	81
4.4	Pinout diagram.....	28	7.2	Format.....	81
4.5	Package dimensions.....	31	7.3	Fields.....	81
5	Electrical characteristics.....	37	7.4	Example.....	82
5.1	Terminology and guidelines.....	37	8	Revision history.....	82
5.1.1	Definitions.....	37			
5.1.2	Examples.....	38			

# 1 Ordering information

The following chips are available for ordering.

**Table 1. Ordering information**

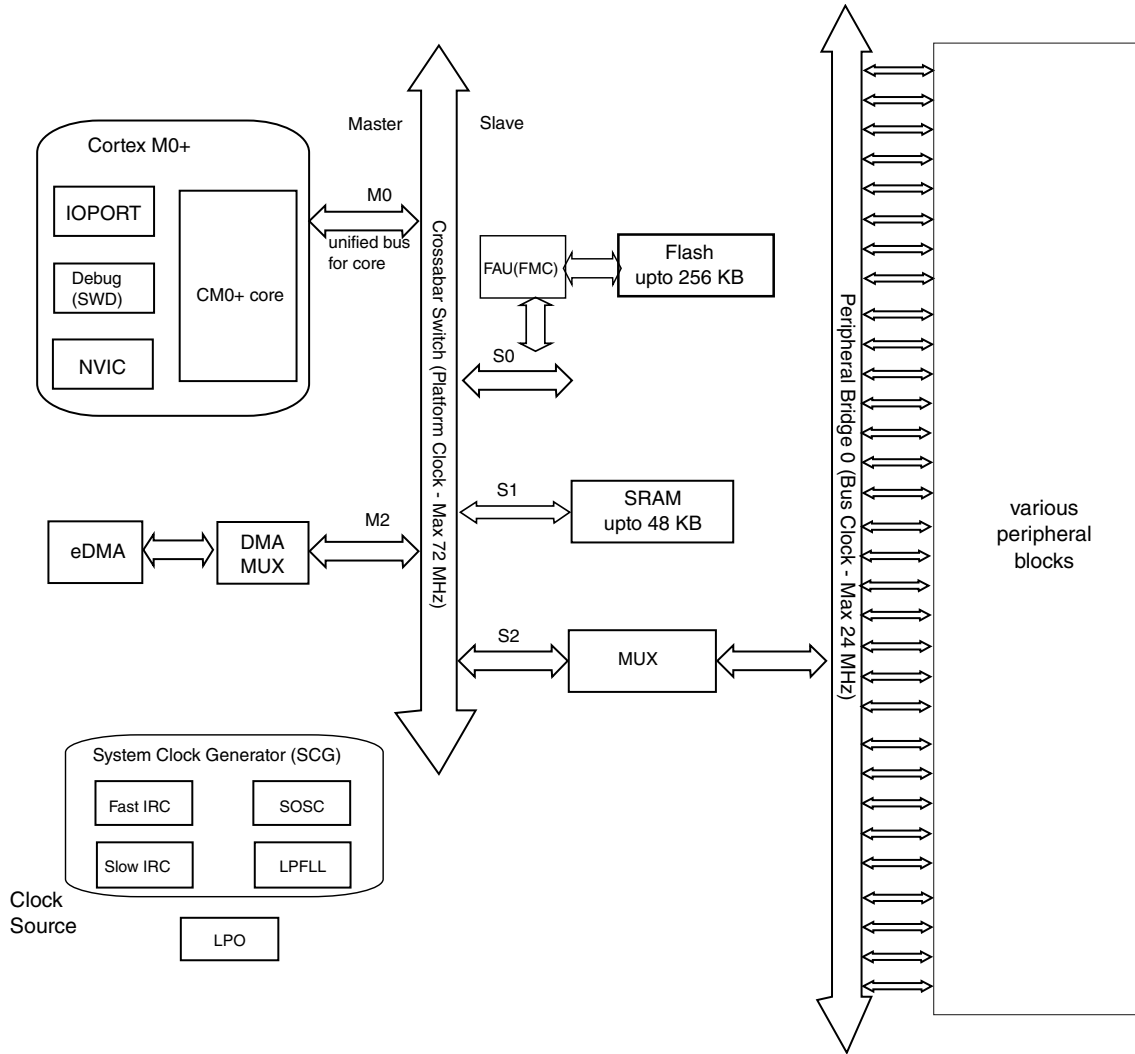
Product	Memory		Package		IO and ADC channel			HMI
Part number	Flash (KB)	SRAM (KB)	Pin count	Package	GPIOs	GPIOs (INT/HD) <sup>1</sup>	ADC channels	TSI
MKE17Z256VLL7	256	48	100	LQFP	89	89/8	16	50ch
MKE17Z256VLH7	256	48	64	LQFP	58	58/8	16	47ch
MKE17Z256VLF7	256	48	48	LQFP	42	42/6	11	31ch
MKE17Z128VLL7	128	32	100	LQFP	89	89/8	16	50ch
MKE17Z128VLH7	128	32	64	LQFP	58	58/8	16	47ch
MKE17Z128VLF7	128	32	48	LQFP	42	42/6	11	31ch
MKE13Z256VLL7	256	48	100	LQFP	89	89/8	16	25ch
MKE13Z256VLH7	256	48	64	LQFP	58	58/8	16	22ch
MKE13Z256VLF7	256	48	48	LQFP	42	42/6	11	15ch
MKE13Z128VLL7	128	32	100	LQFP	89	89/8	16	25ch
MKE13Z128VLH7	128	32	64	LQFP	58	58/8	16	22ch
MKE13Z128VLF7	128	32	48	LQFP	42	42/6	11	15ch
MKE12Z256VLL7	256	48	100	LQFP	89	89/8	16	–
MKE12Z256VLH7	256	48	64	LQFP	58	58/8	16	–
MKE12Z256VLF7	256	48	48	LQFP	42	42/6	11	–
MKE12Z128VLL7	128	32	100	LQFP	89	89/8	16	–
MKE12Z128VLH7	128	32	64	LQFP	58	58/8	16	–
MKE12Z128VLF7	128	32	48	LQFP	42	42/6	11	–

1. INT: interrupt pin numbers; HD: high drive pin numbers

## 2 Overview

The following figure shows the system diagram of this device.

## Overview



**Figure 2. System diagram**

The crossbar switch connects bus masters and slaves using a crossbar switch structure. This structure allows up to four bus masters to access different bus slaves simultaneously, while providing arbitration among the bus masters when they access the same slave.

## 2.1 System features

The following sections describe the high-level system features.

### 2.1.1 ARM Cortex-M0+ core

The enhanced ARM Cortex M0+ is the member of the Cortex-M Series of processors targeting microcontroller cores focused on very cost sensitive, low power applications. It has a single 32-bit AMBA AHB-Lite interface and includes an NVIC component. It also has hardware debug functionality including support for simple program trace capability. The processor supports the ARMv6-M instruction set (Thumb) architecture including all but three 16-bit Thumb opcodes (52 total) plus seven 32-bit instructions. It is upward compatible with other Cortex-M profile processors.

### 2.1.2 NVIC

The Nested Vectored Interrupt Controller supports nested interrupts and 4 priority levels for interrupts. In the NVIC, each source in the IPR registers contains 2 bits. It also differs in number of interrupt sources and supports 32 interrupt vectors.

The Cortex-M family uses a number of methods to improve interrupt latency to up to 15 clock cycles for Cortex-M0+. It also can be used to wake the MCU core from Wait and VLPW modes.

### 2.1.3 AWIC

The asynchronous wake-up interrupt controller (AWIC) is used to detect asynchronous wake-up events in Stop mode and signal to clock control logic to resume system clocking. After clock restarts, the NVIC observes the pending interrupt and performs the normal interrupt or event processing. The AWIC can be used to wake MCU core from Partial Stop, Stop and VLPS modes.

Wake-up sources for this SoC are listed as below:

**Table 2. AWIC Stop and VLPS Wake-up Sources**

Wake-up source	Description
Available system resets	RESET pin, WDOG , loss of clock(LOC) reset and loss of lock (LOL) reset
Pin interrupts	Port Control Module - Any enabled pin interrupt is capable of waking the system
ADCx	ADCx is optional functional with clock source from SIRC or OSC
CMPx	Functional in Stop/VLPS modes with clock source from SIRC or OSC
LPI2C	Functional in Stop/VLPS modes with clock source from SIRC or OSC
LPUART	Functional in Stop/VLPS modes with clock source from SIRC or OSC

*Table continues on the next page...*

**Table 2. AWIC Stop and VLPS Wake-up Sources (continued)**

Wake-up source	Description
LPSPi	Functional in Stop/VLPS modes with clock source from SIRC or OSC
LPIT	Functional in Stop/VLPS modes with clock source from SIRC or OSC
FlexIO	Functional in Stop/VLPS modes with clock source from SIRC or OSC
LPTMR	Functional in Stop/VLPS modes
SCG	Functional in Stop mode (Only SIRC)
TSI	Touch sense wakeup
NMI	Non-maskable interrupt

### 2.1.4 Memory

This device has the following features:

- Upto 256 KB of embedded program flash memory.
- Upto 48 KB of embedded RAM accessible (read/write) at CPU clock speed with 0 wait states.

### 2.1.5 Reset and boot

The following table lists all the reset sources supported by this device.

#### NOTE

In the following table, Y means the specific module, except for the registers, bits or conditions mentioned in the footnote, is reset by the corresponding Reset source. N means the specific module is not reset by the corresponding Reset source.

**Table 3. Reset source**

Reset sources	Descriptions	Modules									
		PMC	SIM	SMC	RCM	Reset pin is negated	WDOG	SCG		LPTMR	Others
POR reset	Power-on reset (POR)	Y	Y	Y	Y	Y	Y	Y		Y	Y
System resets	Low-voltage detect (LVD)	Y <sup>1</sup>	Y	Y	Y	Y	Y	Y		Y	Y
	External pin reset (RESET)	Y <sup>1</sup>	Y <sup>2</sup>	Y <sup>3</sup>	Y <sup>4</sup>	Y	Y <sup>5</sup>	Y <sup>6</sup>		N	Y
	Watchdog (WDOG) reset	Y <sup>1</sup>	Y <sup>2</sup>	Y <sup>3</sup>	Y <sup>4</sup>	Y	Y <sup>5</sup>	Y <sup>6</sup>		N	Y

*Table continues on the next page...*



**Table 3. Reset source (continued)**

Reset sources	Descriptions	Modules									
		PMC	SIM	SMC	RCM	Reset pin is negated	WDOG	SCG		LPTMR	Others
	Multipurpose clock generator loss of clock (LOC) reset	Y <sup>1</sup>	Y <sup>2</sup>	Y <sup>3</sup>	Y <sup>4</sup>	Y	Y <sup>5</sup>	Y <sup>6</sup>		N	Y
	Multipurpose clock generator loss of lock (LOL) reset	Y <sup>1</sup>	Y <sup>2</sup>	Y <sup>3</sup>	Y <sup>4</sup>	Y	Y <sup>5</sup>	Y <sup>6</sup>		N	Y
	Stop mode acknowledge error (SACKERR)	Y <sup>1</sup>	Y <sup>2</sup>	Y <sup>3</sup>	Y <sup>4</sup>	Y	Y <sup>5</sup>	Y <sup>6</sup>		N	Y
	Software reset (SW)	Y <sup>1</sup>	Y <sup>2</sup>	Y <sup>3</sup>	Y <sup>4</sup>	Y	Y <sup>5</sup>	Y <sup>6</sup>		N	Y
	Lockup reset (LOCKUP)	Y <sup>1</sup>	Y <sup>2</sup>	Y <sup>3</sup>	Y <sup>4</sup>	Y	Y <sup>5</sup>	Y <sup>6</sup>		N	Y
	MDM DAP system reset	Y <sup>1</sup>	Y <sup>2</sup>	Y <sup>3</sup>	Y <sup>4</sup>	Y	Y <sup>5</sup>	Y <sup>6</sup>		N	Y
Debug reset	Debug reset	Y <sup>1</sup>	Y <sup>2</sup>	Y <sup>3</sup>	Y <sup>4</sup>	Y	Y <sup>5</sup>	Y <sup>6</sup>		N	Y

1. Except PMC\_LVDSC1[LVDV] and PMC\_LVDSC2[LVVV]
2. Except SIM\_SOPT1
3. Except SMC\_PMPROT, SMC\_PMCTRL\_RUM, SMC\_PMCTRL\_STOPM, SMC\_STOPCTRL, SMC\_PMSTAT
4. Except RCM\_RPC, RCM\_MR, RCM\_FM, RCM\_SRIE, RCM\_SRS, RCM\_SSRS
5. Except WDOG\_CS[TST]
6. Except SCG\_CSR and SCG\_FIRCSTAT

This device supports booting from:

- internal flash

## 2.1.6 Clock options

The SCG module controls which clock source is used to derive the system clocks. The clock generation logic divides the selected clock source into a variety of clock domains, including the clocks for the system bus masters, system bus slaves, and flash memory. The clock generation logic also implements module-specific clock gating to allow granular shutoff of modules.

The following figure is a high level block diagram of the clock generation. For more details on the clock operation and configuration, see the Clocking chapter in the Reference Manual.



WFE instruction invokes a Wait or a Stop mode, depending on the current configuration. For more information on ARM's operational modes, See the ARM<sup>®</sup> Cortex<sup>®</sup> User Guide.

The PMC provides Normal Run (RUN), and Very Low Power Run (VLPR) configurations in ARM's Run operation mode. In these modes, the MCU core is active and can access all peripherals. The difference between the modes is the maximum clock frequency of the system and therefore the power consumption. The configuration that matches the power versus performance requirements of the application can be selected.

The PMC provides Wait (Wait) and Very Low Power Wait (VLPW) configurations in ARM's Sleep operation mode. In these modes, even though the MCU core is inactive, all of the peripherals can be enabled and operate as programmed. The difference between the modes is the maximum clock frequency of the system and therefore the power consumption.

The PMC provides Stop (Stop), Very Low Power Stop (VLPS) configurations in ARM's Deep Sleep operational mode. In these modes, the MCU core and most of the peripherals are disabled. Depending on the requirements of the application, different portions of the analog, logic, and memory can be retained or disabled to conserve power.

The Nested Vectored Interrupt Controller (NVIC), the Asynchronous Wake-up Interrupt Controller (AWIC) are used to wake up the MCU from low power states. The NVIC is used to wake up the MCU core from WAIT and VLPW modes. The AWIC is used to wake up the MCU core from STOP and VLPS modes.

For additional information regarding operational modes, power management, the NVIC, AWIC, please refer to the Reference Manual.

The following table provides information about the state of the peripherals in the various operational modes and the modules that can wake MCU from low power modes.

**Table 5. Peripherals states in different operational modes**

Core mode	Device mode	Descriptions
Run mode	Run	In Run mode, all device modules are operational.
	Very Low Power Run	In VLPR mode, all device modules are operational at a reduced frequency except the Low Voltage Detect (LVD) monitor, which is disabled.
Sleep mode	Wait	In Wait mode, all peripheral modules are operational. The MCU core is placed into Sleep mode.

*Table continues on the next page...*

**Table 5. Peripherals states in different operational modes (continued)**

Core mode	Device mode	Descriptions
	Very Low Power Wait	In VLPW mode, all peripheral modules are operational at a reduced frequency except the Low Voltage Detect (LVD) monitor, which is disabled. The MCU core is placed into Sleep mode.
Deep sleep	Stop	In Stop mode, most peripheral clocks are disabled and placed in a static state. Stop mode retains all registers and SRAMs while maintaining Low Voltage Detection protection. In Stop mode, the ADC, CMP, LPTMR, and pin interrupts are operational. The NVIC is disabled, but the AWIC can be used to wake up from an interrupt.
	Very Low Power Stop	In VLPS mode, the contents of the SRAM are retained. The CMP (low speed), ADC, OSC, LPTMR, LPIT, FlexIO, LPUART, LPI2C, LPSP1, and DMA are operational, LVD and NVIC are disabled, AWIC is used to wake up from interrupt.

## 2.1.9 Debug controller

This device has extensive debug capabilities including run control and tracing capabilities. The standard ARM debug port supports SWD interface.

## 2.2 Peripheral features

The following sections describe the features of each peripherals of the chip.

### 2.2.1 eDMA and DMAMUX

The eDMA is a highly programmable data-transfer engine optimized to minimize any required intervention from the host processor. It is intended for use in applications where the data size to be transferred is statically known and not defined within the transferred data itself. The DMA controller in this device implements 8 channels which can be routed from up to 63 DMA request sources through DMA MUX module.

Main features of eDMA are listed below:

- All data movement via dual-address transfers: read from source, write to destination
- 8-channel implementation that performs complex data transfers with minimal intervention from a host processor
- Transfer control descriptor (TCD) organized to support two-deep, nested transfer operations

- Channel activation via one of three methods
- Fixed-priority and round-robin channel arbitration
- Channel completion reported via programmable interrupt requests
- Programmable support for scatter/gather DMA processing
- Support for complex data structures

## 2.2.2 FTM

This device contains three FlexTimer modules.

The FlexTimer module (FTM) is a two-to-eight channel timer that supports input capture, output compare, and the generation of PWM signals to control electric motor and power management applications. The FTM time reference is a 16-bit counter that can be used as an unsigned or signed counter.

Several key enhancements of this module are made:

- Signed up counter
- Deadtime insertion hardware
- Fault control inputs
- Enhanced triggering functionality
- Initialization and polarity control

## 2.2.3 ADC

This device contains one 12-bit SAR ADC module. The ADC module supports hardware triggers from FTM, LPTMR, PIT, external trigger pin and CMP output. It supports wakeup of MCU in low power mode when using internal clock source or external crystal clock.

ADC module has the following features:

- Linear successive approximation algorithm with up to 12-bit resolution
- Up to single-ended external analog inputs
- Support 12-bit, 10-bit, and 8-bit single-ended output modes
- Single or continuous conversion
- Configurable sample time and conversion speed/power
- Input clock selectable from up to four sources
- Operation in low-power modes for lower noise
- Selectable hardware conversion trigger

- Automatic compare with interrupt for less-than, greater-than or equal-to, within range, or out-of-range, programmable value
- Temperature sensor
- Hardware average function
- Selectable Voltage reference: from external or alternate
- Self-Calibration mode

### 2.2.3.1 Temperature sensor

This device contains one temperature sensor internally connected to the input channel of AD26, see [ADC electrical characteristics](#) for details of the linearity factor.

The sensor must be calibrated to gain good accuracy, so as to provide good linearity, see also [AN3031](#) for more detailed application information of the temperature sensor.

### 2.2.4 CMP

There is one analog comparator on this device.

- Each CMP has its own independent 8-bit DAC.
- Each CMP supports up to 6 analog inputs from external pins.
- Each CMP is able to convert an internal reference from the bandgap.
- Each CMP supports the round-robin sampling scheme. In summary, this allows the CMP to operate independently in VLPS and Stop modes, whilst being triggered periodically to sample up to 8 inputs. Only if an input changes state is a full wakeup generated.

The CMP has the following features:

- Inputs may range from rail to rail
- Programmable hysteresis control
- Selectable interrupt on rising-edge, falling-edge, or both rising and falling edges of the comparator output
- Selectable inversion on comparator output
- Capability to produce a wide range of outputs such as sampled, windowed, or digitally filtered
- External hysteresis can be used at the same time that the output filter is used for internal functions
- Two software selectable performance levels: Shorter propagation delay at the expense of higher power, and Low power with longer propagation delay
- DMA transfer support
- Functional in all power modes available on this MCU

- The window and filter functions are not available in STOP mode
- Integrated 8-bit DAC with selectable supply reference source and can be power down to conserve power

### 2.2.5 LPIT

The Low Power Periodic Interrupt Timer (LPIT) is a multi-channel timer module generating independent pre-trigger and trigger outputs. These timer channels can operate individually or can be chained together. The LPIT can operate in low power modes if configured to do so. The pre-trigger and trigger outputs can be used to trigger other modules on the device.

### 2.2.6 LPTMR

The low-power timer (LPTMR) can be configured to operate as a time counter with optional prescaler, or as a pulse counter with optional glitch filter, across all power modes, including the low-leakage modes. It can also continue operating through most system reset events, allowing it to be used as a time of day counter.

The LPTMR module has the following features:

- 16-bit time counter or pulse counter with compare
  - Optional interrupt can generate asynchronous wakeup from any low-power mode
  - Hardware trigger output
  - Counter supports free-running mode or reset on compare
- Configurable clock source for prescaler/glitch filter
- Configurable input source for pulse counter

### 2.2.7 CRC

This device contains one cyclic redundancy check (CRC) module which can generate 16/32-bit CRC code for error detection.

The CRC module provides a programmable polynomial, WAS, and other parameters required to implement a 16-bit or 32-bit CRC standard.

The CRC module has the following features:

- Hardware CRC generator circuit using a 16-bit or 32-bit programmable shift register

- Programmable initial seed value and polynomial
- Option to transpose input data or output data (the CRC result) bitwise or byte-wise.
- Option for inversion of final CRC result
- 32-bit CPU register programming interface

### 2.2.8 LPUART

This product contains three Low-Power UART modules, and can work in Stop and VLPS modes. The module also supports 4× to 32× data oversampling rate to meet different applications.

The LPUART module has the following features:

- Programmable baud rates (13-bit modulo divider) with configurable oversampling ratio from 4× to 32×
- Transmit and receive baud rate can operate asynchronous to the bus clock and can be configured independently of the bus clock frequency, support operation in Stop mode
- Interrupt, DMA or polled operation
- Hardware parity generation and checking
- Programmable 8-bit, 9-bit or 10-bit character length
- Programmable 1-bit or 2-bit stop bits
- Three receiver wakeup methods
  - Idle line wakeup
  - Address mark wakeup
  - Receive data match
- Automatic address matching to reduce ISR overhead:
  - Address mark matching
  - Idle line address matching
  - Address match start, address match end
- Optional 13-bit break character generation / 11-bit break character detection
- Configurable idle length detection supporting 1, 2, 4, 8, 16, 32, 64 or 128 idle characters
- Selectable transmitter output and receiver input polarity



## 2.2.9 LPSPI

This device contains one LPSPI module. The LPSPI is a low power Serial Peripheral Interface (SPI) module that supports an efficient interface to an SPI bus as a master and/or a slave. The LPSPI can continue operating in stop modes provided an appropriate clock is available and is designed for low CPU overhead with DMA offloading of FIFO register accesses.

The LPSPI module has the following features:

- Command/transmit FIFO of 4 words
- Receive FIFO of 4 words
- Host request input can be used to control the start time of an SPI bus transfer

## 2.2.10 LPI2C

This device contains one LPI2C module. The LPI2C is a low power Inter-Integrated Circuit (I2C) module that supports an efficient interface to an I2C bus as a master and/or a slave. The LPI2C can continue operating in stop modes provided an appropriate clock is available and is designed for low CPU overhead with DMA offloading of FIFO register accesses. The LPI2C implements logic support for standard-mode, fast-mode, fast-mode plus and ultra-fast modes of operation. The LPI2C module also complies with the *System Management Bus (SMBus) Specification, version 2*.

The LPI2C modules have the following features:

- Standard, Fast, Fast+ and Ultra Fast modes are supported
- HS-mode supported in slave mode
- Multi-master support including synchronization and arbitration
- Clock stretching
- General call, 7-bit and 10-bit addressing
- Software reset, START byte and Device ID require software support
- For master mode:
  - command/transmit FIFO of 4 words
  - receive FIFO of 4 words
- For slave mode:
  - separate I2C slave registers to minimize software overhead due to master/slave switching
  - support for 7-bit or 10-bit addressing, address range, SMBus alert and general call address
  - transmit/receive data register supporting interrupt or DMA requests

## 2.2.11 FlexIO

The FlexIO is a highly configurable module providing a wide range of protocols including, but not limited to UART, I2C, SPI, Camera IF, LCD RGB, PWM/Waveform generation. The module supports programmable baud rates independent of bus clock frequency, with automatic start/stop bit generation.

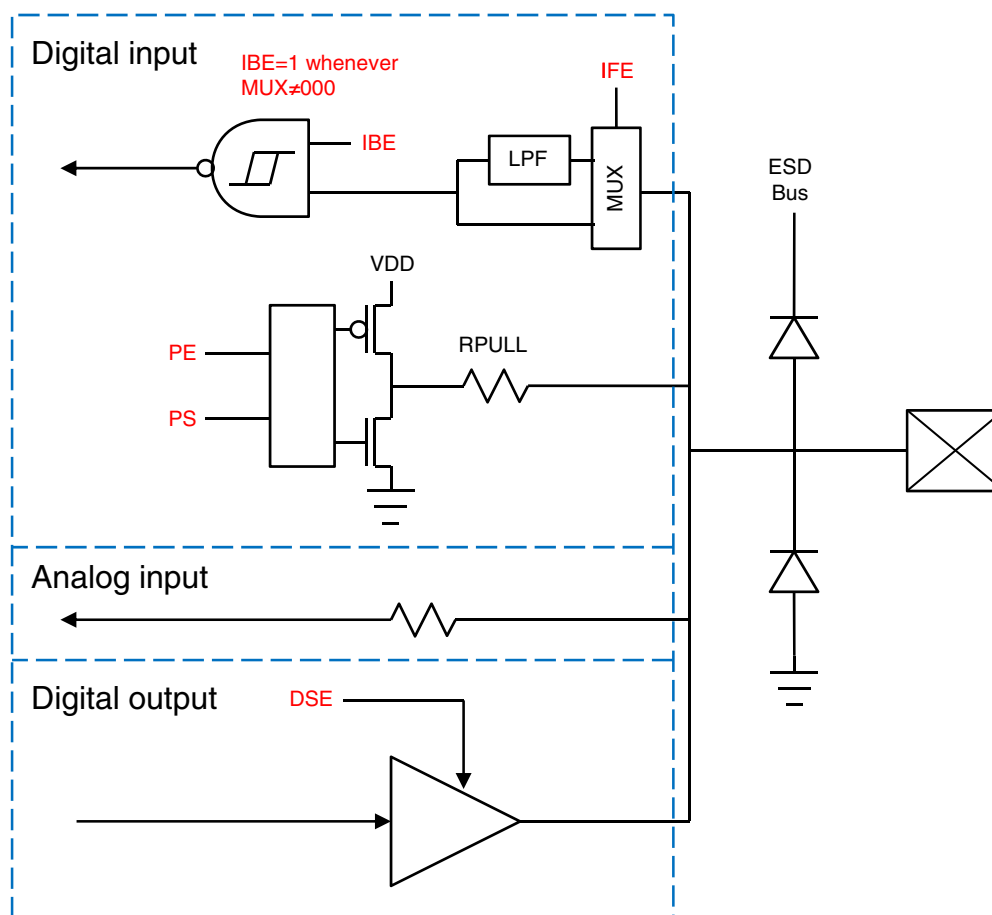
The FlexIO module has the following features:

- Functional in VLPR/VLPW/Stop/VLPS mode provided the clock it is using remains enabled
- Four 32-bit double buffered shift registers with transmit, receive, and data match modes, and continuous data transfer
- The timing of the shifter's shift, load and store events are controlled by the highly flexible 16-bit timer assigned to the shifter
- Two or more shifters can be concatenated to support large data transfer sizes
- Each 16-bit timers operates independently, supports for reset, enable and disable on a variety of internal or external trigger conditions with programmable trigger polarity
- Flexible pin configuration supporting output disabled, open drain, bidirectional output data and output mode
- Supports interrupt, DMA or polled transmit/receive operation

## 2.2.12 Port control and GPIO

The Port Control and Interrupt (PORT) module provides support for port control, digital filtering, and external interrupt functions. The GPIO data direction and output data registers control the direction and output data of each pin when the pin is configured for the GPIO function. The GPIO input data register displays the logic value on each pin when the pin is configured for any digital function, provided the corresponding Port Control and Interrupt module for that pin is enabled.

The following figure shows the basic I/O pad structure. Pseudo open-drain pins have the p-channel output driver disabled when configured for open-drain operation. None of the I/O pins, including open-drain and pseudo open-drain pins, are allowed to go above VDD.



**Figure 4. I/O simplified block diagram**

The PORT module has the following features:

- all PIN support interrupt enable
- Configurable edge (rising, falling, or both) or level sensitive interrupt type
- Support DMA request
- Asynchronous wake-up in low-power modes
- Configurable pullup, pulldown, and pull-disable on select pins
- Configurable high and low drive strength on selected pins
- Configurable passive filter on selected pins
- Individual mux control field supporting analog or pin disabled, GPIO, and up to chip-specific digital functions
- Pad configuration fields are functional in all digital pin muxing modes.

The GPIO module has the following features:

- Port Data Input register visible in all digital pin-multiplexing modes
- Port Data Output register with corresponding set/clear/toggle registers
- Port Data Direction register
- GPIO support single-cycle access via fast GPIO.

### 3 Memory map

This device contains various memories and memory-mapped peripherals which are located in a 4 GB memory space. For more details of the system memory and peripheral locations, see the Memory Map chapter in the Reference Manual.

## 4 Pinouts

### 4.1 KE1xZ Signal Multiplexing and Pin Assignments

The following table shows the signals available on each pin and the locations of these pins on the devices supported by this document. The Port Control Module is responsible for selecting which ALT functionality is available on each pin.

#### NOTE

TSI shield pin on CH4, CH12 and CH21.

100 LQFP	64 LQFP	48 LQFP	Pin Name	Default	ALT0	ALT1	ALT2	ALT3	ALT4	ALT5	ALT6	ALT7
—	10	10	VREFL/ VSS	VREFL/ VSS	VREFL/ VSS							
1	—	—	PTE16	TSIO_CH13	TSIO_CH13	PTE16					FXIO_D3	TRGMUX_ OUT7
2	—	—	PTE15	TSIO_CH14	TSIO_CH14	PTE15					FXIO_D2	TRGMUX_ OUT6
3	1	1	PTD1	TSIO_CH11	TSIO_CH11	PTD1	FTM0_CH3		FTM2_CH1		FXIO_D1	TRGMUX_ OUT2
4	2	2	PTD0	TSIO_CH12	TSIO_CH12	PTD0	FTM0_CH2		FTM2_CH0		FXIO_D0	TRGMUX_ OUT1
5	3	3	PTE11	TSIO_CH9	TSIO_CH9	PTE11	PWT_IN1	LPTMR0_ ALT1			FXIO_D5	TRGMUX_ OUT5
6	4	4	PTE10	TSIO_CH10	TSIO_CH10	PTE10	CLKOUT				FXIO_D4	TRGMUX_ OUT4
7	—	—	PTE13	TSIO_CH15	TSIO_CH15	PTE13						TRGMUX_ OUT5
8	5	5	PTE5	TSIO_CH16	TSIO_CH16	PTE5	TCLK2		FTM2_CH3		FXIO_D7	EWM_IN
9	6	6	PTE4	TSIO_CH17	TSIO_CH17	PTE4	BUSOUT		FTM2_CH2		FXIO_D6	EWM_OUT_b
10	7	7	VDD	VDD	VDD							
11	8	8	VDDA	VDDA	VDDA							

## Pinouts

100 LQFP	64 LQFP	48 LQFP	Pin Name	Default	ALT0	ALT1	ALT2	ALT3	ALT4	ALT5	ALT6	ALT7
12	9	9	VREFH	VREFH	VREFH							
13	—	—	VREFL	VREFL	VREFL							
14	—	—	VSS	VSS	VSS							
15	11	11	PTB7	EXTAL	EXTAL	PTB7	LPI2C0_SCL	LPUART0_TX				
16	12	12	PTB6	XTAL	XTAL	PTB6	LPI2C0_SDA	LPUART0_RX				
17	—	—	PTE14	DISABLED		PTE14	FTM0_FLT1					TRGMUX_OUT4
18	13	13	PTE3	ADC0_SE6/ TSI0_CH18	ADC0_SE6/ TSI0_CH18	PTE3	FTM0_FLT0	LPUART2_RTS			TRGMUX_IN6	
19	—	—	PTE12	DISABLED		PTE12	FTM0_FLT3	LPUART2_TX				TRGMUX_OUT3
20	—	—	PTD17	DISABLED		PTD17	FTM0_FLT2	LPUART2_RX				TRGMUX_OUT2
21	14	—	PTD16	ADC0_SE4/ TSI0_CH19	ADC0_SE4/ TSI0_CH19	PTD16	FTM0_CH1					
22	15	—	PTD15	ADC0_SE2/ TSI0_CH20	ADC0_SE2/ TSI0_CH20	PTD15	FTM0_CH0					
23	16	—	PTE9	ADC0_SE0/ TSI0_CH21	ADC0_SE0/ TSI0_CH21	PTE9	FTM0_CH7	LPUART2_CTS				
24	—	—	PTD14	DISABLED		PTD14		LPUART1_TX				CLKOUT
25	—	—	PTD13	DISABLED		PTD13		LPUART1_RX				
26	17	14	PTE8	ACMP0_IN3/ ADC0_SE1/ TSI0_CH22	ACMP0_IN3/ ADC0_SE1/ TSI0_CH22	PTE8	FTM0_CH6					
27	18	15	PTB5	ADC0_SE3/ TSI0_CH23	ADC0_SE3/ TSI0_CH23	PTB5	FTM0_CH5	LPSP10_PCS1			TRGMUX_IN0	
28	19	16	PTB4	ADC0_SE5/ TSI0_CH24	ADC0_SE5/ TSI0_CH24	PTB4	FTM0_CH4	LPSP10_SOUT			TRGMUX_IN1	
29	20	17	PTC3	ADC0_SE7/ ACMP0_IN4	ADC0_SE7/ ACMP0_IN4	PTC3	FTM0_CH3				FXIO_D7	
30	21	18	PTC2	ADC0_SE15/ ACMP0_IN5	ADC0_SE15/ ACMP0_IN5	PTC2	FTM0_CH2				FXIO_D6	
31	22	19	PTD7	ADC0_SE13	ADC0_SE13	PTD7	LPUART2_TX					
32	23	20	PTD6	ADC0_SE11	ADC0_SE11	PTD6	LPUART2_RX					
33	24	21	PTD5	ADC0_SE9	ADC0_SE9	PTD5	FTM2_CH3	LPTMR0_ALT2	FXIO_D3	PWT_IN2	TRGMUX_IN7	LPUART2_CTS
34	—	—	PTD12	DISABLED		PTD12	FTM2_CH2				LPUART2_RTS	
35	—	—	PTD11	DISABLED		PTD11	FTM2_CH1				LPUART2_CTS	
36	—	—	PTD10	DISABLED		PTD10	FTM2_CH0					
37	—	—	VSS	VSS	VSS							
38	—	—	VDD	VDD	VDD							
39	25	22	PTC1	ADC0_SE8/ TSI1_CH24	ADC0_SE8/ TSI1_CH24	PTC1	FTM0_CH1					

## Pinouts

100 LQFP	64 LQFP	48 LQFP	Pin Name	Default	ALT0	ALT1	ALT2	ALT3	ALT4	ALT5	ALT6	ALT7
40	26	23	PTC0	ADC0_SE10/ TS11_CH23	ADC0_SE10/ TS11_CH23	PTC0	FTM0_CH0					
41	—	—	PTD9	DISABLED		PTD9					FXIO_D2	
42	—	—	PTD8	DISABLED		PTD8	FTM0_CH7			LPSPiO_ PCS1		
43	27	—	PTC17	ADC0_SE12/ TS11_CH22	ADC0_SE12/ TS11_CH22	PTC17						
44	28	—	PTC16	ADC0_SE14/ TS11_CH21	ADC0_SE14/ TS11_CH21	PTC16						
45	29	—	PTC15	TS11_CH20	TS11_CH20	PTC15	FTM1_CH3					
46	30	—	PTC14	TS11_CH19	TS11_CH19	PTC14	FTM1_CH2					
47	31	24	PTB3	TS11_CH18	TS11_CH18	PTB3	FTM1_CH1	LPSPiO_SIN			TRGMUX_IN2	
48	32	25	PTB2	TS11_CH17	TS11_CH17	PTB2	FTM1_CH0	LPSPiO_SCK			TRGMUX_IN3	
49	—	—	PTC13	DISABLED		PTC13				LPSPiO_ PCS0		
50	—	—	PTC12	DISABLED		PTC12				LPSPiO_ SOUT		
51	—	—	PTC11	DISABLED		PTC11				LPSPiO_SIN		
52	—	—	PTC10	DISABLED		PTC10				LPSPiO_SCK		
53	33	26	PTB1	TS11_CH16	TS11_CH16	PTB1	LPUART0_TX	LPSPiO_ SOUT	TCLK0			
54	34	27	PTB0	TS11_CH15	TS11_CH15	PTB0	LPUART0_RX	LPSPiO_ PCS0	LPTMR0_ ALT3	PWT_IN3		
55	35	—	PTC9	TS11_CH14	TS11_CH14	PTC9	LPUART1_TX				LPUART0_ RTS	
56	36	—	PTC8	TS11_CH13	TS11_CH13	PTC8	LPUART1_RX				LPUART0_ CTS	
57	37	28	PTA7	TS11_CH12	TS11_CH12	PTA7	FTM0_FLT2	LPSPiO_ PCS3			LPUART1_ RTS	
58	38	29	PTA6	TS11_CH11	TS11_CH11	PTA6	FTM0_FLT1				LPUART1_ CTS	
59	39	—	PTE7	TS11_CH10	TS11_CH10	PTE7	FTM0_CH7					
60	40	30	VSS	VSS	VSS							
61	41	31	VDD	VDD	VDD							
62	—	—	PTA17	DISABLED		PTA17	FTM0_CH6		EWM_OUT_b			
63	—	—	PTB17	DISABLED		PTB17	FTM0_CH5					
64	—	—	PTB16	DISABLED		PTB16	FTM0_CH4					
65	—	—	PTB15	DISABLED		PTB15	FTM0_CH3					
66	—	—	PTB14	DISABLED		PTB14	FTM0_CH2					
67	42	—	PTB13	TS11_CH9	TS11_CH9	PTB13	FTM0_CH1					
68	43	—	PTB12	TS11_CH8	TS11_CH8	PTB12	FTM0_CH0					
69	44	32	PTD4	TS11_CH7	TS11_CH7	PTD4	FTM0_FLT3					
70	45	33	PTD3	NMI_b		PTD3			FXIO_D5	LPI2C0_SCL	TRGMUX_IN4	NMI_b

## Pinouts

100 LQFP	64 LQFP	48 LQFP	Pin Name	Default	ALT0	ALT1	ALT2	ALT3	ALT4	ALT5	ALT6	ALT7
71	46	34	PTD2	TS11_CH6	TS11_CH6	PTD2			FXIO_D4	LPI2C0_SDA	TRGMUX_IN5	
72	47	35	PTA3	TS11_CH5	TS11_CH5	PTA3		LPI2C0_SCL	EWM_IN		LPUART0_TX	
73	48	36	PTA2	TS11_CH4	TS11_CH4	PTA2		LPI2C0_SDA	EWM_OUT_b		LPUART0_RX	
74	—	—	PTB11	DISABLED		PTB11	FTM0_CH1	LPI2C0_HREQ			FXIO_D1	
75	—	—	PTB10	DISABLED		PTB10	FTM0_CH0	LPI2C0_SDAS			FXIO_D0	
76	—	—	PTB9	DISABLED		PTB9		LPI2C0_SCLS			FXIO_D5	
77	—	—	PTB8	DISABLED		PTB8			LPI2C0_SCL		FXIO_D4	
78	49	37	PTA1	ACMP0_IN1/ TS11_CH3	ACMP0_IN1/ TS11_CH3	PTA1	FTM1_CH1	LPI2C0_SDAS	FXIO_D3		LPUART0_RTS	TRGMUX_OUT0
79	50	38	PTA0	ACMP0_IN0/ TS11_CH2	ACMP0_IN0/ TS11_CH2	PTA0	FTM2_CH1	LPI2C0_SCLS	FXIO_D2		LPUART0_CTS	TRGMUX_OUT3
80	51	39	PTC7	TS11_CH1	TS11_CH1	PTC7	LPUART1_TX					
81	52	40	PTC6	TS11_CH0	TS11_CH0	PTC6	LPUART1_RX					
82	—	—	PTA16	DISABLED		PTA16	FTM1_CH3		LPI2C0_SDA			
83	—	—	PTA15	DISABLED		PTA15	FTM1_CH2	LPSP10_PCS3				
84	53	41	PTE6	TS10_CH0	TS10_CH0	PTE6	LPSP10_PCS2				LPUART1_RTS	
85	54	42	PTE2	TS10_CH1	TS10_CH1	PTE2	LPSP10_SOUT	LPTMRO_ALT3		PWT_IN3	LPUART1_CTS	
86	—	—	VSS	VSS	VSS							
87	—	—	VDD	VDD	VDD							
88	—	—	PTA14	DISABLED		PTA14	FTM0_FLT0		EWM_IN			BUSOUT
89	55	—	PTA13	TS10_CH2	TS10_CH2	PTA13				LPUART0_RX		
90	56	—	PTA12	TS10_CH3	TS10_CH3	PTA12				LPUART0_TX		
91	57	—	PTA11	TS10_CH4	TS10_CH4	PTA11		LPUART0_RX	FXIO_D1			
92	58	—	PTA10	TS10_CH5	TS10_CH5	PTA10		LPUART0_TX	FXIO_D0			
93	59	43	PTE1	TS10_CH6	TS10_CH6	PTE1	LPSP10_SIN	LPI2C0_HREQ				
94	60	44	PTE0	TS10_CH7	TS10_CH7	PTE0	LPSP10_SCK	TCLK1				
95	61	45	PTC5	TS10_CH8	TS10_CH8	PTC5	FTM2_CH0					
96	62	46	PTC4	SWD_CLK	ACMP0_IN2	PTC4	FTM1_CH0	LPUART1_RX		EWM_IN		SWD_CLK
97	63	47	PTA5	RESET_b		PTA5		TCLK1				RESET_b
98	64	48	PTA4	SWD_DIO		PTA4		LPUART1_TX	ACMP0_OUT	EWM_OUT_b		SWD_DIO
99	—	—	PTA9	DISABLED		PTA9			FXIO_D7			TRGMUX_OUT1
100	—	—	PTA8	DISABLED		PTA8			FXIO_D6			TRGMUX_OUT0

## 4.2 Port control and interrupt summary

The following table provides more information regarding the Port Control and Interrupt configurations.

**Table 6. Ports summary**

Feature	Port A	Port B	Port C	Port D	Port E
Pull select control	Yes	Yes	Yes	Yes	Yes
Pull select at reset	PTA4/PTA5=Pull up, Others=No	No	PTC4=Pull down, Others=No	PTD3=Pull up, Others=No	No
Pull enable control	Yes	Yes	Yes	Yes	Yes
Pull enable at reset	PTA4/PTA5=Enabled; Others=Disabled	Disabled	PTC4=Enabled; Others=Disabled	PTD3=Enabled; Others=Disabled	Disabled
Passive filter enable control	PTA5=Yes; Others=No	No	No	PTD3=Yes; Others=No	No
Passive filter enable at reset	PTA5=Enabled; Others=Disabled	Disabled	Disabled	Disabled	Disabled
Open drain enable control	I2C and UART Tx=Enabled; Others=Disabled	I2C and UART Tx=Enabled; Others=Disabled	I2C and UART Tx=Enabled; Others=Disabled	I2C and UART Tx=Enabled; Others=Disabled	I2C and UART Tx=Enabled; Others=Disabled
Open drain enable at reset	Disabled	Disabled	Disabled	Disabled	Disabled
Drive strength enable control	No	PTB4/PTB5 only	No	PTD0/PTD1/PTD15/PTD16 only	PTE0/PTE1 only
Drive strength enable at reset	Disabled	Disabled	Disabled	Disabled	Disabled
Pin mux control	Yes	Yes	Yes	Yes	Yes
Pin mux at reset	PTA4/PTA5=ALT7; Others=ALT0	ALT0	PTC4=ALT7; Others=ALT0	PTD3=ALT7; Others=ALT0	ALT0
Lock bit	Yes	Yes	Yes	Yes	Yes
Interrupt and DMA request	Yes	Yes	Yes	Yes	Yes
Digital glitch filter	No	No	No	No	Yes

## 4.3 Module Signal Description Tables

The following sections correlate the chip-level signal name with the signal name used in the module's chapter. They also briefly describe the signal function and direction.



### 4.3.1 Core Modules

**Table 7. SWD Signal Descriptions**

Chip signal name	Module signal name	Description	I/O
SWD_CLK	SWD_CLK	Serial Wire Clock	I
SWD_DIO	SWD_DIO	Serial Wire Data	I/O

### 4.3.2 System Modules

**Table 8. System Signal Descriptions**

Chip signal name	Module signal name	Description	I/O
NMI_b	—	Non-maskable interrupt NOTE: Driving the NMI signal low forces a non-maskable interrupt, if the NMI function is selected on the corresponding pin.	I
RESET_b	—	Reset bidirectional signal	I/O
VDD	—	MCU power	I
VSS	—	MCU ground	I

**Table 9. EWM Signal Descriptions**

Chip signal name	Module signal name	Description	I/O
EWM_IN	EWM_in	EWM input for safety status of external safety circuits. The polarity of EWM_IN is programmable using the EWM_CTRL[ASSIN] bit. The default polarity is active-low.	I
EWM_OUT_b	$\overline{\text{EWM\_out}}$	EWM reset out signal	O

### 4.3.3 Clock Modules

**Table 10. OSC (in SCG) Signal Descriptions**

Chip signal name	Module signal name	Description	I/O
EXTAL	EXTAL	External clock/Oscillator input	I
XTAL	XTAL	Oscillator output	O

## 4.3.4 Analog

**Table 11. ADC0 Signal Descriptions**

Chip signal name	Module signal name	Description	I/O
ADC0_SE[15:0]	AD[15:0]	Single-Ended Analog Channel Inputs	I
VREFH	V <sub>REFSH</sub>	Voltage Reference Select High	I
VREFL	V <sub>REFSL</sub>	Voltage Reference Select Low	I
VDDA	V <sub>DDA</sub>	Analog Power Supply	I

**Table 12. ACMP0 Signal Descriptions**

Chip signal name	Module signal name	Description	I/O
ACMP0_IN[5:0]	IN[5:0]	Analog voltage inputs	I
ACMP0_OUT	CMPO	Comparator output	O

## 4.3.5 Timer Modules

**Table 13. LPTMR0 Signal Descriptions**

Chip signal name	Module signal name	Description	I/O
LPTMR0_ALT[3:1]	LPTMR_ALT $n$	Pulse Counter Input pin	I

**Table 14. FTM0 Signal Descriptions**

Chip signal name	Module signal name	Description	I/O
FTM0_CH[7:0]	CH $n$	FTM channel (n), where n can be 7-0	I/O
FTM0_FLT[3:0]	FAULT $j$	Fault input (j), where j can be 3-0	I
TCLK[2:0]	EXTCLK	External clock. FTM external clock can be selected to drive the FTM counter.	I

**Table 15. FTM1 Signal Descriptions**

Chip signal name	Module signal name	Description	I/O
FTM1_CH[3:0]	CH $n$	FTM channel (n), where n can be 3-0	I/O
FTM1_FLT[3:2]	FAULT $j$	Fault input (j), where j can be 3-2	I
TCLK[2:0]	EXTCLK	External clock. FTM external clock can be selected to drive the FTM counter.	I

**Table 16. FTM2 Signal Descriptions**

Chip signal name	Module signal name	Description	I/O
FTM2_CH[3:0]	CHn	FTM channel (n), where n can be 3-0	I/O
FTM2_FLT[3:2]	FAULTj	Fault input (j), where j can be 3-2	I
TCLK[2:0]	EXTCLK	External clock. FTM external clock can be selected to drive the FTM counter.	I

### 4.3.6 Communication Interfaces

**Table 17. LPSPIn Signal Descriptions**

Chip signal name	Module signal name	Description	I/O
LPSPIn_SOUT	SOUT	Serial Data Out	O
LPSPIn_SIN	SIN	Serial Data In	I
LPSPIn_SCK	SCK	Serial Clock	I/O
LPSPIn_PCS[3:0]	PCS[3:0]	Peripheral Chip Select 0-3	I/O

**Table 18. LPI2Cn Signal Descriptions**

Chip signal name	Module signal name	Description	I/O
LPI2Cn_SCL	SCL	Bidirectional serial clock line of the I2C system.	I/O
LPI2Cn_SDA	SDA	Bidirectional serial data line of the I2C system.	I/O
LPI2Cn_HREQ	HREQ	Host request, can initiate an LPI2C master transfer if asserted and the I2C bus is idle.	I
LPI2Cn_SCLS	SCLS	Secondary I2C clock line.	I/O
LPI2Cn_SDAS	SDAS	Secondary I2C data line.	I/O

**Table 19. LPUARTn Signal Descriptions**

Chip signal name	Module signal name	Description	I/O
LPUARTn_TX	LPUART_TXD	Transmit data	I/O
LPUARTn_RX	LPUART_RXD	Receive data	I
LPUARTn_CTS	LPUART_CTS	Clear to send	I
LPUARTn_RTS	LPUART_RTS	Request to send	O

**Table 20. FlexIO Signal Descriptions**

Chip signal name	Module signal name	Description	I/O
FXIO_D[7:0]	FXIO_D[7:0]	Bidirectional FlexIO Shifter and Timer pin inputs/outputs	I/O

### 4.3.7 Human-Machine Interfaces (HMI)

**Table 21. GPIO Signal Descriptions**

Chip signal name	Module signal name	Description	I/O
PTA[17:0]	PORTA17–PORTA0	General-purpose input/output	I/O
PTB[17:0]	PORTB17–PORTB0	General-purpose input/output	I/O
PTC[17:0]	PORTC17–PORTC0	General-purpose input/output	I/O
PTD[17:0]	PORTD17–PORTD0	General-purpose input/output	I/O
PTE[16:0]	PORTE16–PORTE0	General-purpose input/output	I/O

**Table 22. TSI<sub>n</sub> Signal Descriptions**

Chip signal name	Module signal name	Description	I/O
TSI <sub>n</sub> _CH[24:0]	TSI[24:0]	TSI sensing pins or GPIO pins	I/O

## 4.4 Pinout diagram

The following figure shows the pinout diagram for the devices supported by this document. Many signals may be multiplexed onto a single pin. To determine what signals can be used on which pin, see the previous table of Pin Assignments.

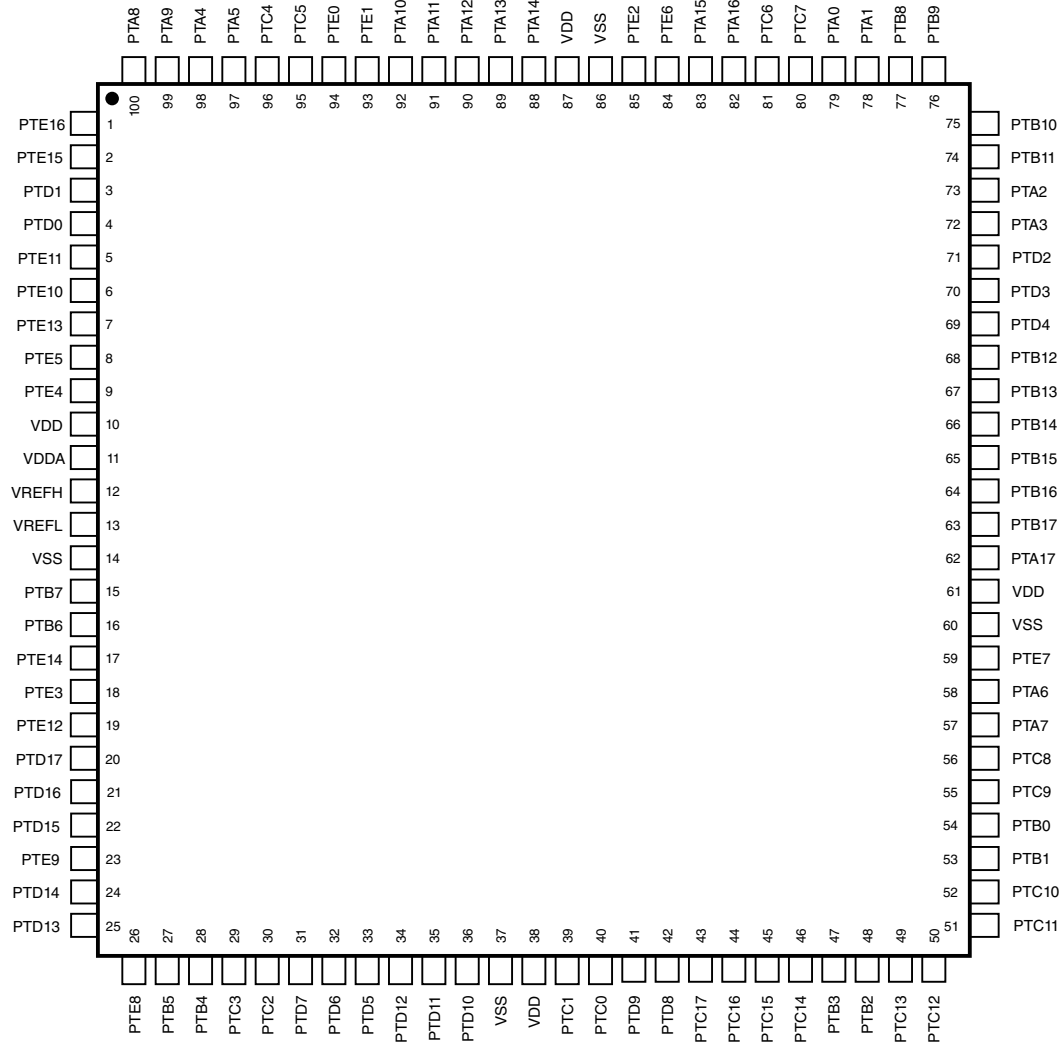
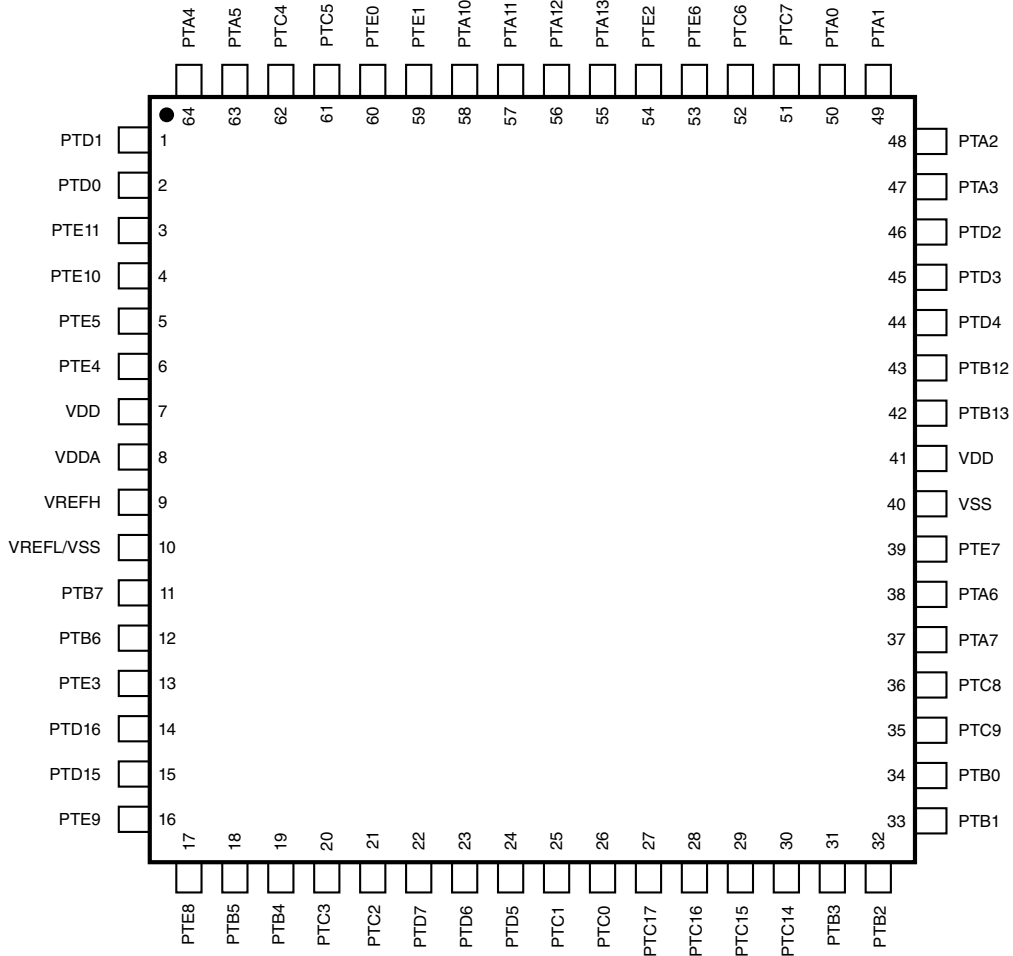


Figure 5. 100 LQFP Pinout Diagram

# Pinouts



**Figure 6. 64 LQFP Pinout Diagram**

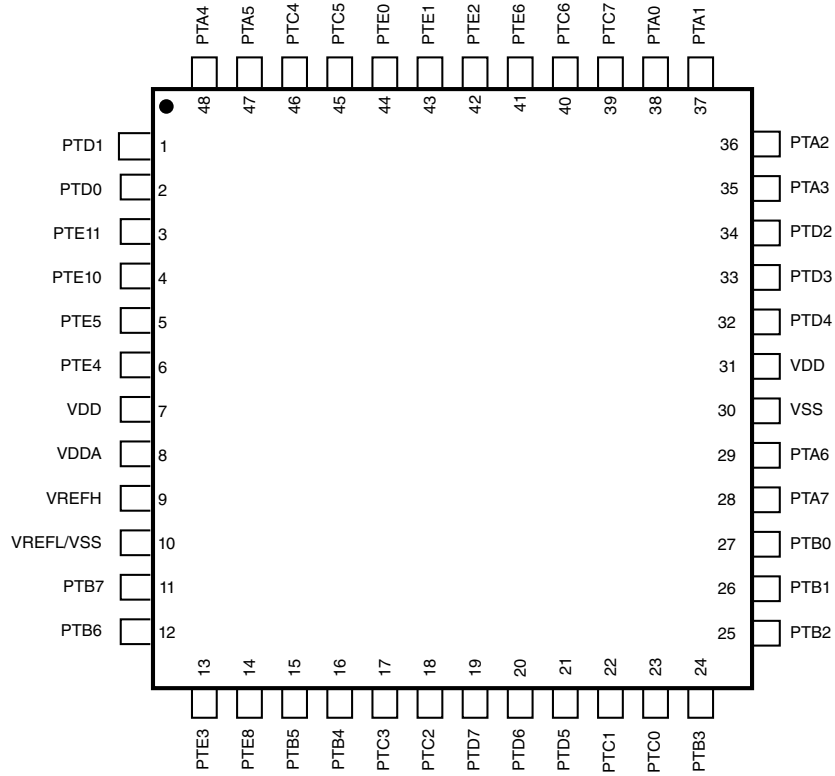
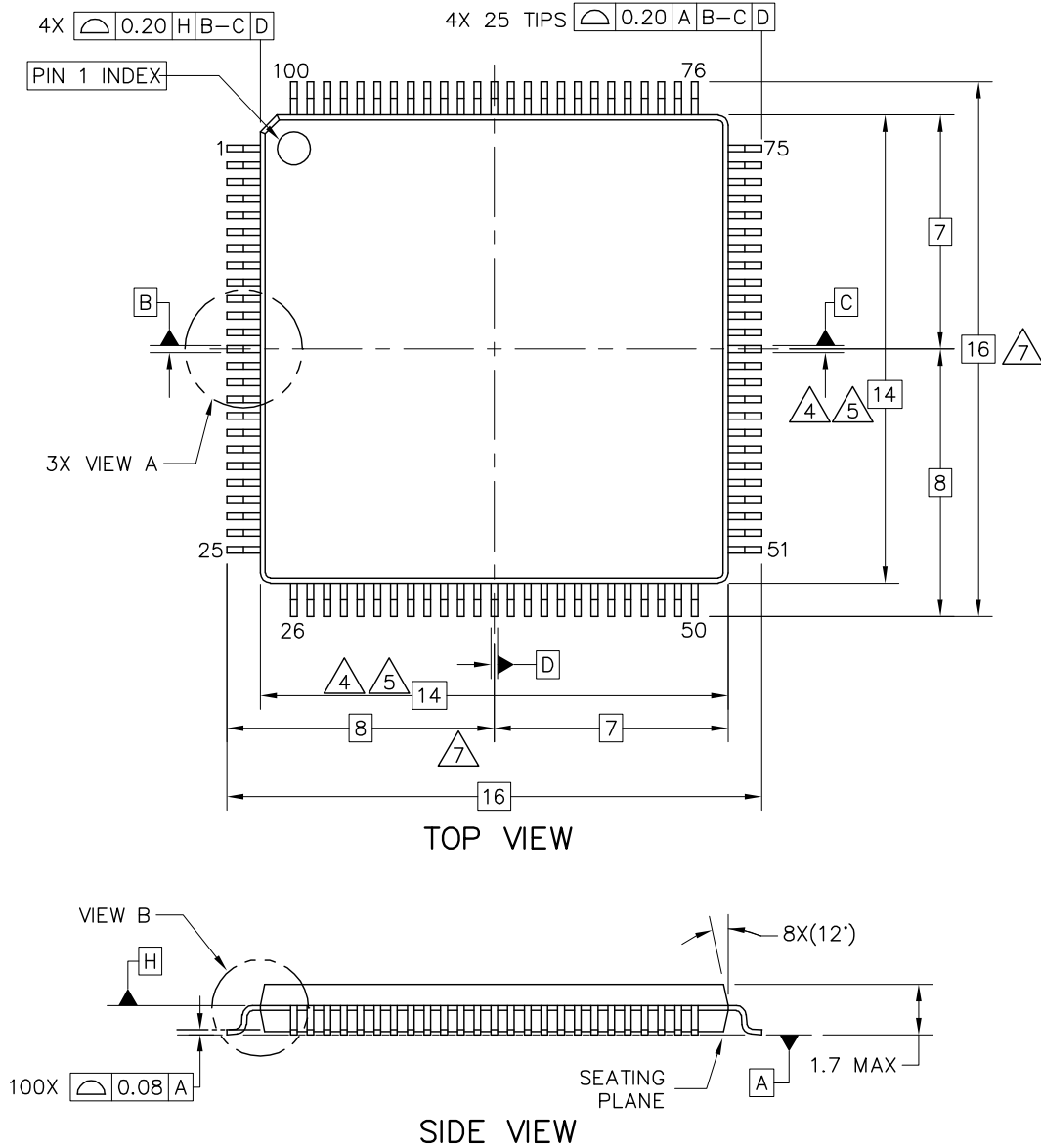


Figure 7. 48 LQFP Pinout Diagram

## 4.5 Package dimensions

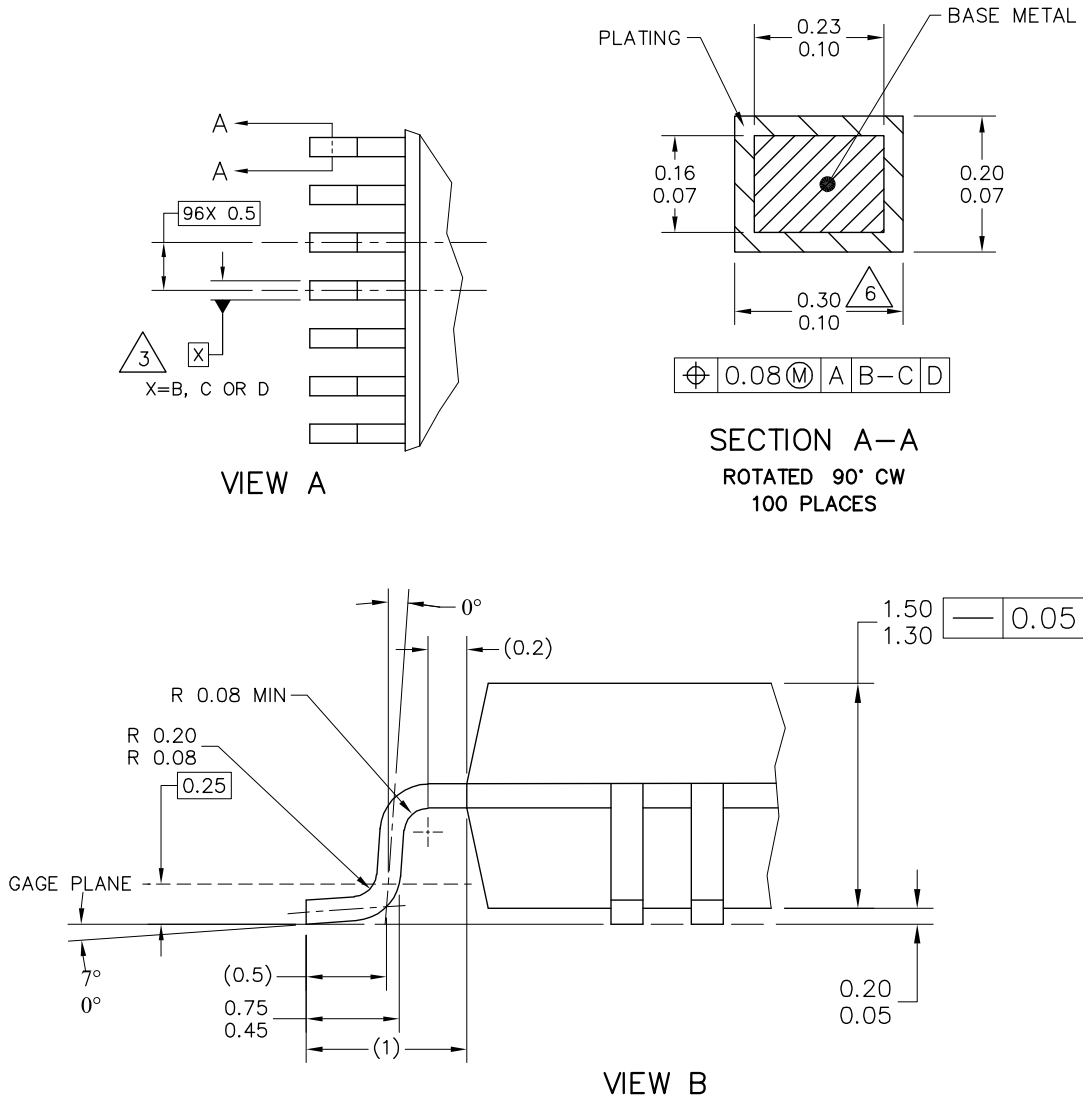
The following figures show the dimensions of the package options for the devices supported by this document.

**Pinouts**



**Figure 8. 100-pin LQFP package dimensions 1**



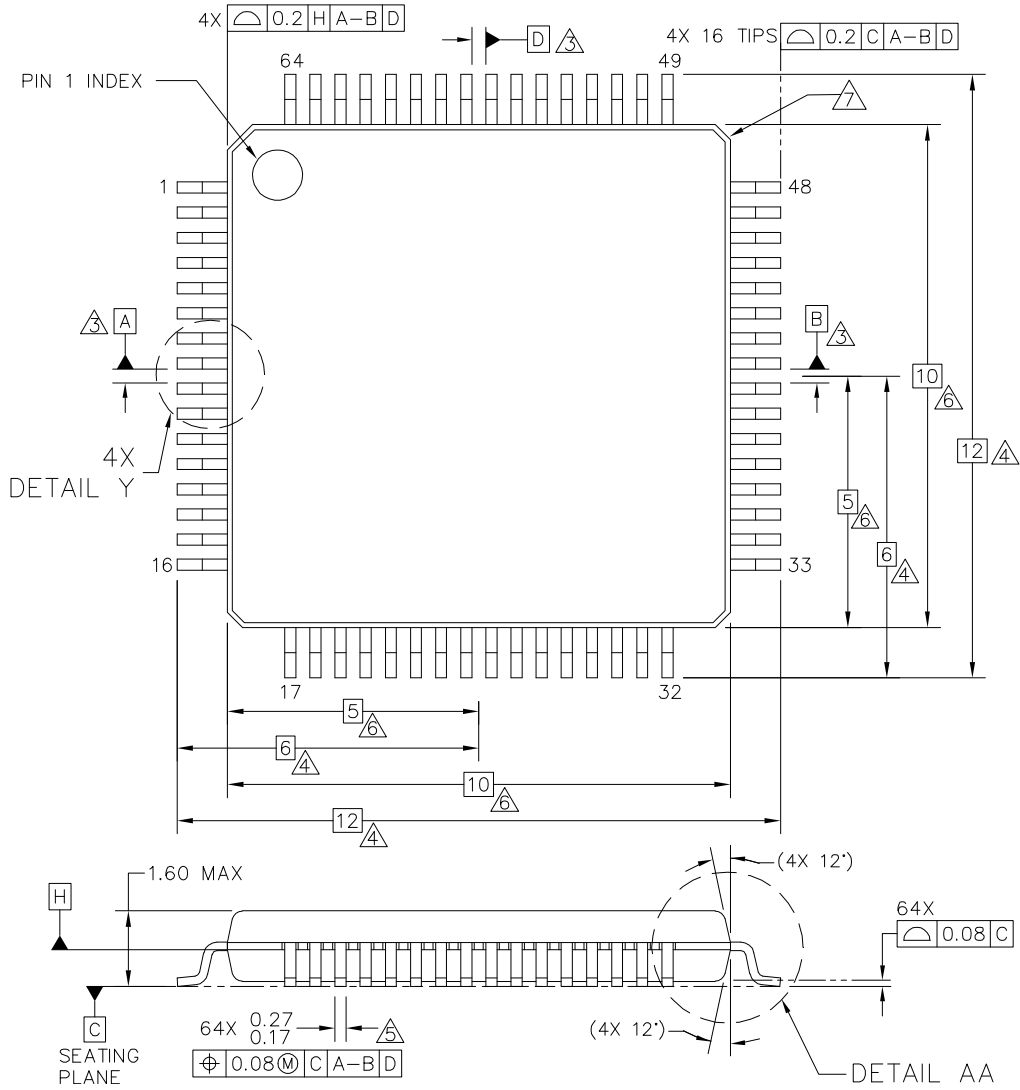


NOTES:

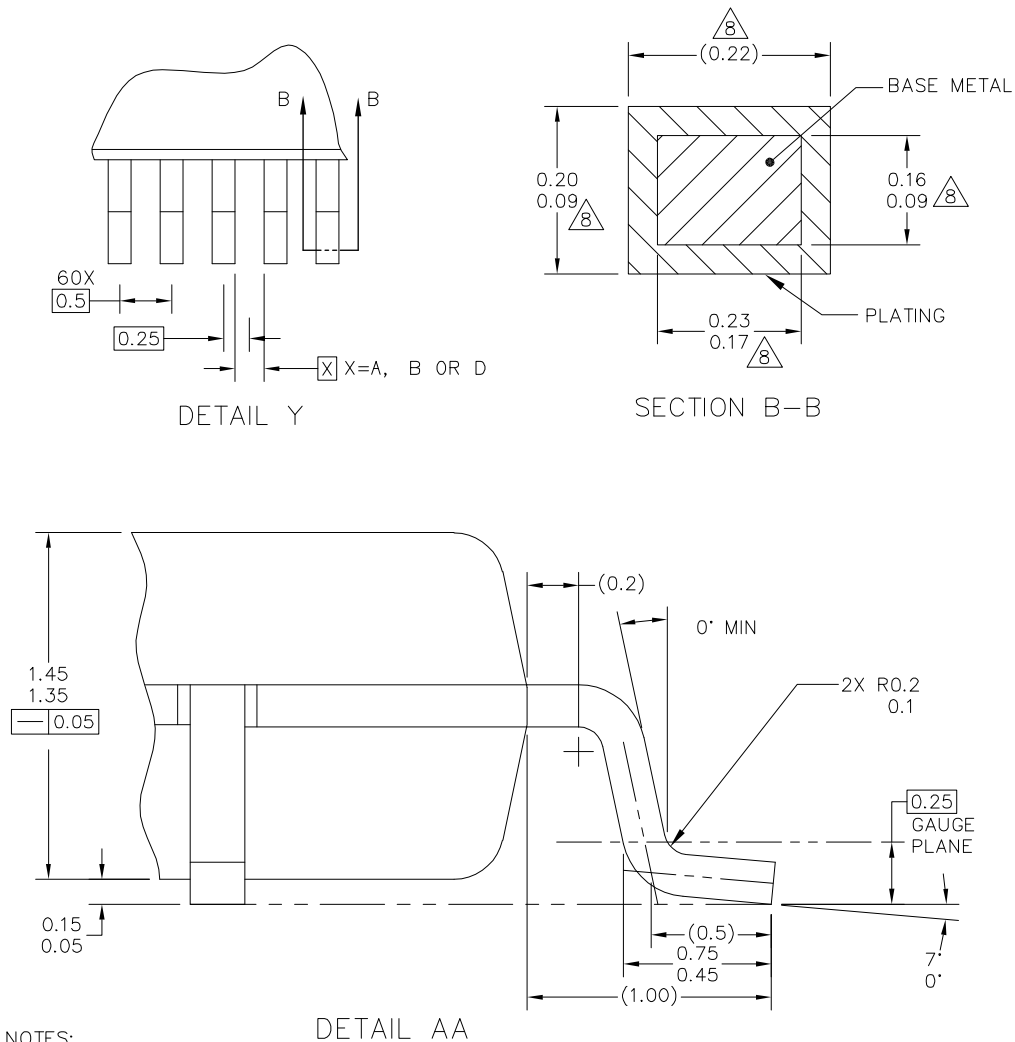
1. ALL DIMENSIONS ARE IN MILLIMETERS.
2. INTERPRET DIMENSIONS AND TOLERANCES PER ASME Y14.5M-1994.
3. DATUMS B, C AND D TO BE DETERMINED AT DATUM PLANE H.
4. THE TOP PACKAGE BODY SIZE MAY BE SMALLER THAN THE BOTTOM PACKAGE SIZE BY A MAXIMUM OF 0.1 MM.
5. DIMENSIONS DO NOT INCLUDE MOLD PROTRUSIONS. THE MAXIMUM ALLOWABLE PROTRUSION IS 0.25 mm PER SIDE. THE DIMENSIONS ARE MAXIMUM BODY SIZE DIMENSIONS INCLUDING MOLD MISMATCH.
6. DIMENSION DOES NOT INCLUDE DAM BAR PROTRUSION. PROTRUSIONS SHALL NOT CAUSE THE LEAD WIDTH TO EXCEED 0.35. MINIMUM SPACE BETWEEN PROTRUSION AND AN ADJACENT LEAD SHALL BE 0.07 MM.
7. DIMENSIONS ARE DETERMINED AT THE SEATING PLANE, DATUM A.

**Figure 9. 100-pin LQFP package dimensions 2**

**Pinouts**



**Figure 10. 64-pin LQFP package dimensions 1**

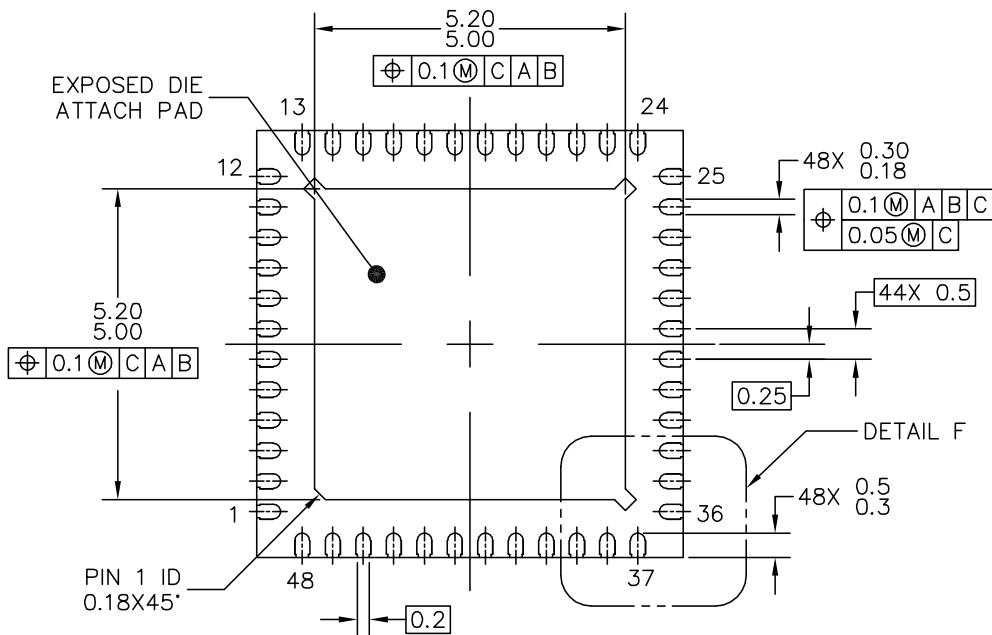
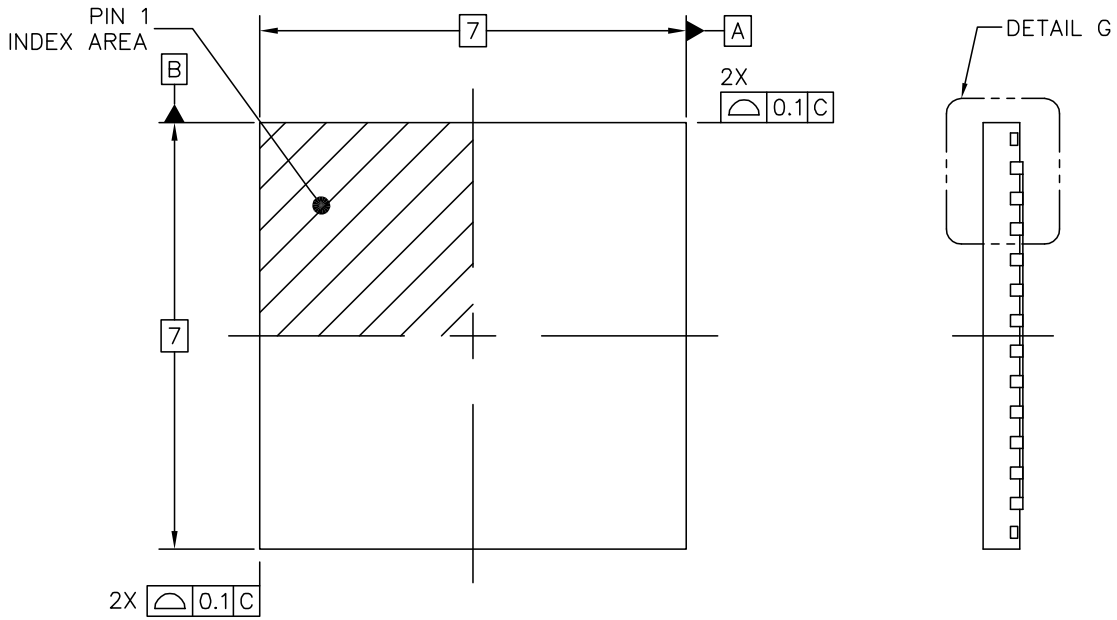


## NOTES:

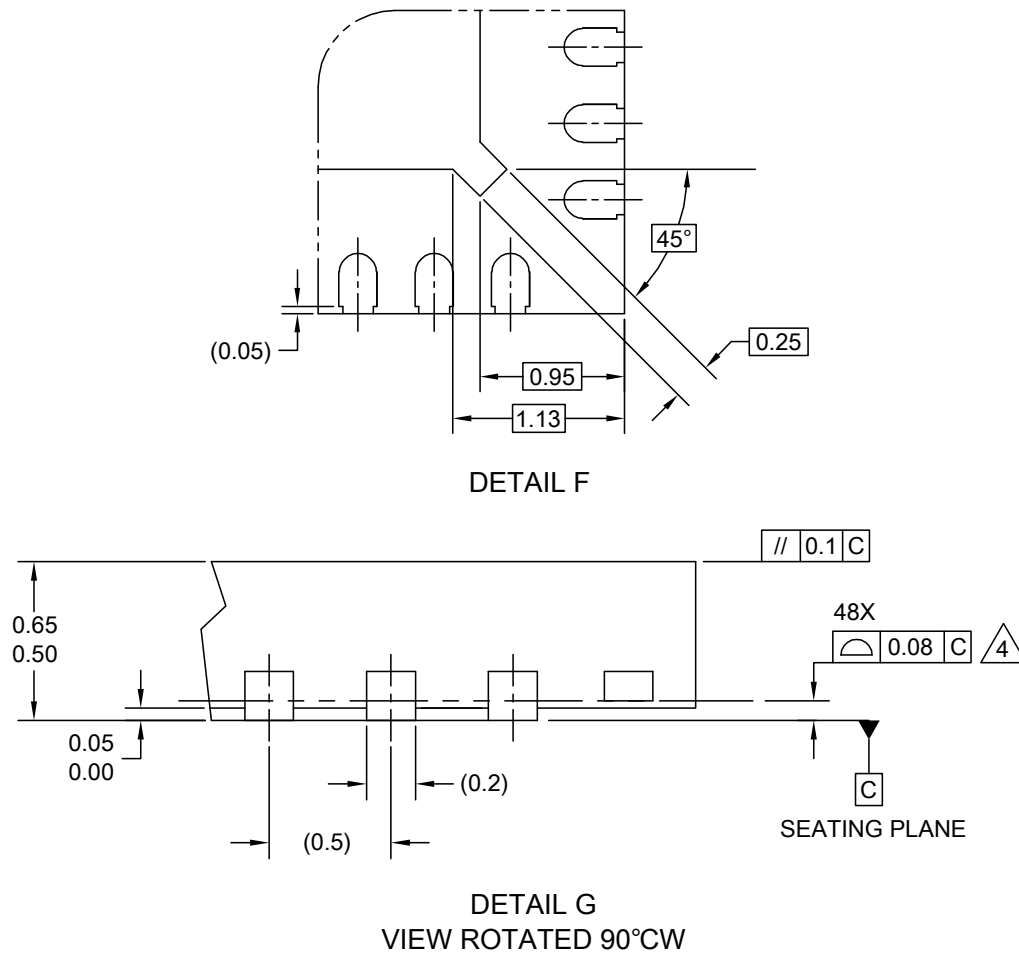
1. DIMENSIONS ARE IN MILLIMETERS.
2. DIMENSIONING AND TOLERANCING PER ASME Y14.5M-1994.
3. DATUMS A, B AND D TO BE DETERMINED AT DATUM PLANE H.
4. DIMENSIONS TO BE DETERMINED AT SEATING PLANE C.
5. THIS DIMENSION DOES NOT INCLUDE DAMBAR PROTRUSION. ALLOWABLE DAMBAR PROTRUSION SHALL NOT CAUSE THE LEAD WIDTH TO EXCEED THE UPPER LIMIT BY MORE THAN 0.08 MM AT MAXIMUM MATERIAL CONDITION. DAMBAR CANNOT BE LOCATED ON THE LOWER RADIUS OR THE FOOT. MINIMUM SPACE BETWEEN PROTRUSION AND ADJACENT LEAD SHALL NOT BE LESS THAN 0.07 MM.
6. THIS DIMENSION DOES NOT INCLUDE MOLD PROTRUSION. ALLOWABLE PROTRUSION IS 0.25 MM PER SIDE. THIS DIMENSION IS MAXIMUM PLASTIC BODY SIZE DIMENSION INCLUDING MOLD MISMATCH.
7. EXACT SHAPE OF EACH CORNER IS OPTIONAL.
8. THESE DIMENSIONS APPLY TO THE FLAT SECTION OF THE LEAD BETWEEN 0.1 MM AND 0.25 MM FROM THE LEAD TIP.

**Figure 11. 64-pin LQFP package dimensions 2**

**Pinouts**



**Figure 12. 48-pin QFN package dimension 1**



## NOTES:

1. ALL DIMENSIONS ARE IN MILLIMETERS.
2. DIMENSIONING AND TOLERANCING PER ASME Y14.5M-1994.
3. THIS IS A NON-JEDEC REGISTERED PACKAGE.
4. COPLANARITY APPLIES TO LEADS AND DIE ATTACH FLAG.
5. MIN. METAL GAP SHOULD BE 0.2 MM.

**Figure 13. 48-pin QFN package dimension 2**

## 5 Electrical characteristics

### 5.1 Terminology and guidelines

### 5.1.1 Definitions

Key terms are defined in the following table:

Term	Definition
Rating	<p>A minimum or maximum value of a technical characteristic that, if exceeded, may cause permanent chip failure:</p> <ul style="list-style-type: none"> <li>• <i>Operating ratings</i> apply during operation of the chip.</li> <li>• <i>Handling ratings</i> apply when the chip is not powered.</li> </ul> <p><b>NOTE:</b> The likelihood of permanent chip failure increases rapidly as soon as a characteristic begins to exceed one of its operating ratings.</p>
Operating requirement	A specified value or range of values for a technical characteristic that you must guarantee during operation to avoid incorrect operation and possibly decreasing the useful life of the chip
Operating behavior	A specified value or range of values for a technical characteristic that are guaranteed during operation if you meet the operating requirements and any other specified conditions
Typical value	<p>A specified value for a technical characteristic that:</p> <ul style="list-style-type: none"> <li>• Lies within the range of values specified by the operating behavior</li> <li>• Is representative of that characteristic during operation when you meet the <a href="#">typical-value conditions</a> or other specified conditions</li> </ul> <p><b>NOTE:</b> Typical values are provided as design guidelines and are neither tested nor guaranteed.</p>

### 5.1.2 Examples

*Operating rating:*

Symbol	Description	Min.	Max.	Unit
V <sub>DD</sub>	1.0 V core supply voltage	-0.3	1.2	V

*Operating requirement:*

Symbol	Description	Min.	Max.	Unit
V <sub>DD</sub>	1.0 V core supply voltage	0.9	1.1	V

*Operating behavior that includes a typical value:*

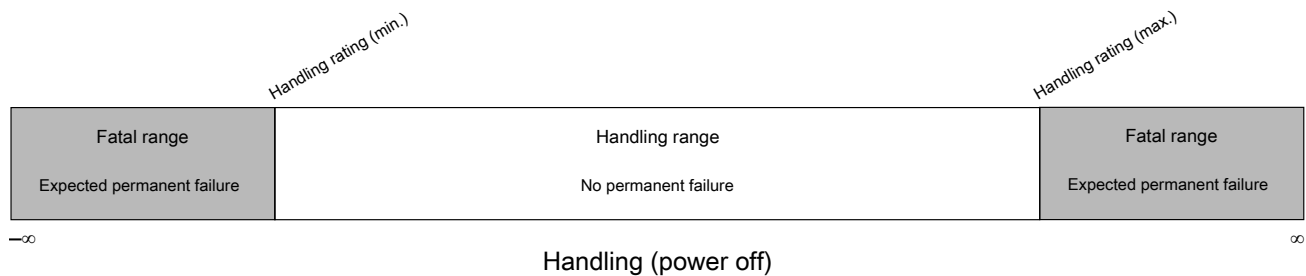
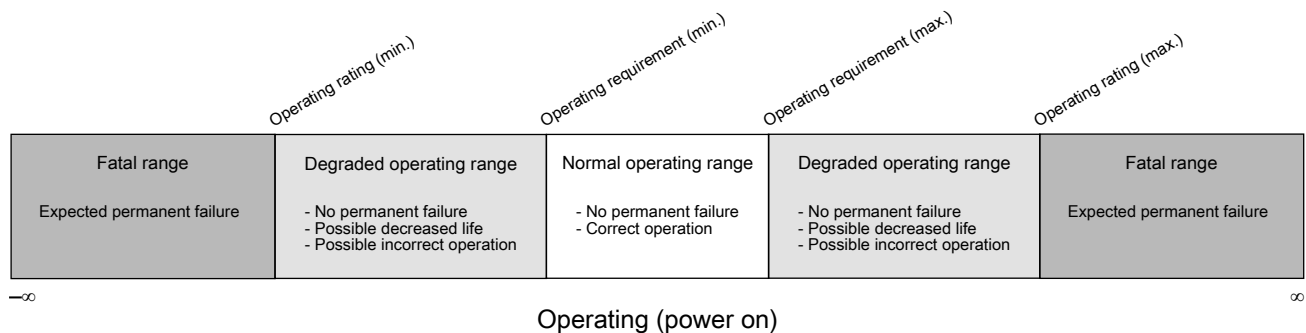
Symbol	Description	Min.	Typ.	Max.	Unit
I <sub>WP</sub>	Digital I/O weak pullup/pulldown current	10	70	130	μA

### 5.1.3 Typical-value conditions

Typical values assume you meet the following conditions (or other conditions as specified):

Symbol	Description	Value	Unit
$T_A$	Ambient temperature	25	°C
$V_{DD}$	Supply voltage	5.0	V

### 5.1.4 Relationship between ratings and operating requirements



### 5.1.5 Guidelines for ratings and operating requirements

Follow these guidelines for ratings and operating requirements:

- Never exceed any of the chip's ratings.
- During normal operation, don't exceed any of the chip's operating requirements.
- If you must exceed an operating requirement at times other than during normal operation (for example, during power sequencing), limit the duration as much as possible.

## 5.2 Ratings

### 5.2.1 Thermal handling ratings

Symbol	Description	Min.	Max.	Unit	Notes
T <sub>STG</sub>	Storage temperature	-55	150	°C	1
T <sub>SDR</sub>	Solder temperature, lead-free	—	260	°C	2

1. Determined according to JEDEC Standard JESD22-A103, *High Temperature Storage Life*.
2. Determined according to IPC/JEDEC Standard J-STD-020, *Moisture/Reflow Sensitivity Classification for Nonhermetic Solid State Surface Mount Devices*.

### 5.2.2 Moisture handling ratings

Symbol	Description	Min.	Max.	Unit	Notes
MSL	Moisture sensitivity level	—	3	—	1

1. Determined according to IPC/JEDEC Standard J-STD-020, *Moisture/Reflow Sensitivity Classification for Nonhermetic Solid State Surface Mount Devices*.

### 5.2.3 ESD handling ratings

Symbol	Description	Min.	Max.	Unit	Notes
V <sub>HBM</sub>	Electrostatic discharge voltage, human body model	- 6000	6000	V	1
V <sub>CDM</sub>	Electrostatic discharge voltage, charged-device model				2
	All pins except the corner pins	- 500	500	V	
	Corner pins only	- 750	750	V	
I <sub>LAT</sub>	Latch-up current at ambient temperature upper limit	- 100	100	mA	3

1. Determined according to JEDEC Standard JS001, *Electrostatic Discharge (ESD) Sensitivity Testing Human Body Model (HBM)*.
2. Determined according to JEDEC Standard JS002, *Field-Induced Charged-Device Model Test Method for Electrostatic-Discharge-Withstand Thresholds of Microelectronic Components*.
3. Determined according to JEDEC Standard JESD78, *IC Latch-Up Test*.



## 5.2.4 Voltage and current operating ratings

### NOTE

Functional operating conditions appear in the "DC electrical specifications". Absolute maximum ratings are stress ratings only, and functional operation at the maximum values is not guaranteed. Stress beyond the listed maximum values may affect device reliability or cause permanent damage to the device.

**Table 23. Voltage and current operating ratings**

Symbol	Description	Min.	Max.	Unit
$V_{DD}$	Supply voltage	-0.3	5.8 <sup>1</sup>	V
$I_{DD}$	Digital supply current	—		mA
$V_{IO}$	IO pin input voltage	$V_{SS} - 0.3$	$V_{DD} + 0.3$	V
$I_D$	Instantaneous maximum current single pin limit (applies to all port pins)	-25	25	mA
$V_{DDA}$	Analog supply voltage	$V_{DD} - 0.1$	$V_{DD} + 0.1$	V

1. 60s lifetime - No restrictions, i.e. the part can switch.

10 hours lifetime - Device in reset, i.e. the part cannot switch.

## 5.3 General

### 5.3.1 Nonswitching electrical specifications

#### 5.3.1.1 Voltage and current operating requirements

**Table 24. Voltage and current operating requirements**

Symbol	Description	Min.	Max.	Unit	Notes
$V_{DD}$	Supply voltage	2.7	5.5	V	
$V_{DDA}$	Analog supply voltage	2.7	5.5	V	
$V_{DD} - V_{DDA}$	$V_{DD}$ -to- $V_{DDA}$ differential voltage	-0.1	0.1	V	
$V_{SS} - V_{SSA}$	$V_{SS}$ -to- $V_{SSA}$ differential voltage	-0.1	0.1	V	
$I_{CIO}$	DC injection current — single pin				
	$V_{IN} < V_{SS} - 0.3$ V (Negative current injection)	-3	—	mA	1

*Table continues on the next page...*

## Electrical characteristics

**Table 24. Voltage and current operating requirements (continued)**

Symbol	Description	Min.	Max.	Unit	Notes
	$V_{IN} > V_{DD} + 0.3\text{ V}$ (Positive current injection)	—	+ 3	mA	
$I_{ICcont}$	Contiguous pin DC injection current — regional limit, includes sum of negative injection currents or sum of positive injection currents of 16 contiguous pins	- 25	+ 25	mA	
$V_{ODPU}$	Open drain pullup voltage level	$V_{DD}$	$V_{DD}$	V	2

- All pins are internally clamped to  $V_{SS}$  and  $V_{DD}$  through ESD protection diodes. If  $V_{IN}$  is less than  $V_{SS} - 0.3\text{V}$  or greater than  $V_{DD} + 0.3\text{V}$ , a current limiting resistor is required. The negative DC injection current limiting resistor is calculated as  $R = (V_{SS} - 0.3\text{V} - V_{IN}) / |I_{ICcont}|$ . The positive injection current limiting resistor is calculated as  $R = [V_{IN} - (V_{DD} + 0.3\text{V})] / |I_{ICcont}|$ . The actual resistor values should be an order of magnitude higher to tolerate transient voltages.
- Open drain outputs must be pulled to  $V_{DD}$ .

### 5.3.1.2 DC electrical specifications at 3.3 V Range and 5.0 V Range

**Table 25. DC electrical specifications**

Symbol	Parameter	Value			Unit	Notes
		Min	Typ	Max		
$V_{DD}$	I/O Supply Voltage <sup>1</sup> @ $V_{DD} = 3.3\text{ V}$	2.7	3.3	4	V	
	@ $V_{DD} = 5.0\text{ V}$	4	—	5.5	V	
$V_{ih}$	Input Buffer High Voltage @ $V_{DD} = 3.3\text{ V}$	$0.7 \times V_{DD}$	—	$V_{DD} + 0.3$	V	
	@ $V_{DD} = 5.0\text{ V}$	$0.65 \times V_{DD}$	—	$V_{DD} + 0.3$	V	
$V_{il}$	Input Buffer Low Voltage @ $V_{DD} = 3.3\text{ V}$	$V_{SS} - 0.3$	—	$0.3 \times V_{DD}$	V	
	@ $V_{DD} = 5.0\text{ V}$	$V_{SS} - 0.3$	—	$0.35 \times V_{DD}$	V	
$V_{hys}$	Input Buffer Hysteresis	$0.06 \times V_{DD}$	—	—	V	
loh_5	Normal drive I/O current source capability measured when pad = $(V_{DD} - 0.8\text{ V})$ @ $V_{DD} = 3.3\text{ V}$	2.8	—	—	mA	
	@ $V_{DD} = 5.0\text{ V}$	4.8	—	—	mA	
lol_5	Normal drive I/O current sink capability measured when pad = $0.8\text{ V}$ @ $V_{DD} = 3.3\text{ V}$	2.4	—	—	mA	
	@ $V_{DD} = 5.0\text{ V}$	4.4	—	—	mA	
loh_20	High drive I/O current source capability measured when pad = $(V_{DD} - 0.8\text{ V})$ . <sup>2</sup> @ $V_{DD} = 3.3\text{ V}$	10.8	—	—	mA	
	@ $V_{DD} = 5.0\text{ V}$	18.5	—	—	mA <sup>3</sup>	

Table continues on the next page...

Table 25. DC electrical specifications (continued)

Symbol	Parameter	Value			Unit	Notes
		Min	Typ	Max		
I <sub>ol_20</sub>	High drive I/O current sink capability measured when pad = 0.8 V <sup>4</sup> @ V <sub>DD</sub> = 3.3 V	10.1	—	—	mA	
	@ V <sub>DD</sub> = 5.0 V	18.5	—	—	mA <sup>3</sup>	
I <sub>leak</sub>	Hi-Z (Off state) leakage current (per pin)	—	—	300	nA	5, 6
V <sub>OH</sub>	Output high voltage					7
	Normal drive pad (2.7 V ≤ V <sub>DD</sub> ≤ 4.0 V, I <sub>OH</sub> = -2.8 mA)	V <sub>DD</sub> - 0.8	—	—	V	
	Normal drive pad (4.0 V ≤ V <sub>DD</sub> ≤ 5.5 V, I <sub>OH</sub> = -4.8 mA)	V <sub>DD</sub> - 0.8	—	—	V	
	High drive pad (2.7 V ≤ V <sub>DD</sub> ≤ 4.0 V, I <sub>OH</sub> = -10.8 mA)	V <sub>DD</sub> - 0.8	—	—	V	
	High drive pad (4.0 V ≤ V <sub>DD</sub> ≤ 5.5 V, I <sub>OH</sub> = -18.5 mA)	V <sub>DD</sub> - 0.8	—	—	V	
I <sub>OHT</sub>	Output high current total for all ports	—	—	100	mA	
V <sub>OL</sub>	Output low voltage					7
	Normal drive pad (2.7 V ≤ V <sub>DD</sub> ≤ 4.0 V, I <sub>OH</sub> = -2.8 mA)	—	—	0.8	V	
	Normal drive pad (4.0 V ≤ V <sub>DD</sub> ≤ 5.5 V, I <sub>OH</sub> = -4.8 mA)	—	—	0.8	V	
	High drive pad (2.7 V ≤ V <sub>DD</sub> ≤ 4.0 V, I <sub>OH</sub> = -10.8 mA)	—	—	0.8	V	
	High drive pad (4.0 V ≤ V <sub>DD</sub> ≤ 5.5 V, I <sub>OH</sub> = -18.5 mA)	—	—	0.8	V	
I <sub>OLT</sub>	Output low current total for all ports	—	—	100	mA	
I <sub>IN</sub>	Input leakage current (per pin) for full temperature range @ V <sub>DD</sub> = 3.3 V					8, 7
	All pins other than high drive port pins	—	0.002	0.5	μA	
	High drive port pins	—	0.004	0.5	μA	
	Input leakage current (per pin) for full temperature range @ V <sub>DD</sub> = 5.5 V					
	All pins other than high drive port pins	—	0.005	0.5	μA	
	High drive port pins	—	0.010	0.5	μA	
R <sub>PU</sub>	Internal pull-up resistors @ V <sub>DD</sub> = 3.3 V	20	—	65	kΩ	9
	@ V <sub>DD</sub> = 5.0 V	20	—	50	kΩ	
R <sub>PD</sub>	Internal pull-down resistors @ V <sub>DD</sub> = 3.3 V	20	—	65	kΩ	10
	@ V <sub>DD</sub> = 5.0 V	20	—	50	kΩ	

## Electrical characteristics

1. Max power supply ramp rate is 500 V/ms.
2. The value given is measured at high drive strength mode. For value at low drive strength mode see the loh\_5 value given above.
3. The 20 mA I/O pin is capable of switching a 50 pF load at up to 40 MHz.
4. The value given is measured at high drive strength mode. For value at low drive strength mode see the lol\_5 value given above.
5. Refers to the current that leaks into the core when the pad is in Hi-Z (Off state).
6. Maximum pin leakage current at the ambient temperature upper limit.
7. PTD0, PTD1, PTB4, PTB5, PTE0 and PTE1 I/O have both high drive and normal drive capability selected by the associated Portx\_PCRn[DSE] control bit. All other GPIOs are normal drive only.
8. Refers to the pin leakage on the GPIOs when they are OFF.
9. Measured at  $V_{DD}$  supply voltage =  $V_{DD}$  min and input  $V = V_{SS}$
10. Measured at  $V_{DD}$  supply voltage =  $V_{DD}$  min and input  $V = V_{DD}$

### 5.3.1.3 Voltage regulator electrical characteristics

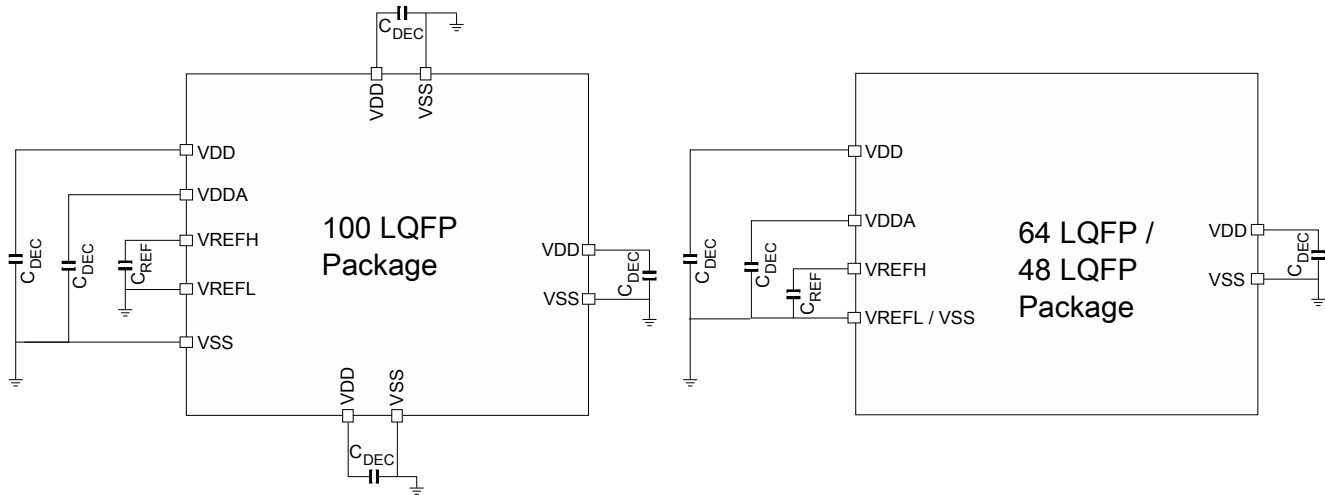


Figure 14. Pinout decoupling

Table 26. Voltage regulator electrical characteristics

Symbol	Description	Min.	Typ.	Max.	Unit
$C_{REF}^{1,2}$	ADC reference high decoupling capacitance	—	100	—	nF
$C_{DEC}^{2,3}$	Recommended decoupling capacitance	—	100	—	nF

1. For improved ADC performance it is recommended to use 1 nF X7R/C0G and 10 nF X7R ceramics in parallel.
2. The capacitors should be placed as close as possible to the VREFH/VREFL pins or corresponding  $V_{DD}/V_{SS}$  pins.
3. The requirement and value of  $C_{DEC}$  will be decided by the device application requirement.

### 5.3.1.4 LVR, LVD and POR operating requirements

Table 27.  $V_{DD}$  supply LVR, LVD and POR operating requirements

Symbol	Description	Min.	Typ.	Max.	Unit	Notes
$V_{POR}$	Rising and Falling $V_{DD}$ POR detect voltage	1.1	1.6	2.0	V	

Table continues on the next page...

**Table 27. V<sub>DD</sub> supply LVR, LVD and POR operating requirements (continued)**

Symbol	Description	Min.	Typ.	Max.	Unit	Notes
V <sub>LVRX</sub>	LVRX falling threshold (RUN and STOP modes)	2.53	2.58	2.64	V	
V <sub>LVRX_HYST</sub>	LVRX hysteresis	—	45	—	mV	1
V <sub>LVRX_LP</sub>	LVRX falling threshold (VLPS/VLPR modes)	1.97	2.12	2.44	V	
V <sub>LVRX_LP_HYST</sub>	LVRX hysteresis (VLPS/VLPR modes)	—	40	—	mV	
V <sub>LVD</sub>	Falling low-voltage detect threshold	2.8	2.88	3	V	
V <sub>LVD_HYST</sub>	LVD hysteresis	—	50	—	mV	1
V <sub>LVW</sub>	Falling low-voltage warning threshold	4.19	4.31	4.5	V	
V <sub>LVW_HYST</sub>	LVW hysteresis		68		mV	1
V <sub>BG</sub>	Bandgap voltage reference	0.97	1.00	1.03	V	

1. Rising threshold is the sum of falling threshold and hysteresis voltage.

### 5.3.1.5 Power mode transition operating behaviors

**Table 28. Power mode transition operating behaviors**

Description	System Clock	Core, Bus, Flash frequency (MHz)	Min.	Typ. (μs) <sup>1</sup>	Max. (μs) <sup>2</sup>
STOP→RUN	FIRC	48, 24, 24	—	7.58	11.9
STOP→RUN	FLL	72, 24, 24	—	8.01	13.2
VLPS→RUN	FIRC	48, 24, 24	—	7.58	11.9
VLPS→RUN	FLL	72, 24, 24	—	10	16.9
RUN→VLPR	FLL→SIRC	72, 24, 24→4, 1, 1	—	14.1	14.9
VLPR→RUN	SIRC→FIRC	4, 1, 1→48, 24, 24	—	25	37.3
VLPR→RUN	SIRC→FLL	4, 1, 1→72, 24, 24	—	27	35.2
WAIT→RUN	FIRC	48, 24, 24	—	0.624	0.704
WAIT→RUN	FLL	72, 24, 24	—	0.472	0.579
VLPW→VLPR	SIRC	4, 1, 1	—	20.7	27.8
VLPS→VLPR	SIRC	4, 1, 1	—	19.3	23.8
VLPW→RUN	FIRC (reset value)	48, 24, 24 (reset value)	—	102	115
t <sub>POR</sub> <sup>3</sup>	FIRC (reset value)	48, 24, 24 (reset value)	—	82	106

1. Typical value is the average of values tested at Temperature=25 °C and V<sub>DD</sub>=3.3 V.

2. Max value is mean+6×sigma of tested values at the worst case of ambient temperature range and V<sub>DD</sub> 2.7 V to 5.5 V.

3. After a POR event, the amount of time from the point V<sub>DD</sub> reaches the reference voltage 2.7 V to execution of the first instruction, across the operating temperature range of the chip.

### 5.3.1.6 Power consumption

The following table shows the power consumption targets for the device in various modes of operations.

#### NOTE

The maximum values stated in the following table represent characterized results equivalent to the mean plus three times the standard deviation (mean + 3 sigma).

**Table 29. Power consumption operating behaviors**

Mode	Symbol	Clock Configuration	Description	Temperature	Min	Typ	Max <sup>1</sup>	Unit
RUN	I <sub>DD_RUN</sub>	LPFLL	Running CoreMark in Flash in <b>Compute Operation</b> mode. Core@72MHz, bus @24MHz, flash @24MHz, VDD=5V	25 °C	—	9.75	10.01	mA
				105 °C	—	10.09	10.35	
		LPFLL	Running CoreMark in Flash all peripheral clock disabled. Core@72MHz, bus @24MHz, flash @24MHz, VDD=5V	25 °C	—	10.65	10.94	
				105 °C	—	11.01	11.30	
		LPFLL	Running CoreMark in Flash, all peripheral clock enabled. Core@72MHz, bus@24MHz, flash @24MHz, VDD=5V	25 °C	—	13.25	13.61	
				105 °C	—	13.65	14.00	
		LPFLL	Running While(1) loop in Flash, all peripheral clock disabled. Core@72MHz, bus@24MHz, flash @24MHz, VDD=5V	25 °C	—	7.79	8.00	
				105 °C	—	8.14	8.35	
		LPFLL	Running While(1) loop in Flash all peripheral clock enabled. Core@72MHz, bus@24MHz, flash @24MHz, VDD=5V	25 °C	—	10.43	10.71	
				105 °C	—	10.82	11.10	
		IRC48M	Running CoreMark in Flash in <b>Compute Operation</b> mode. Core@48MHz, bus @24MHz, flash @24MHz, VDD=5V	25 °C	—	7.52	7.71	
				105 °C	—	7.81	8.00	
		IRC48M	Running CoreMark in Flash all peripheral clock disabled. Core@48MHz, bus @24MHz, flash @24MHz, VDD=5V	25 °C	—	8.33	8.54	
				105 °C	—	8.62	8.83	
IRC48M	Running CoreMark in Flash, all peripheral clock enabled. Core@48MHz, bus@24MHz, flash @24MHz, VDD=5V	25 °C	—	10.25	10.50			
		105 °C	—	10.55	10.81			

Table continues on the next page...

Table 29. Power consumption operating behaviors (continued)

Mode	Symbol	Clock Configuration	Description	Temperature	Min	Typ	Max <sup>1</sup>	Unit
		IRC48M	Running While(1) loop in Flash, all peripheral clock disabled. Core@48MHz, bus@24MHz, flash @24MHz, VDD=5V	25 °C	—	6.37	6.53	
				105 °C	—	6.67	6.83	
VLPR	I <sub>DD_VLPR</sub>	IRC8M	Very Low Power Run Core Mark in Flash in <b>Compute Operation</b> mode. Core@4MHz, bus @1MHz, flash @1MHz, VDD=5V	25 °C	—	1074	1135	μA
		IRC8M	Very Low Power Run Core Mark in Flash all peripheral clock disabled. Core@4MHz, bus @1MHz, flash @1MHz, VDD=5V	25 °C	—	1113	1176	
		IRC8M	Very Low Power Run Core Mark in Flash all peripheral clock enabled. Core@4MHz, bus @1MHz, flash @1MHz, VDD=5V	25 °C	—	1246	1317	
		IRC8M	Very Low Power Run While(1) loop in Flash all peripheral clock disabled. Core@4MHz, bus @1MHz, flash @1MHz, VDD=5V	25 °C	—	700	740	
		IRC8M	Very Low Power Run While(1) loop in Flash all peripheral clock enabled. Core@4MHz, bus @1MHz, flash @1MHz, VDD=5V	25 °C	—	832	879	
		IRC2M	Very Low Power Run While(1) loop in Flash all peripheral clock disabled. Core@2MHz, bus @1MHz, flash @1MHz, VDD=5V	25 °C	—	575	608	
		IRC2M	Very Low Power Run While(1) loop in Flash all peripheral clock enabled. Core@2MHz, bus @1MHz, flash @1MHz, VDD=5V	25 °C	—	651	688	
WAIT	I <sub>DD_WAIT</sub>	LPFLL	core disabled, system@72MHz, bus @24MHz, flash disabled ( <b>flash doze enabled</b> ), VDD=5 V, all peripheral clocks disabled	25 °C	—	5.67	5.81	mA
		IRC48M	core disabled, system@48 MHz, bus @24MHz, flash disabled ( <b>flash doze enabled</b> ), VDD=5 V, all peripheral clocks disabled	25 °C	—	4.67	4.79	
VLPW	I <sub>DD_VLPW</sub>	IRC8M	Very Low Power Wait current, core disabled system@4MHz, bus and	25 °C	—	635	676	μA

Table continues on the next page...

**Table 29. Power consumption operating behaviors (continued)**

Mode	Symbol	Clock Configuration	Description	Temperature	Min	Typ	Max <sup>1</sup>	Unit
			flash@1MHz, all peripheral clocks disabled, VDD=5V					
		IRC2M	Very Low Power Wait current, core disabled system@2MHz, bus and flash@1MHz, all peripheral clocks disabled, VDD=5V	25 °C	—	542	577	
STOP	I <sub>DD_STOP</sub>	-	Stop mode current, VDD=5V, bias enabled <sup>2</sup> , clock bias enabled <sup>3</sup>	25 °C and below	—	20	26	µA
				50 °C	—	26	35	
				85 °C	—	61	81	
				105 °C	—	117	156	
STOP	I <sub>DD_STOP</sub>	-	Stop mode current, VDD=5V, bias enabled <sup>2</sup> , clock bias disabled <sup>3</sup>	25 °C and below	—	17	24	µA
				50 °C	—	23	31	
				85 °C	—	58	78	
				105 °C	—	114	153	
VLPS	I <sub>DD_VLPS</sub>	-	Very Low Power Stop current, VDD=5V, bias enabled <sup>2</sup> , clock bias enabled <sup>3</sup>	25 °C and below	—	20	27	µA
				50 °C	—	26	35	
				85 °C	—	61	81	
				105 °C	—	117	156	
VLPS	I <sub>DD_VLPS</sub>	-	Very Low Power Stop current, VDD=5V, bias enabled <sup>2</sup> , clock bias disabled <sup>3</sup>	25 °C and below	—	17	23	µA
				50 °C	—	23	31	
				85 °C	—	58	77	
				105 °C	—	114	152	

1. These values are based on characterization but not covered by test limits in production.
2. PMC\_REGSC[BIASDIS] is the control bit to enable or disable bias under STOP/VLPS mode.
3. PMC\_REGSC[CLKBIASDIS] is the control bit to enable or disable bias under STOP/VLPS mode.

**NOTE**

CoreMark benchmark compiled using IAR 9.10 with optimization level high, optimized for balanced.

**5.3.1.6.1 Low power mode peripheral current adder — typical value**

Symbol	Description	Typical
I <sub>LPTMR</sub>	LPTMR peripheral adder measured by placing the device in VLPS mode with LPTMR enabled using LPO. Includes LPO power consumption.	366 nA

Table continues on the next page...



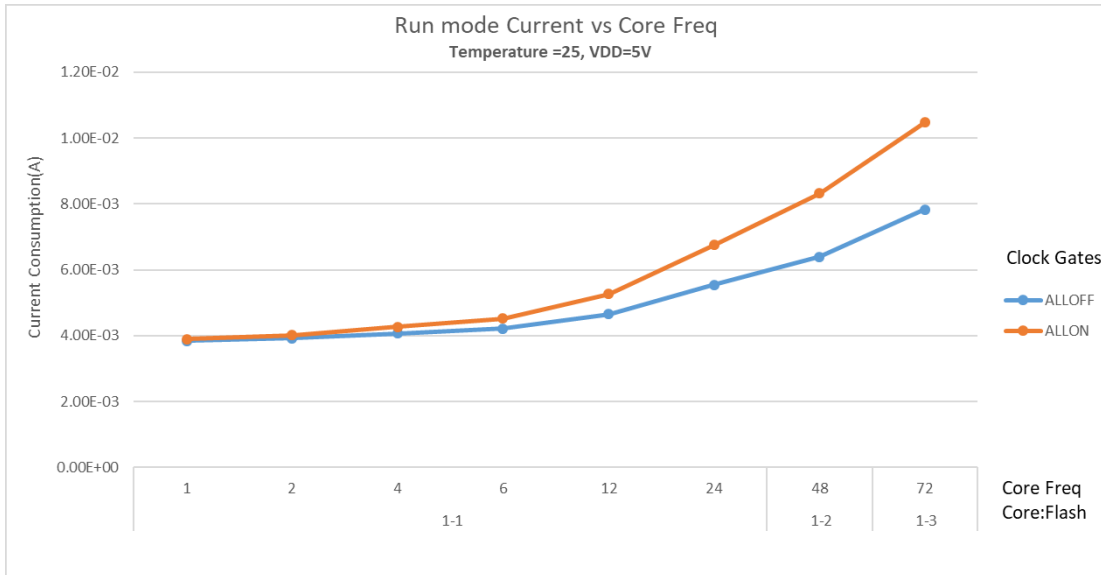
Symbol	Description	Typical
I <sub>CMP</sub>	CMP peripheral adder measured by placing the device in VLPS mode with CMP enabled using the 8-bit DAC and a single external input for compare. 8-bit DAC enabled with half VDDA voltage, low speed mode. Includes 8-bit DAC power consumption.	16 $\mu$ A
I <sub>LPUART</sub>	LPUART peripheral adder measured by placing the device in VLPS mode with selected clock source waiting for RX data at 115200 baud rate. Includes selected clock source power consumption. (SIRC 8 MHz)	79 $\mu$ A
I <sub>FTM</sub>	FTM peripheral adder measured by placing the device in VLPW mode with selected clock source, outputting the edge aligned PWM of 100 Hz frequency.	45 $\mu$ A
I <sub>ADC</sub>	ADC peripheral adder combining the measured values at VDD and VDDA by placing the device in VLPS mode. ADC is configured for low power mode using SIRC clock source, 8-bit resolution and continuous conversions.	484 $\mu$ A
I <sub>LPI2C</sub>	LPI2C peripheral adder measured by placing the device in VLPS mode with selected clock source sending START and Slave address, waiting for RX data. Includes the DMA power consumption.	179 $\mu$ A
I <sub>LPIT</sub>	LPIT peripheral adder measured by placing the device in VLPS mode with internal SIRC 8 MHz enabled in Stop mode. Includes selected clock source power consumption.	18 $\mu$ A
I <sub>LPSPi</sub>	LPSPi peripheral adder measured by placing the device in VLPS mode with selected clock source, output data on SOUT pin with SCK 500 kbit/s. Includes the DMA power consumption.	565 $\mu$ A
I <sub>TSI</sub>	TSI self-cap mode: TSI peripheral adder measured by placing the device in RUN mode, continuous TSI self-cap mode scan with 11.6 kHz switching clock.	784 $\mu$ A
	TSI mutual-cap mode: TSI peripheral adder measured by placing the device in RUN mode, continuous TSI mutual-cap mode scan with 37.22 kHz switching clock.	899 $\mu$ A

### 5.3.1.6.2 Diagram: Typical IDD\_RUN operating behavior

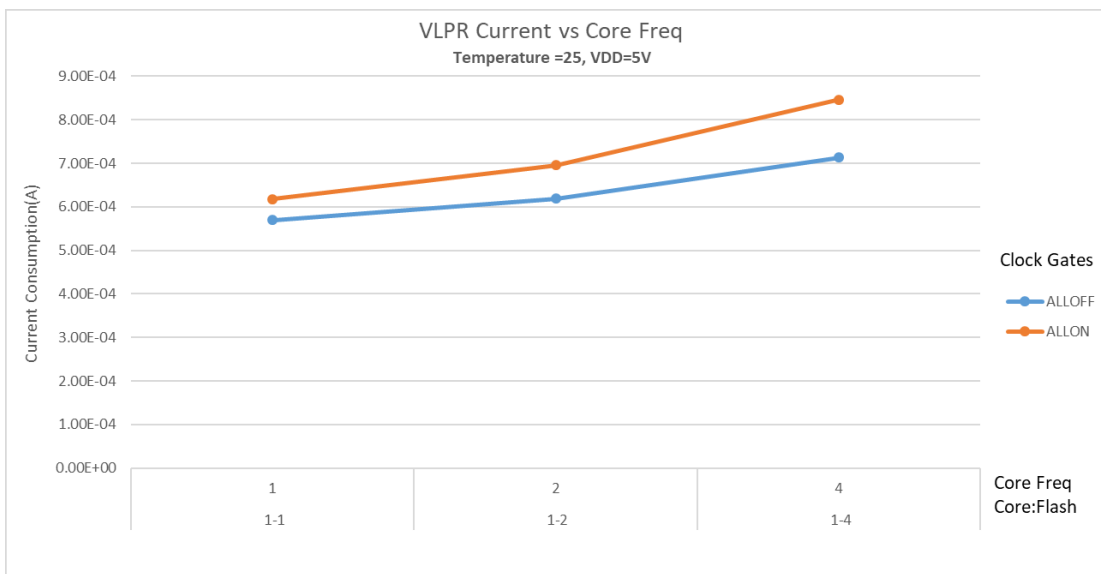
The following data was measured under these conditions:

- SCG in SOSC for both Run and VLPR modes
- No GPIOs toggled
- Code execution from flash with cache enabled
- For the ALLOFF curve, all peripheral clocks are disabled except FTFA

## Electrical characteristics



**Figure 15. Run mode supply current vs. core frequency**



**Figure 16. VLPR mode supply current vs. core frequency**

### 5.3.1.7 EMC performance

Electromagnetic compatibility (EMC) performance is highly dependent on the environment in which the MCU resides. Board design and layout, circuit topology choices, location and characteristics of external components, and MCU software operation play a significant role in the EMC performance. The system designer can consult the following applications notes, available on <http://www.nxp.com> for advice and guidance specifically targeted at optimizing EMC performance.

- AN2321: Designing for Board Level Electromagnetic Compatibility

- AN1050: Designing for Electromagnetic Compatibility (EMC) with HCMOS Microcontrollers
- AN1263: Designing for Electromagnetic Compatibility with Single-Chip Microcontrollers
- AN2764: Improving the Transient Immunity Performance of Microcontroller-Based Applications
- AN1259: System Design and Layout Techniques for Noise Reduction in MCU-Based Systems

### 5.3.1.7.1 EMC radiated emissions operating behaviors

EMC measurements to IC-level IEC standards are available from NXP on request.

### 5.3.1.7.2 Designing with radiated emissions in mind

To find application notes that provide guidance on designing your system to minimize interference from radiated emissions.

1. Go to <http://www.nxp.com>.
2. Perform a keyword search for “EMC design”.
3. Select the "Documents" category and find the application notes.

### 5.3.1.8 Capacitance attributes

**Table 30. Capacitance attributes**

Symbol	Description	Min.	Max.	Unit
$C_{IN\_A}$	Input capacitance: analog pins	—	7	pF
$C_{IN\_D}$	Input capacitance: digital pins	—	7	pF

#### NOTE

Please refer to [External Oscillator electrical specifications](#) for EXTAL/XTAL pins.

## 5.3.2 Switching specifications

### 5.3.2.1 Device clock specifications

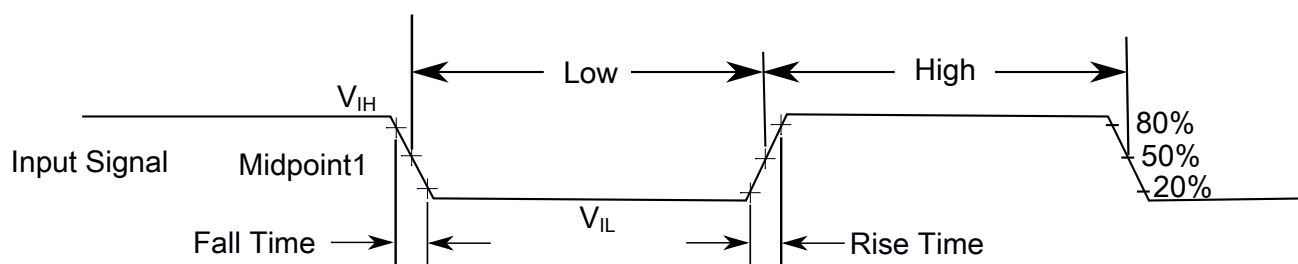
**Table 31. Device clock specifications**

Symbol	Description	Min.	Max.	Unit	Notes
Normal run mode					
f <sub>SYS</sub>	System and core clock	—	72	MHz	
f <sub>BUS</sub>	Bus clock	—	24	MHz	
f <sub>FLASH</sub>	Flash clock	—	25	MHz	
f <sub>LPTMR</sub>	LPTMR clock	—	48	MHz	
VLPR / VLPW mode <sup>1</sup>					
f <sub>SYS</sub>	System and core clock	—	4	MHz	
f <sub>BUS</sub>	Bus clock	—	1	MHz	
f <sub>FLASH</sub>	Flash clock	—	1	MHz	
f <sub>ERCLK</sub>	External reference clock	—	16	MHz	
f <sub>LPTMR</sub>	LPTMR clock	—	13	MHz	

1. The frequency limitations in VLPR / VLPW mode here override any frequency specification listed in the timing specification for any other module.

### 5.3.2.2 AC electrical characteristics

Unless otherwise specified, propagation delays are measured from the 50% to the 50% point, and rise and fall times are measured at the 20% and 80% points, as shown in the following figure.



The midpoint is  $V_{IL} + (V_{IH} - V_{IL}) / 2$

**Figure 17. Input signal measurement reference**

All digital I/O switching characteristics, unless otherwise specified, assume that the output pins have the following characteristics.

- C<sub>L</sub>=30 pF loads
- Normal drive strength

### 5.3.2.3 General AC specifications

These general purpose specifications apply to all signals configured for GPIO, UART, and timers.

**Table 32. General switching specifications**

Symbol	Description	Min.	Max.	Unit	Notes
	GPIO pin interrupt pulse width (digital glitch filter disabled) — Synchronous path	1.5	—	Bus clock cycles	1, 2
	External RESET and NMI pin interrupt pulse width — Asynchronous path	100	—	ns	3
	GPIO pin interrupt pulse width (digital glitch filter disabled, passive filter disabled) — Asynchronous path	50	—	ns	4

1. This is the minimum pulse width that is guaranteed to pass through the pin synchronization circuitry. Shorter pulses may or may not be recognized. In Stop and VLPS modes, the synchronizer is bypassed so shorter pulses can be recognized in that case.
2. The greater of synchronous and asynchronous timing must be met.
3. These pins have a passive filter enabled on the inputs. This is the shortest pulse width that is guaranteed to be recognized.
4. These pins do not have a passive filter on the inputs. This is the shortest pulse width that is guaranteed to be recognized.

### 5.3.2.4 AC specifications at 3.3 V range

**Table 33. Functional pad AC specifications**

Characteristic	Symbol	Min	Typ	Max	Unit
I/O Supply Voltage	Vdd <sup>1</sup>	2.7		4	V

1. Max power supply ramp rate is 500 V/ms.

Name	Prop Delay (ns) <sup>1</sup>	Rise/Fall Edge (ns) <sup>2</sup>		Drive Load (pF)
	Max	Min	Max	
Normal drive I/O pad	17.5	5	17	25
	28	9	32	50
High drive I/O pad	19	5	17	25
	26	9	33	50
CMOS Input <sup>3</sup>	4	1.2	3	0.5

1. Propagation delay measured from 50% of core side input to 50% of the output.
2. Edges measured using 20% and 80% of the VDD supply.
3. Input slope = 2 ns.

#### NOTE

All measurements were taken accounting for 150 mV drop across VDD and VSS.

### 5.3.2.5 AC specifications at 5 V range

Table 34. Functional pad AC specifications

Characteristic	Symbol	Min	Typ	Max	Unit
I/O Supply Voltage	Vdd <sup>1</sup>	4		5.5	V

1. Max power supply ramp rate is 500 V/ms.

Name	Prop Delay (ns) <sup>1</sup>	Rise/Fall Edge (ns) <sup>2</sup>		Drive Load (pF)
	Max	Min	Max	
Normal drive I/O pad	12	3.6	10	25
	18	8	17	50
High drive I/O pad	13	3.6	10	25
	19	8	19	50
CMOS Input <sup>3</sup>	3	1.2	2.8	0.5

- As measured from 50% of core side input to 50% of the output.
- Edges measured using 20% and 80% of the VDD supply.
- Input slope = 2 ns.

#### NOTE

All measurements were taken accounting for 150 mV drop across VDD and VSS.

### 5.3.3 Thermal specifications

#### 5.3.3.1 Thermal operating requirements

Table 35. Thermal operating requirements

Symbol	Description	Min.	Max.	Unit	Notes
T <sub>J</sub>	Die junction temperature	-40	125	°C	
T <sub>A</sub>	Ambient temperature	-40	105	°C	1

1. Maximum T<sub>A</sub> can be exceeded only if the user ensures that T<sub>J</sub> does not exceed maximum T<sub>J</sub>. The simplest method to determine T<sub>J</sub> is:  $T_J = T_A + R_{\Theta JA} \times \text{chip power dissipation}$ .

#### 5.3.3.2 Thermal attributes

### 5.3.3.2.1 Description

The tables in the following sections describe the thermal characteristics of the device.

#### NOTE

Junction temperature is a function of die size, on-chip power dissipation, package thermal resistance, mounting side (board) temperature, ambient temperature, air flow, power dissipation or other components on the board, and board thermal resistance.

### 5.3.3.2.2 Thermal characteristics for the 100-pin LQFP package

**Table 36. Thermal characteristics for the 100-pin LQFP package**

Rating	Board Type <sup>1</sup>	Symbol	Value	Unit
Junction to Ambient Thermal Resistance <sup>2</sup>	JESD51-7, 2s2p	$R_{\theta JA}$	47	°C/W
Junction-to-Top of Package Thermal Characterization Parameter <sup>2</sup>	JESD51-7, 2s2p	$\Psi_{JT}$	0.6	°C/W

1. Thermal test board meets JEDEC specification for this package (JESD51-7).
2. Determined in accordance to JEDEC JESD51-2A natural convection environment. Thermal resistance data in this report is solely for a thermal performance comparison of one package to another in a standardized specified environment. It is not meant to predict the performance of a package in an application-specific environment.

### 5.3.3.2.3 Thermal characteristics for the 64-pin LQFP package

**Table 37. Thermal characteristics for the 64-pin LQFP package**

Rating	Board Type <sup>1</sup>	Symbol	Value	Unit
Junction to Ambient Thermal Resistance <sup>2</sup>	JESD51-7, 2s2p	$R_{\theta JA}$	52	°C/W
Junction-to-Top of Package Thermal Characterization Parameter <sup>2</sup>	JESD51-7, 2s2p	$\Psi_{JT}$	3	°C/W
Junction to Case Thermal Resistance <sup>3</sup>	JESD51-7, 1s	$R_{\theta JC}$	20	°C/W

1. Thermal test board meets JEDEC specification for this package (JESD51-7).
2. Determined in accordance to JEDEC JESD51-2A natural convection environment. Thermal resistance data in this report is solely for a thermal performance comparison of one package to another in a standardized specified environment. It is not meant to predict the performance of a package in an application-specific environment.
3. Junction-to-Case thermal resistance determined using an isothermal cold plate. Case temperature refers to the mold surface temperature at the package top side dead centre.

### 5.3.3.2.4 Thermal characteristics for the 48-pin LQFP package

**Table 38. Thermal characteristics for the 48-pin LQFP package**

Rating	Board Type <sup>1</sup>	Symbol	Value	Unit
Junction to Ambient Thermal Resistance <sup>2</sup>	JESD51-7, 2s2p	$R_{\theta JA}$	56	°C/W
Junction-to-Top of Package Thermal Characterization Parameter <sup>2</sup>	JESD51-7, 2s2p	$\Psi_{JT}$	3	°C/W
Junction to Case Thermal Resistance <sup>3</sup>	JESD51-7, 1s	$R_{\theta JC}$	23	°C/W

1. Thermal test board meets JEDEC specification for this package (JESD51-7).
2. Determined in accordance to JEDEC JESD51-2A natural convection environment. Thermal resistance data in this report is solely for a thermal performance comparison of one package to another in a standardized specified environment. It is not meant to predict the performance of a package in an application-specific environment.
3. Junction-to-Case thermal resistance determined using an isothermal cold plate. Case temperature refers to the mold surface temperature at the package top side dead centre.

### 5.3.3.2.5 General notes for specifications at maximum junction temperature

An estimation of the chip junction temperature,  $T_J$ , can be obtained from this equation:

$$T_J = T_A + (R_{\theta JA} \times P_D)$$

where:

- $T_A$  = ambient temperature for the package (°C)
- $R_{\theta JA}$  = junction to ambient thermal resistance (°C/W)
- $P_D$  = power dissipation in the package (W)

The junction to ambient thermal resistance is an industry standard value that provides a quick and easy estimation of thermal performance. Unfortunately, there are two values in common usage: the value determined on a single layer board and the value obtained on a board with two planes. For packages such as the PBGA, these values can be different by a factor of two. Which value is closer to the application depends on the power dissipated by other components on the board. The value obtained on a single layer board is appropriate for the tightly packed printed circuit board. The value obtained on the board with the internal planes is usually appropriate if the board has low power dissipation and the components are well separated.

When a heat sink is used, the thermal resistance is expressed in the following equation as the sum of a junction-to-case thermal resistance and a case-to-ambient thermal resistance:

$$R_{\theta JA} = R_{\theta JC} + R_{\theta CA}$$



where:

- $R_{\theta JA}$  = junction to ambient thermal resistance ( $^{\circ}\text{C}/\text{W}$ )
- $R_{\theta JC}$  = junction to case thermal resistance ( $^{\circ}\text{C}/\text{W}$ )
- $R_{\theta CA}$  = case to ambient thermal resistance ( $^{\circ}\text{C}/\text{W}$ )

$R_{\theta JC}$  is device related and cannot be influenced by the user. The user controls the thermal environment to change the case to ambient thermal resistance,  $R_{\theta CA}$ . For instance, the user can change the size of the heat sink, the air flow around the device, the interface material, the mounting arrangement on printed circuit board, or change the thermal dissipation on the printed circuit board surrounding the device.

To determine the junction temperature of the device in the application when heat sinks are not used, the Thermal Characterization Parameter ( $\Psi_{JT}$ ) can be used to determine the junction temperature with a measurement of the temperature at the top center of the package case using this equation:

$$T_J = T_T + (\Psi_{JT} \times P_D)$$

where:

- $T_T$  = thermocouple temperature on top of the package ( $^{\circ}\text{C}$ )
- $\Psi_{JT}$  = thermal characterization parameter ( $^{\circ}\text{C}/\text{W}$ )
- $P_D$  = power dissipation in the package (W)

The thermal characterization parameter is measured per JESD51-2 specification using a 40 gauge type T thermocouple epoxied to the top center of the package case. The thermocouple should be positioned so that the thermocouple junction rests on the package. A small amount of epoxy is placed over the thermocouple junction and over about 1 mm of wire extending from the junction. The thermocouple wire is placed flat against the package case to avoid measurement errors caused by cooling effects of the thermocouple wire.

## 5.4 Peripheral operating requirements and behaviors

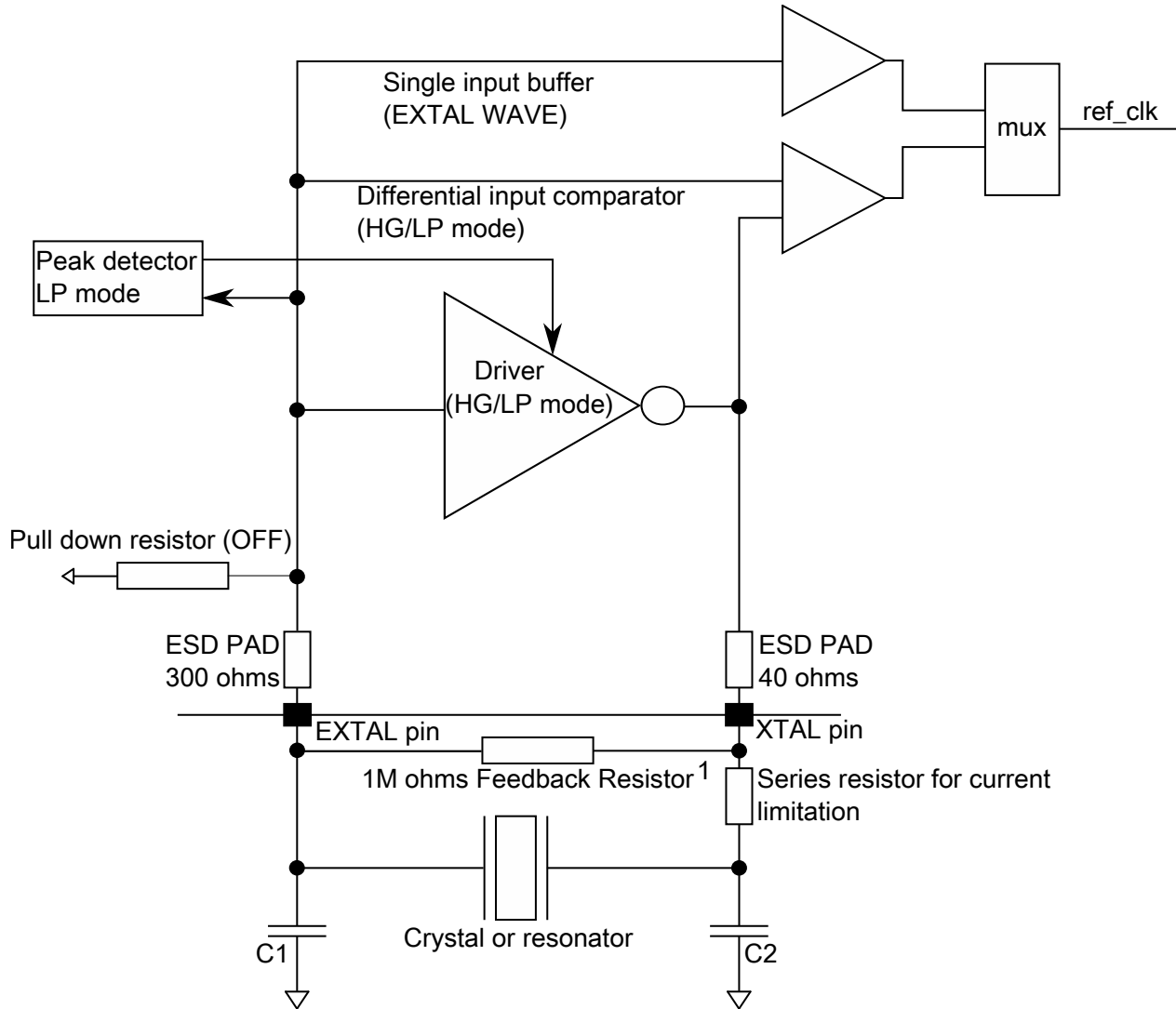
### 5.4.1 System modules

There are no specifications necessary for the device's system modules.

### 5.4.2 Clock interface modules

### 5.4.2.1 Oscillator electrical specifications

#### 5.4.2.1.1 External Oscillator electrical specifications



NOTE:

1. 1M Feedback resistor is needed only for HG mode.

**Figure 18. Oscillator connections scheme (OSC)**

#### NOTE

Data values in the following "External Oscillator electrical specifications" tables are from simulation.

**Table 39. External Oscillator electrical specifications (OSC)**

Symbol	Description	Min.	Typ.	Max.	Unit	Notes
$V_{DD}$	Supply voltage	2.7	—	5.5	V	
$I_{DDOSC}$	Supply current — low-gain mode (low-power mode) (HGO=0)					1
	4 MHz	—	200	—	$\mu$ A	
	8 MHz	—	300	—	$\mu$ A	
	16 MHz	—	1.2	—	mA	
	24 MHz	—	1.6	—	mA	
	32 MHz	—	2	—	mA	
	40 MHz	—	2.6	—	mA	
$I_{DDOSC}$	Supply current — high-gain mode (HGO=1)					1
	32 kHz	—	25	—	$\mu$ A	
	4 MHz	—	1	—	mA	
	8 MHz	—	1.2	—	mA	
	16 MHz	—	3.5	—	mA	
	24 MHz	—	5	—	mA	
	32 MHz	—	5.5	—	mA	
	40 MHz	—	6	—	mA	
$g_{mXOSC}$	Fast external crystal oscillator transconductance					
	32 kHz, Low Frequency Range, High Gain (32 kHz)	15	—	45	$\mu$ A / V	
	Medium Frequency Range (4-8 MHz)	2.2	—	9.7	mA / V	
	High Frequency Range (8-40 MHz)	16	—	37	mA / V	
$V_{IH}$	Input high voltage — EXTAL pin in external clock mode	1.75	—	$V_{DD}$	V	
$V_{IL}$	Input low voltage — EXTAL pin in external clock mode	$V_{SS}$	—	1.20	V	
$C_1$	EXTAL load capacitance	—	—	—		2
$C_2$	XTAL load capacitance	—	—	—		2
$R_F$	Feedback resistor					3
	Low-frequency, high-gain mode (32 kHz)	—	10	—	M $\Omega$	
	Medium/high-frequency, low-gain mode (low-power mode) (4-8 MHz, 8-40 MHz)	—	—	—	M $\Omega$	
	Medium/high-frequency, high-gain mode (4-8 MHz, 8-40 MHz)	—	1	—	M $\Omega$	
$R_S$	Series resistor					
	Low-frequency, high-gain mode (32 kHz)	—	200	—	k $\Omega$	
	Medium/high-frequency, low-gain mode (low-power mode) (4-8 MHz, 8-40 MHz)	—	0	—	k $\Omega$	
	Medium/high-frequency, high-gain mode (4-8 MHz, 8-40 MHz)	—	0	—	k $\Omega$	
$V_{pp}$	Peak-to-peak amplitude of oscillation (oscillator mode)					4
	Low-frequency, high-gain mode	—	3.3	—	V	

Table continues on the next page...

## Electrical characteristics

**Table 39. External Oscillator electrical specifications (OSC) (continued)**

Symbol	Description	Min.	Typ.	Max.	Unit	Notes
	Medium/high-frequency, low-gain mode	—	1.0	—	V	
	Medium/high-frequency, high-gain mode	—	3.3	—	V	

1. Measured at  $V_{DD} = 5\text{ V}$ , Temperature = 25 °C. The current consumption is according to the crystal or resonator, loading capacitance.
2. C1 and C2 must be provided by external capacitors and their load capacitance depends on the crystal or resonator manufacturers' recommendation. Please check the crystal datasheet for the recommended values. And also consider the parasitic capacitance of package and board.
3. When low power mode is selected,  $R_F$  is integrated and must not be attached externally.
4. The EXTAL and XTAL pins should only be connected to required oscillator components and must not be connected to any other devices.

### 5.4.2.1.2 External Oscillator frequency specifications

**Table 40. External Oscillator frequency specifications (OSC)**

Symbol	Description	Min.	Typ.	Max.	Unit	Notes
$f_{osc\_lo}$	Oscillator crystal or resonator frequency — Low Frequency, High Gain Mode	32	—	40	kHz	
$f_{osc\_me}$	Oscillator crystal or resonator frequency — Medium Frequency	4	—	8	MHz	
$f_{osc\_hi}$	Oscillator crystal or resonator frequency — High Frequency	8	—	40		
$t_{dc\_extal}$	Input clock duty cycle (external clock mode)	40	50	60	%	
$f_{ec\_extal}$	Input clock frequency (external clock mode)	—	—	50	MHz	
$t_{cst}$	Crystal startup time — 32 kHz Low Frequency, High-Gain Mode	—	500	—	ms	1
	Crystal startup time — 8 MHz Medium Frequency, Low-Power Mode	—	1.5	—		
	Crystal startup time — 8 MHz Medium Frequency, High-Gain Mode	—	2.5	—		
	Crystal startup time — 40 MHz High Frequency, Low-Power Mode	—	2	—		
	Crystal startup time — 40 MHz High Frequency, High-Gain Mode	—	2.5	—		

1. The start-up measured after 4096 cycles. Proper PC board layout procedures must be followed to achieve specifications.

### 5.4.2.2 System Clock Generation (SCG) specifications

### 5.4.2.2.1 Fast internal RC Oscillator (FIRC) electrical specifications

Table 41. Fast internal RC Oscillator electrical specifications

Symbol	Parameter	Value			Unit
		Min.	Typ.	Max.	
F <sub>FIRC</sub>	Fast internal reference frequency	—	48	—	MHz
I <sub>VDD</sub>	Supply current	—	400	500	μA
F <sub>Untrimmed</sub>	IRC frequency (untrimmed)	F <sub>FIRC</sub> × (1-0.3)	—	F <sub>FIRC</sub> × (1+0.3)	MHz
ΔF <sub>OL</sub>	Open loop total deviation of IRC frequency over voltage and temperature <sup>1</sup>				
	Regulator enable	—	±0.5	±1	%F <sub>FIRC</sub>
T <sub>Startup</sub>	Startup time		—	3	μs <sup>2</sup>
T <sub>JIT</sub>	Period jitter (RMS)	—	35	150	ps

1. The limit is respected across process, voltage and full temperature range.
2. Startup time is defined as the time between clock enablement and clock availability for system use.

### 5.4.2.2.2 Slow internal RC oscillator (SIRC) electrical specifications

Table 42. Slow internal RC oscillator (SIRC) electrical specifications

Symbol	Parameter	Value			Unit
		Min.	Typ.	Max.	
F <sub>SIRC</sub>	Slow internal reference frequency	—	2 8	—	MHz
I <sub>VDD</sub>	Supply current	—	23	—	μA
F <sub>Untrimmed</sub>	IRC frequency (untrimmed)	—	—	—	MHz
ΔF <sub>OL</sub>	Open loop total deviation of IRC frequency over voltage and temperature <sup>1</sup>				
	Regulator enable	—	—	±3	%F <sub>SIRC</sub>
T <sub>Startup</sub>	Startup time	—	6	—	μs <sup>2</sup>

1. The limit is respected across process, voltage and full temperature range.
2. Startup time is defined as the time between clock enablement and clock availability for system use.

### 5.4.2.2.3 Low Power Oscillator (LPO) electrical specifications

Table 43. Low Power Oscillator (LPO) electrical specifications

Symbol	Parameter	Min.	Typ.	Max.	Unit
F <sub>LPO</sub>	Internal low power oscillator frequency	113	128	139	kHz
I <sub>LPO</sub>	Current consumption	1	3	7	μA
T <sub>startup</sub>	Startup Time	—	—	20	μs

### 5.4.2.2.4 LPFLL electrical specifications

Table 44. LPFLL electrical specifications

Symbol	Parameter	Min.	Typ.	Max.	Unit
$I_{avg}$	Power consumption				$\mu A$
$T_{start}$	Start-up time		3.6		$\mu s$
$\Delta F_{ol}$	Frequency accuracy over temperature and voltage in open loop after process trimmed	-10	—	10	%
$\Delta F_{cl}$	Frequency accuracy in closed loop	-1 <sup>1</sup>	—	1 <sup>1</sup>	%

1.  $\Delta F_{cl}$  is dependent on reference clock accuracy. For example, if locked to crystal oscillator,  $\Delta F_{cl}$  is typically limited by trimming ability of the module itself; if locked to other clock source which has 3% accuracy, then  $\Delta F_{cl}$  can only be  $\pm 3\%$ .

## 5.4.3 Memories and memory interfaces

### 5.4.3.1 Flash memory module (FTFA) electrical specifications

This section describes the electrical characteristics of the flash memory module (FTFA).

#### 5.4.3.1.1 Flash timing specifications — program and erase

The following specifications represent the amount of time the internal charge pumps are active and do not include command overhead.

Table 45. NVM program/erase timing specifications

Symbol	Description	Min.	Typ.	Max.	Unit	Notes
$t_{hvp gm4}$	Longword Program high-voltage time	—	7.5	18	$\mu s$	—
$t_{hversscr}$	Sector Erase high-voltage time	—	13	113	ms	1
$t_{hversall}$	Erase All high-voltage time	—	104	904	ms	1

1. Maximum time based on expectations at cycling end-of-life.

#### 5.4.3.1.2 Flash timing specifications — commands

Table 46. Flash command timing specifications

Symbol	Description	Min.	Typ.	Max.	Unit	Notes
$t_{rd1sec2k}$	Read 1s Section execution time (flash sector)	—	—	60	$\mu s$	1
$t_{pgmchk}$	Program Check execution time	—	—	45	$\mu s$	1
$t_{rdsrc}$	Read Resource execution time	—	—	30	$\mu s$	1

Table continues on the next page...

**Table 46. Flash command timing specifications (continued)**

Symbol	Description	Min.	Typ.	Max.	Unit	Notes
$t_{pgm4}$	Program Longword execution time	—	65	145	$\mu$ s	—
$t_{ersscr}$	Erase Flash Sector execution time	—	14	114	ms	2
$t_{rd1all}$	Read 1s All Blocks execution time	—	—	1.8	ms	1
$t_{rdonce}$	Read Once execution time	—	—	25	$\mu$ s	1
$t_{pgmonce}$	Program Once execution time	—	65	—	$\mu$ s	—
$t_{ersall}$	Erase All Blocks execution time	—	175	1300	ms	2
$t_{vfykey}$	Verify Backdoor Access Key execution time	—	—	30	$\mu$ s	1
$t_{ersallu}$	Erase All Blocks Unsecure execution time	—	175	1300	ms	2

1. Assumes 25 MHz flash clock frequency.
2. Maximum times for erase parameters based on expectations at cycling end-of-life.

### 5.4.3.1.3 Flash high voltage current behaviors

**Table 47. Flash high voltage current behaviors**

Symbol	Description	Min.	Typ.	Max.	Unit
$I_{DD\_PGM}$	Average current adder during high voltage flash programming operation	—	2.5	6.0	mA
$I_{DD\_ERS}$	Average current adder during high voltage flash erase operation	—	1.5	4.0	mA

### 5.4.3.1.4 Reliability specifications

**Table 48. NVM reliability specifications**

Symbol	Description	Min.	Typ. <sup>1</sup>	Max.	Unit	Notes
Program Flash						
$t_{nvmretp10k}$	Data retention after up to 10 K cycles	5	50	—	years	—
$t_{nvmretp1k}$	Data retention after up to 1 K cycles	20	100	—	years	—
$n_{nvmcycp}$	Cycling endurance	10 K	50 K	—	cycles	2

1. Typical data retention values are based on measured response accelerated at high temperature and derated to a constant 25 °C use profile. Engineering Bulletin EB618 does not apply to this technology. Typical endurance defined in Engineering Bulletin EB619.
2. Cycling endurance represents number of program/erase cycles at  $-40\text{ °C} \leq T_j \leq 125\text{ °C}$ .

## 5.4.4 Security and integrity modules

There are no specifications necessary for the device's security and integrity modules.

## 5.4.5 Analog

### 5.4.5.1 ADC electrical specifications

#### 5.4.5.1.1 12-bit ADC operating conditions

Table 49. 12-bit ADC operating conditions

Symbol	Description	Conditions	Min.	Typ. <sup>1</sup>	Max.	Unit	Notes
V <sub>DDA</sub>	Supply voltage	Absolute	2.7	—	5.5	V	
ΔV <sub>DDA</sub>	Supply voltage	Delta to V <sub>DD</sub> (V <sub>DD</sub> – V <sub>DDA</sub> )	-100	0	+100	mV	2
ΔV <sub>SSA</sub>	Ground voltage	Delta to V <sub>SS</sub> (V <sub>SS</sub> – V <sub>SSA</sub> )	-100	0	+100	mV	2
V <sub>REFH</sub>	ADC reference voltage high		2.5	V <sub>DDA</sub>	V <sub>DDA</sub> + 100m	V	3
V <sub>REFL</sub>	ADC reference voltage low		– 100	0	100	mV	3
V <sub>ADIN</sub>	Input voltage		V <sub>REFL</sub>	—	V <sub>REFH</sub>	V	
R <sub>S</sub>	Source impedence	f <sub>ADCK</sub> < 4 MHz	—	—	5	kΩ	
R <sub>SW1</sub>	Channel Selection Switch Impedance		—	0.5	1.2	kΩ	
R <sub>AD</sub>	Sampling Switch Impedance		—	2	5	kΩ	
C <sub>P1</sub>	Pin Capacitance		—	3	—	pF	
C <sub>P2</sub>	Analog Bus Capacitance		—	—	5	pF	
C <sub>S</sub>	Sampling capacitance		—	4	5	pF	
f <sub>ADCK</sub>	ADC conversion clock frequency		2	40	50	MHz	4, 5
C <sub>rate</sub>	ADC conversion rate	No ADC hardware averaging <sup>6</sup> Continuous conversions enabled, subsequent conversion time	20	—	1200	Ksps	7

1. Typical values assume V<sub>DDA</sub> = 5 V, Temp = 25 °C, f<sub>ADCK</sub> = 40 MHz, unless otherwise stated. Typical values are for reference only, and are not tested in production.
2. DC potential difference.
3. For packages without dedicated V<sub>REFH</sub> and V<sub>REFL</sub> pins, V<sub>REFH</sub> is internally tied to V<sub>DDA</sub>, and V<sub>REFL</sub> is internally tied to V<sub>SSA</sub>.
4. Clock and compare cycle need to be set according to the guidelines in the device *Reference Manual*.
5. ADC conversion will become less reliable above maximum frequency.
6. When using ADC hardware averaging, see the device *Reference Manual* to determine the most appropriate setting for AVGS.
7. Max ADC conversion rate of 1200 Ksps is with 10-bit mode



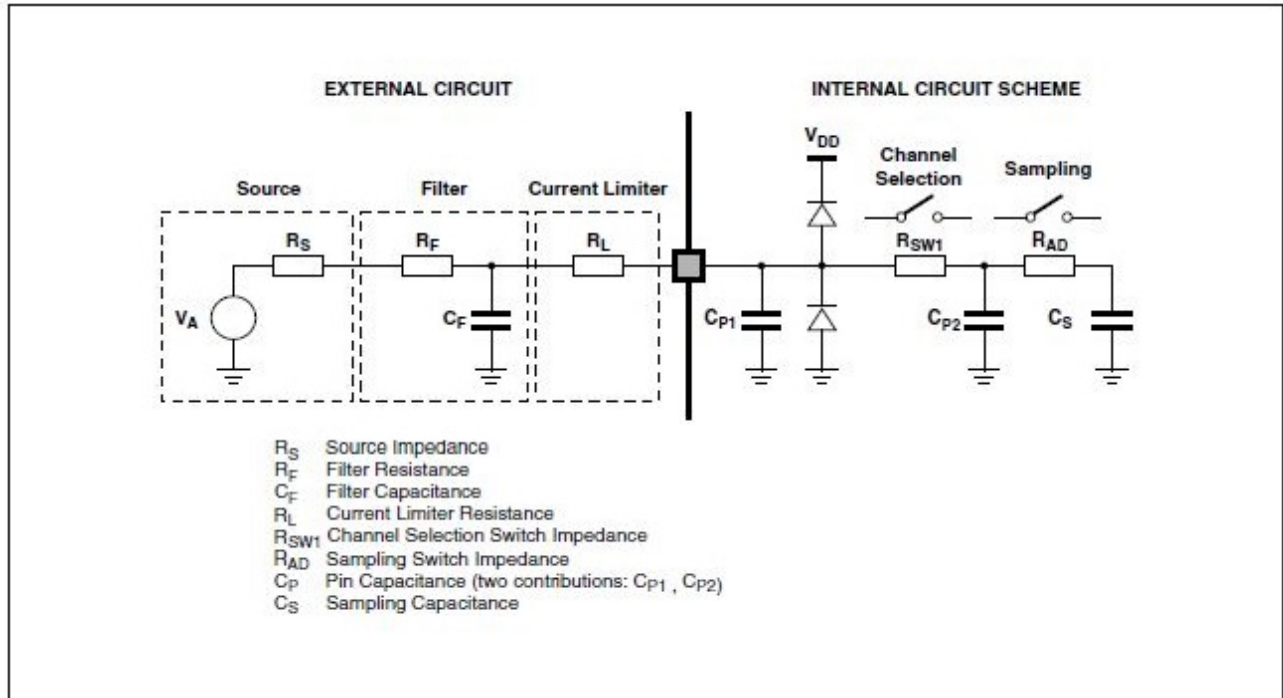


Figure 19. ADC input impedance equivalency diagram

#### 5.4.5.1.2 12-bit ADC electrical characteristics

##### NOTE

All the parameters in the table are given assuming system clock as the clocking source for ADC.

##### NOTE

For ADC signals adjacent to VDD/VSS or the XTAL pins some degradation in the ADC performance may be observed.

##### NOTE

All values guarantee the performance of the ADC for the multiple ADC input channel pins. When using the ADC to monitor the internal analogue parameters, please assume minor degradation.

Table 50. 12-bit ADC characteristics ( $V_{REFH} = V_{DDA}$ ,  $V_{REFL} = V_{SSA}$ )

Symbol	Description	Conditions <sup>1</sup>	Min.	Typ. <sup>2</sup>	Max. <sup>3</sup>	Unit	Notes
$I_{DDA\_ADC}$	Supply current at 2.7 to 5.5 V			$\mu\text{A}$ @ 5 V		$\mu\text{A}$	4

Table continues on the next page...

**Table 50. 12-bit ADC characteristics ( $V_{REFH} = V_{DDA}$ ,  $V_{REFL} = V_{SSA}$ ) (continued)**

Symbol	Description	Conditions <sup>1</sup>	Min.	Typ. <sup>2</sup>	Max. <sup>3</sup>	Unit	Notes
	Sample Time		275	—	Refer to the device's <i>Reference Manual</i>	ns	
TUE	Total unadjusted error at 2.7 to 5.5 V		—	±4.5	±6.11	LSB <sup>5</sup>	6
DNL	Differential non-linearity at 2.7 to 5.5 V		—	±0.8	±1.07	LSB <sup>5</sup>	6
INL	Integral non-linearity at 2.7 to 5.5 V		—	±1.4	±3.54	LSB <sup>5</sup>	6
E <sub>FS</sub>	Full-scale error at 2.7 to 5.5 V		—	-2	-3.60	LSB <sup>5</sup>	$V_{ADIN} = V_{DDA}$ <sup>6</sup>
E <sub>ZS</sub>	Zero-scale error at 2.7 to 5.5 V		—	-2.7	-4.24	LSB <sup>5</sup>	
E <sub>Q</sub>	Quantization error at 2.7 to 5.5 V		—	—	±0.5	LSB <sup>5</sup>	
ENOB	Effective number of bits at 2.7 to 5.5 V		—	11.3	—	bits	7
SINAD	Signal-to-noise plus distortion at 2.7 to 5.5 V	See ENOB	—	70	—	dB	$SINAD = 6.02 \times ENOB + 1.76$
E <sub>IL</sub>	Input leakage error at 2.7 to 5.5 V		$I_{in} \times R_{AS}$			mV	$I_{in}$ = leakage current (refer to the MCU's voltage and current operating ratings)
V <sub>TEMP_S</sub>	Temp sensor slope at 2.7 to 5.5 V	Across the full temperature range of the device	1.492	1.564	1.636	mV/°C	8, 9
V <sub>TEMP25</sub>	Temp sensor voltage at 2.7 to 5.5 V	25 °C	730	740.5	751	mV	8, 9

- All accuracy numbers assume the ADC is calibrated with  $V_{REFH} = V_{DDA}$
- Typical values assume  $V_{DDA} = 5.0$  V, Temp = 25 °C,  $f_{ADCK} = 48$  MHz unless otherwise stated.
- These values are based on characterization but not covered by test limits in production.
- The ADC supply current depends on the ADC conversion clock speed, conversion rate and ADC\_CFG1[ADLPC] (low power). For lowest power operation, ADC\_CFG1[ADLPC] must be set, the ADC\_CFG2[ADHSC] bit must be clear with 1 MHz ADC conversion clock speed.
- 1 LSB =  $(V_{REFH} - V_{REFL})/2^N$
- ADC conversion clock < 16 MHz, Max hardware averaging (AVGE = %1, AVGS = %11)
- Input data is 100 Hz sine wave. ADC conversion clock < 40 MHz.
- ADC conversion clock < 3 MHz
- The sensor must be calibrated to gain good accuracy, so as to provide good linearity, see also [AN3031](#) for more detailed application information of the temperature sensor.

### 5.4.5.2 CMP with 8-bit DAC electrical specifications

**Table 51. Comparator with 8-bit DAC electrical specifications**

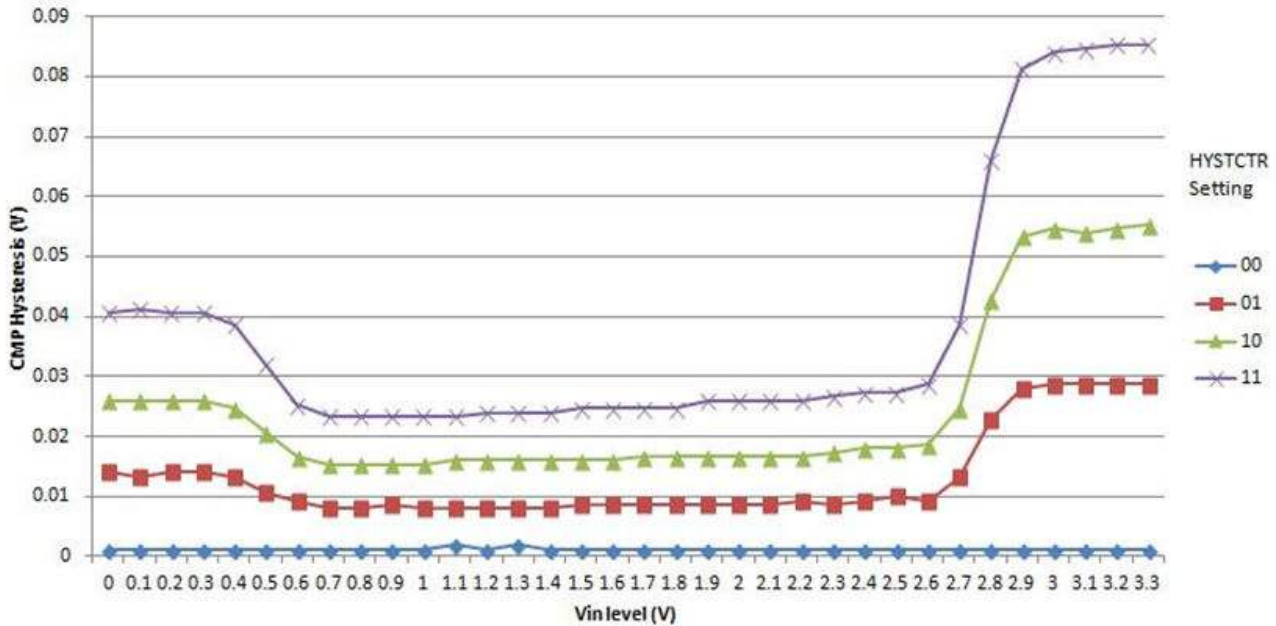
Symbol	Description	Min.	Typ. <sup>1</sup>	Max.	Unit
V <sub>DD</sub>	Supply voltage	2.7	—	5.5	V
I <sub>DDHS</sub>	Supply current, High-speed mode <sup>2</sup>				μA
	within ambient temperature range	—	145	200	
I <sub>DDL</sub>	Supply current, Low-speed mode <sup>2</sup>				μA
	within ambient temperature range	—	5	10	
V <sub>AIN</sub>	Analog input voltage	0	0 - V <sub>DDX</sub>	V <sub>DDX</sub>	V
V <sub>AIO</sub>	Analog input offset voltage, High-speed mode				mV
	within ambient temperature range	-25	±1	25	
V <sub>AIO</sub>	Analog input offset voltage, Low-speed mode				mV
	within ambient temperature range	-40	±4	40	
t <sub>DHSB</sub>	Propagation delay, High-speed mode <sup>3</sup>				ns
	within ambient temperature range	—	30	200	
t <sub>DLSB</sub>	Propagation delay, Low-speed mode <sup>3</sup>				μs
	within ambient temperature range	—	0.5	2	
t <sub>DHSS</sub>	Propagation delay, High-speed mode <sup>4</sup>				ns
	within ambient temperature range	—	70	400	
t <sub>DLSS</sub>	Propagation delay, Low-speed mode <sup>4</sup>				μs
	within ambient temperature range	—	1	5	
t <sub>IDHS</sub>	Initialization delay, High-speed mode <sup>3</sup>				μs
	within ambient temperature range	—	1.5	3	
t <sub>IDLS</sub>	Initialization delay, Low-speed mode <sup>3</sup>				μs
	within ambient temperature range	—	10	30	
V <sub>HYST0</sub>	Analog comparator hysteresis, Hyst0 (V <sub>AIO</sub> )				mV
	within ambient temperature range	—	0	—	
V <sub>HYST1</sub>	Analog comparator hysteresis, Hyst1, High-speed mode				mV
	within ambient temperature range	—	16	53	
	Analog comparator hysteresis, Hyst1, Low-speed mode				
	within ambient temperature range	—	11	30	
V <sub>HYST2</sub>	Analog comparator hysteresis, Hyst2, High-speed mode				mV
	within ambient temperature range	—	32	90	
	Analog comparator hysteresis, Hyst2, Low-speed mode				
	within ambient temperature range	—	22	53	
V <sub>HYST3</sub>	Analog comparator hysteresis, Hyst3, High-speed mode				mV

Table continues on the next page...

**Table 51. Comparator with 8-bit DAC electrical specifications (continued)**

Symbol	Description	Min.	Typ. <sup>1</sup>	Max.	Unit
	within ambient temperature range	—	48	133	
	Analog comparator hysteresis, Hyst3, Low-speed mode				
	within ambient temperature range	—	33	80	
I <sub>DAC8b</sub>	8-bit DAC current adder (enabled)	—	10	16	μA
INL	8-bit DAC integral non-linearity	-0.6	—	0.5	LSB <sup>5</sup>
DNL	8-bit DAC differential non-linearity	-0.5	—	0.5	LSB

1. Typical values assumed at VDDA = 5.0 V, Temp = 25 °C, unless otherwise stated.
2. Difference at input > 200mV
3. Applied ± (100 mV + Hyst) around switch point
4. Applied ± (30 mV + 2 × Hyst) around switch point
5. 1 LSB = V<sub>reference</sub>/256



**Figure 20. Typical hysteresis vs. Vin level (VDD = 3.3 V, PMODE = 0)**

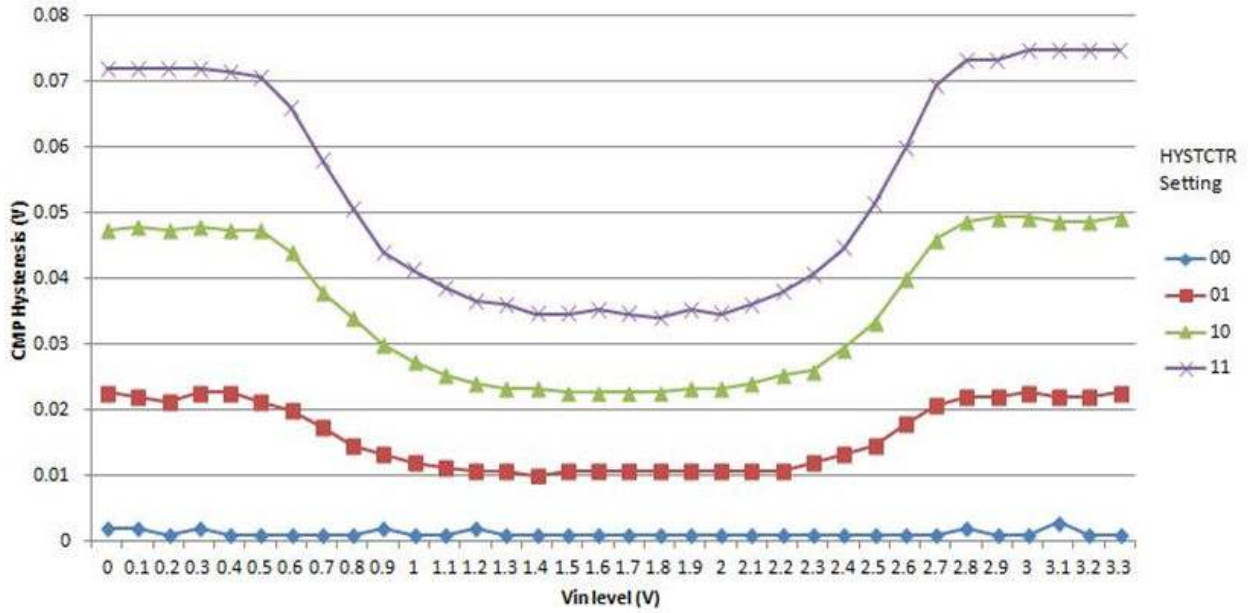


Figure 21. Typical hysteresis vs. Vin level (VDD = 3.3 V, PMODE = 1)

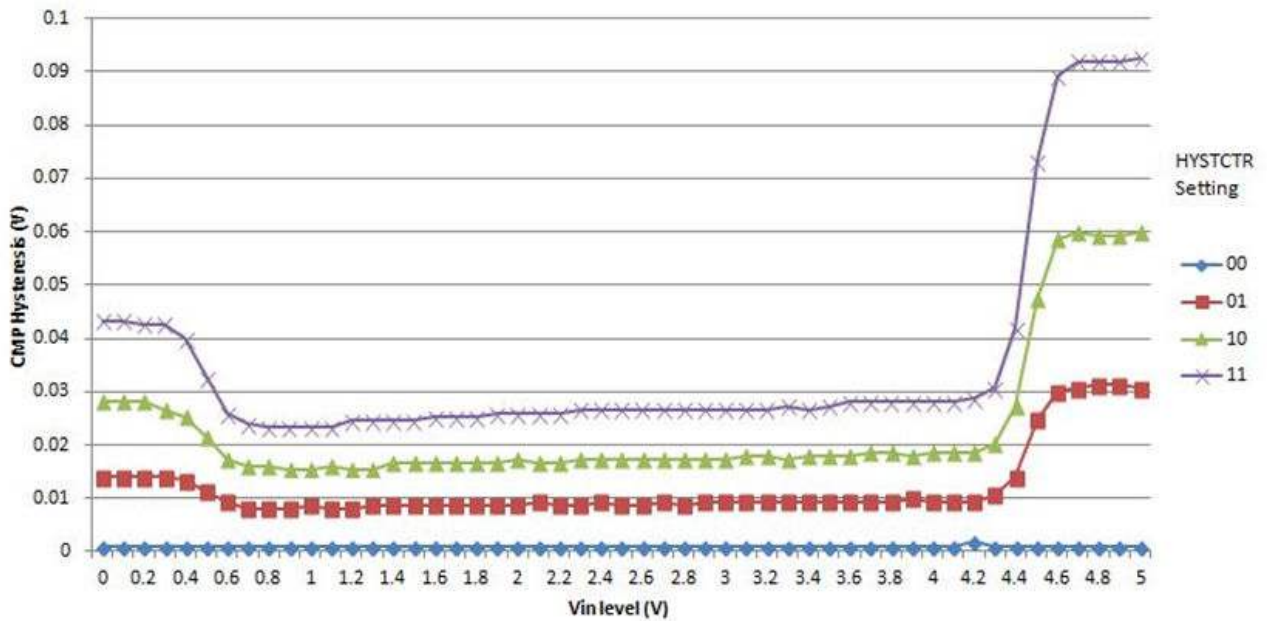


Figure 22. Typical hysteresis vs. Vin level (VDD = 5 V, PMODE = 0)

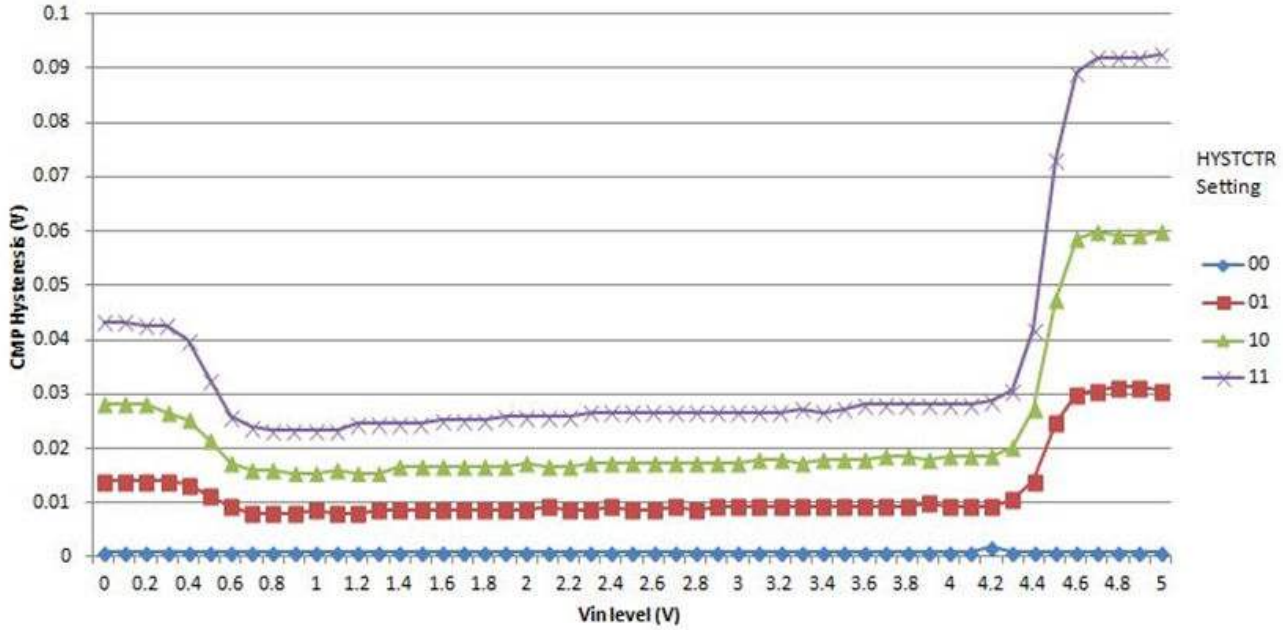


Figure 23. Typical hysteresis vs. Vin level (VDD = 5 V, PMODE = 1)

## 5.4.6 Communication interfaces

### 5.4.6.1 LPUART electrical specifications

Refer to [General AC specifications](#) for LPUART specifications.

### 5.4.6.2 LPSPI electrical specifications

The Low Power Serial Peripheral Interface (LPSPI) provides a synchronous serial bus with master and slave operations. Many of the transfer attributes are programmable. The following tables provide timing characteristics for classic LPSPI timing modes.

All timing is shown with respect to 20%  $V_{DD}$  and 80%  $V_{DD}$  thresholds, unless noted, as well as input signal transitions of 3 ns and a 30 pF maximum load on all LPSPI pins.

Table 52. LPSPI master mode timing

Num.	Symbol	Description	Min.	Max.	Unit	Note
1	$f_{SPSCK}$	Frequency of SPSCK	$f_{periph}/2048$	$f_{periph}/2$	Hz	1
2	$t_{SPSCK}$	SPSCK period	$2 \times t_{periph}$	$2048 \times t_{periph}$	ns	2
3	$t_{Lead}$	Enable lead time	1/2	—	$t_{SPSCK}$	—
4	$t_{Lag}$	Enable lag time	1/2	—	$t_{SPSCK}$	—

Table continues on the next page...

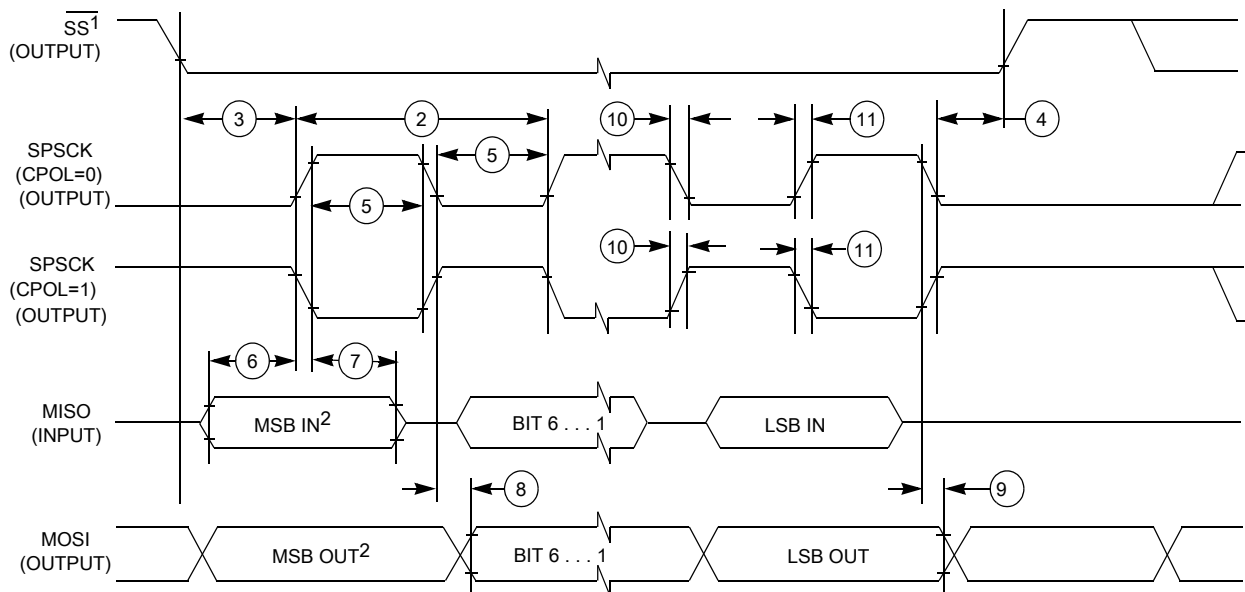
**Table 52. LPSPI master mode timing (continued)**

Num.	Symbol	Description	Min.	Max.	Unit	Note
5	$t_{WSPSCK}$	Clock (SPSCK) high or low time	$t_{periph} - 30$	$1024 \times t_{periph}$	ns	—
6	$t_{SU}$	Data setup time (inputs)	18	—	ns	—
7	$t_{HI}$	Data hold time (inputs)	0	—	ns	—
8	$t_v$	Data valid (after SPSCK edge)	—	15	ns	—
9	$t_{HO}$	Data hold time (outputs)	0	—	ns	—
10	$t_{RI}$	Rise time input	—	$t_{periph} - 25$	ns	—
	$t_{FI}$	Fall time input				
11	$t_{RO}$	Rise time output	—	25	ns	—
	$t_{FO}$	Fall time output				

1.  $f_{periph}$  is LPSPI peripheral functional clock. On this device, the max value of  $f_{SPSCK}$  should not exceed 25 MHz.
2.  $t_{periph} = 1/f_{periph}$

**NOTE**

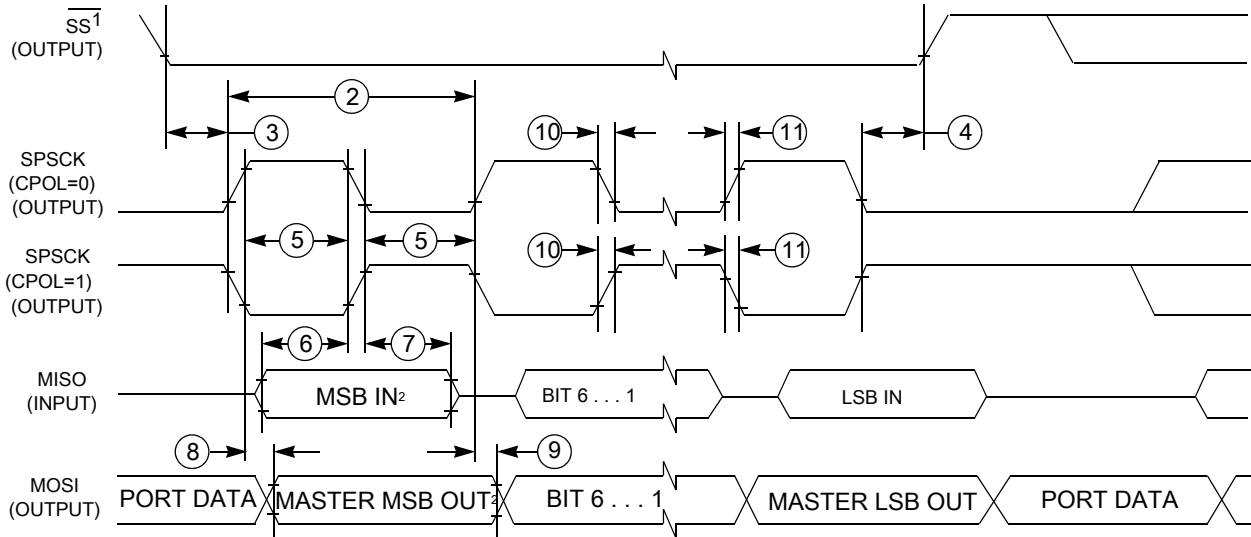
High drive pin should be used for fast bit rate.



1. If configured as an output.
2. LSBF = 0. For LSBF = 1, bit order is LSB, bit 1, ..., bit 6, MSB.

**Figure 24. LPSPI master mode timing (CPHA = 0)**

## Electrical characteristics



1. If configured as output
2. LSBF = 0. For LSBF = 1, bit order is LSB, bit 1, ..., bit 6, MSB.

**Figure 25. LPSPI master mode timing (CPHA = 1)**

**Table 53. LPSPI slave mode timing**

Num.	Symbol	Description	Min.	Max.	Unit	Note
1	$f_{\text{SPSCCK}}$	Frequency of SPSCCK	0	$f_{\text{periph}}/2$	Hz	1
2	$t_{\text{SPSCCK}}$	SPSCCK period	$2 \times t_{\text{periph}}$	—	ns	2
3	$t_{\text{Lead}}$	Enable lead time	1	—	$t_{\text{periph}}$	—
4	$t_{\text{Lag}}$	Enable lag time	1	—	$t_{\text{periph}}$	—
5	$t_{\text{WSPSCCK}}$	Clock (SPSCCK) high or low time	$t_{\text{periph}} - 30$	—	ns	—
6	$t_{\text{SU}}$	Data setup time (inputs)	2.5	—	ns	—
7	$t_{\text{HI}}$	Data hold time (inputs)	3.5	—	ns	—
8	$t_{\text{a}}$	Slave access time	—	$t_{\text{periph}}$	ns	3
9	$t_{\text{dis}}$	Slave MISO disable time	—	$t_{\text{periph}}$	ns	4
10	$t_{\text{v}}$	Data valid (after SPSCCK edge)	—	31	ns	—
11	$t_{\text{HO}}$	Data hold time (outputs)	0	—	ns	—
12	$t_{\text{RI}}$	Rise time input	—	$t_{\text{periph}} - 25$	ns	—
	$t_{\text{FI}}$	Fall time input				
13	$t_{\text{RO}}$	Rise time output	—	25	ns	—
	$t_{\text{FO}}$	Fall time output				

1.  $f_{\text{periph}}$  is LPSPI peripheral functional clock. On this device, the max value of  $f_{\text{SPSCCK}}$  should not exceed 25 MHz.
2.  $t_{\text{periph}} = 1/f_{\text{periph}}$
3. Time to data active from high-impedance state
4. Hold time to high-impedance state



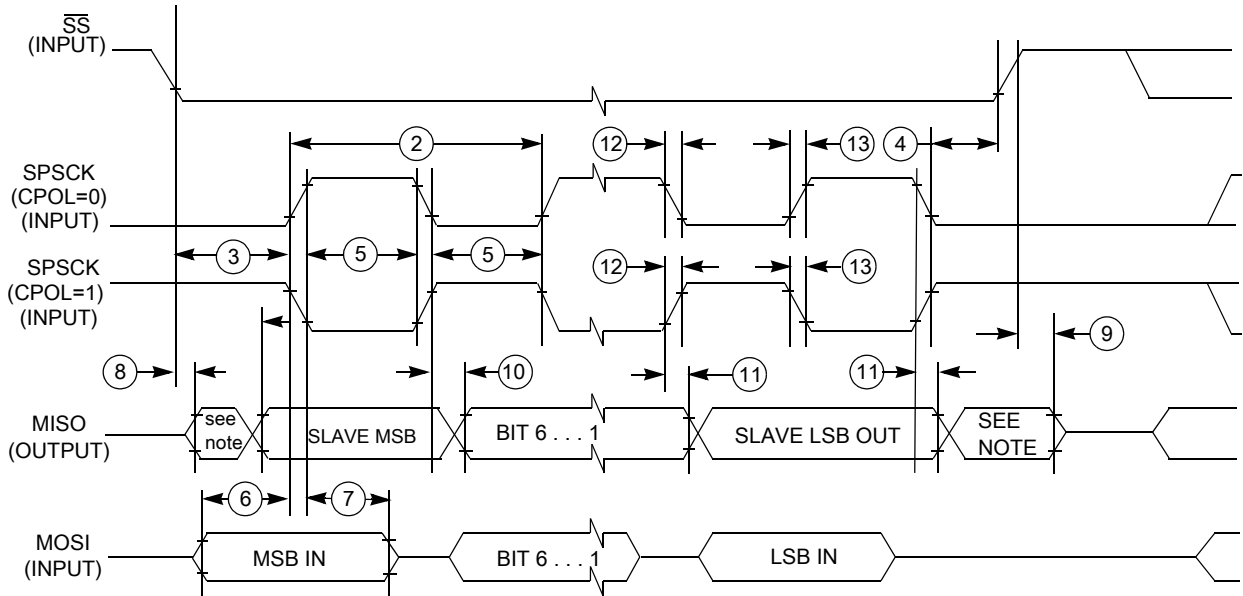


Figure 26. LPSPI slave mode timing (CPHA = 0)

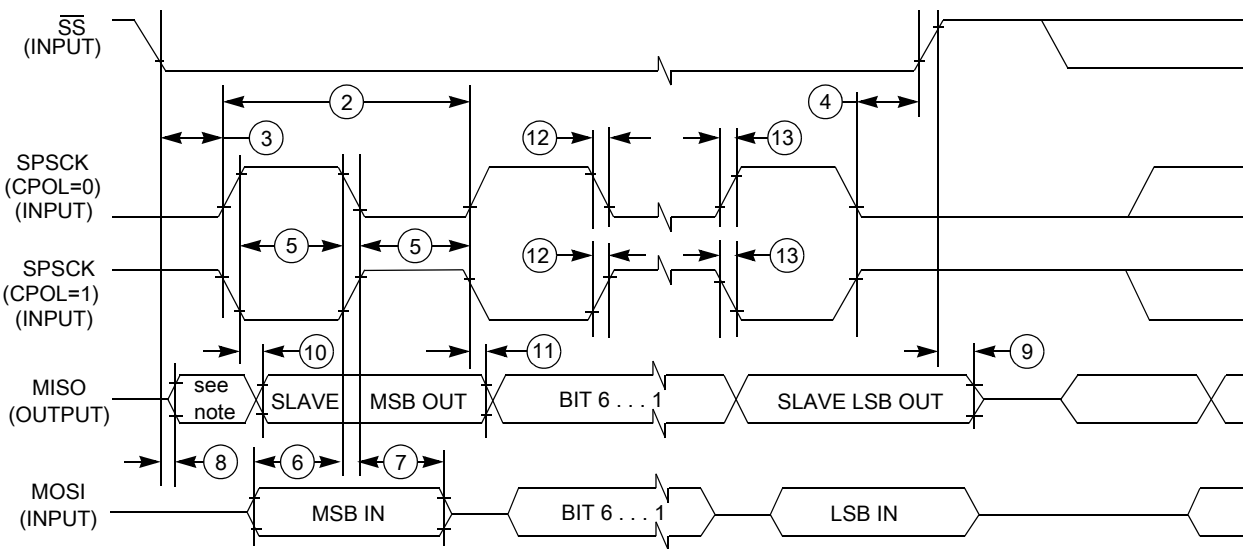


Figure 27. LPSPI slave mode timing (CPHA = 1)

### 5.4.6.3 LPI<sup>2</sup>C

Table 54. LPI<sup>2</sup>C specifications

Symbol	Description		Min.	Max.	Unit	Notes
f <sub>SCL</sub>	SCL clock frequency	Standard mode (Sm)	0	100	kHz	1, 2, 3
		Fast mode (Fm)	0	400		
		Fast mode Plus (Fm+)	0	1000		
		Ultra Fast mode (UFm)	0	5000		
		High speed mode (Hs-mode)	0	3400		

## Electrical characteristics

1. Hs-mode is only supported in slave mode.
2. The maximum SCL clock frequency in Fast mode with maximum bus loading (400pF) can only be achieved with appropriate pull-up devices on the bus when using the high or normal drive pins across the full voltage range . The maximum SCL clock frequency in Fast mode Plus can support maximum bus loading (400pF) with appropriate pull-up devices when using the high drive pins. The maximum SCL clock frequency in Ultra Fast mode can support maximum bus loading (400pF) when using the high drive pins. The maximum SCL clock frequency for slave in High speed mode can support maximum bus loading (400pF) with appropriate pull-up devices when using the high drive pins. For more information on the required pull-up devices, see I<sup>2</sup>C Bus Specification.
3. See the section "General switching specifications".

## 5.4.7 Human-machine interfaces (HMI)

### 5.4.7.1 Touch sensing input (TSI) electrical specifications

Table 55. TSI electrical specifications

Symbol	Description	Value			Unit
		Min	Typ	Max	
I <sub>DD_EN</sub>	Power consumption in operation mode	—	500	—	μA
I <sub>DD_DIS</sub>	Power consumption in disable mode	—	20	—	nA
V <sub>BG</sub>	Internal bandgap reference voltage	—	1.21	—	V
V <sub>PRE</sub>	Internal bias voltage	—	1.51	—	V
C <sub>I</sub>	Internal integration capacitance	—	90	—	pF
F <sub>CLK</sub>	Internal main clock frequency	—	16	—	MHz

## 5.4.8 Debug modules

### 5.4.8.1 SWD electricals

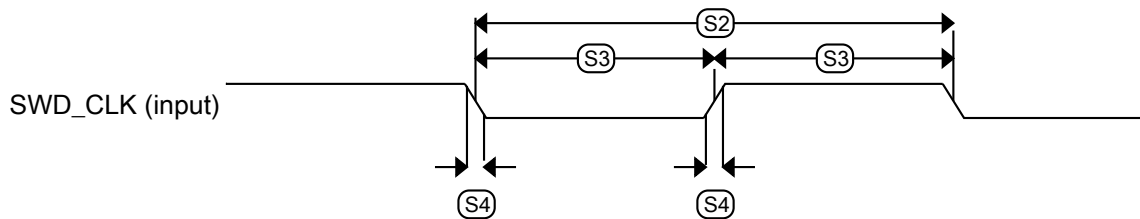
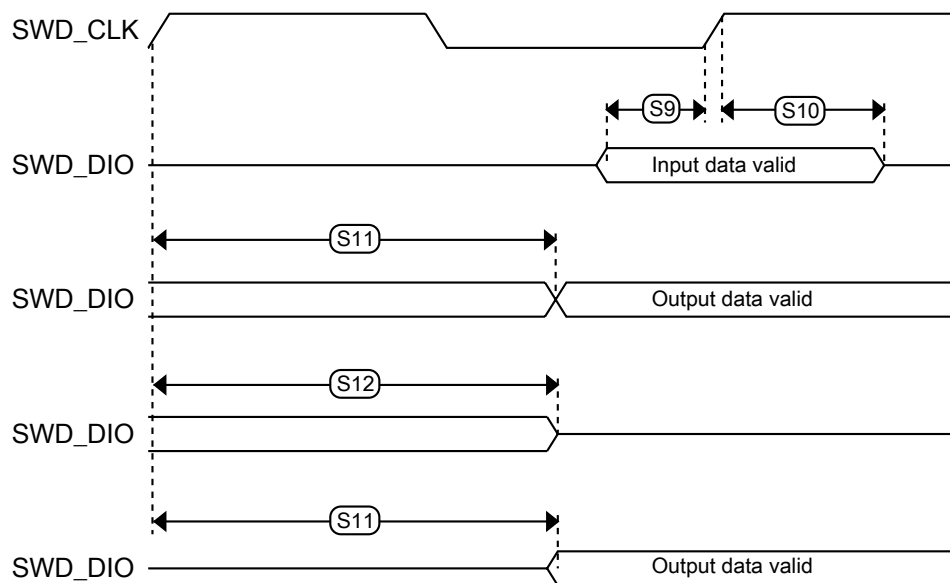
Table 56. SWD full voltage range electricals

Symbol	Description	Min.	Max.	Unit
V <sub>DDA</sub>	Operating voltage	2.7	5.5	V
S1	SWD_CLK frequency of operation	0	25	MHz

Table continues on the next page...

**Table 56. SWD full voltage range electricals (continued)**

Symbol	Description	Min.	Max.	Unit
S2	SWD_CLK cycle period	1/S1	—	ns
S3	SWD_CLK clock pulse width	15	—	ns
S4	SWD_CLK rise and fall times	—	3	ns
S9	SWD_DIO input data setup time to SWD_CLK rise	8	—	ns
S10	SWD_DIO input data hold time after SWD_CLK rise	1.4	—	ns
S11	SWD_CLK high to SWD_DIO data valid	—	25	ns
S12	SWD_CLK high to SWD_DIO high-Z	5	—	ns

**Figure 28. Serial wire clock input timing****Figure 29. Serial wire data timing**

## 6 Design considerations

## 6.1 Hardware design considerations

This device contains protective circuitry to guard against damage due to high static voltage or electric fields. However, take normal precautions to avoid application of any voltages higher than maximum-rated voltages to this high-impedance circuit.

### 6.1.1 Printed circuit board recommendations

- Place connectors or cables on one edge of the board and do not place digital circuits between connectors.
- Drivers and filters for I/O functions must be placed as close to the connectors as possible. Connect TVS devices at the connector to a good ground. Connect filter capacitors at the connector to a good ground. Consider to add ferrite bead or inductor to some sensitive lines.
- Physically isolate analog circuits from digital circuits if possible.
- Place input filter capacitors as close to the MCU as possible.
- For best EMC performance, route signals as transmission lines; use a ground plane directly under LQFP packages; and solder the exposed pad (EP) to ground directly under QFN packages.

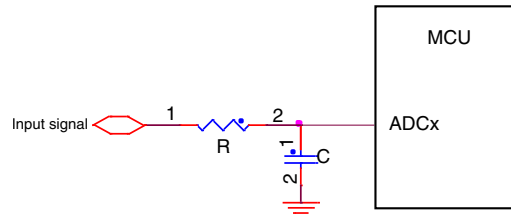
### 6.1.2 Power delivery system

Consider the following items in the power delivery system:

- Use a plane for ground.
- Use a plane for MCU VDD supply if possible.
- Always route ground first, as a plane or continuous surface, and never as sequential segments.
- Always route the power net as star topology, and make each power trace loop as minimum as possible.
- Route power next, as a plane or traces that are parallel to ground traces.
- Place bulk capacitance, 10  $\mu\text{F}$  or more, at the entrance of the power plane.
- Place bypass capacitors for MCU power domain as close as possible to each VDD/VSS pair, including VDDA/VSSA and VREFH/VREFL.
- The minimum bypass requirement is to place 0.1  $\mu\text{F}$  capacitors positioned as near as possible to the package supply pins.

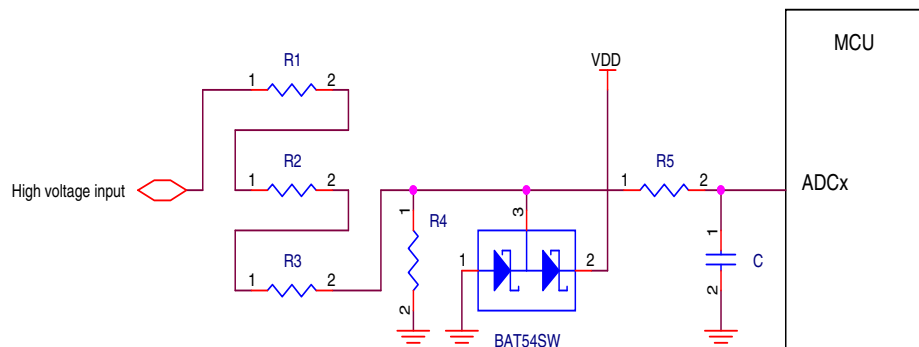
### 6.1.3 Analog design

Each ADC input must have an RC filter as shown in the following figure. The maximum value of R must be  $R_{AS\ max}$  if fast sampling and high resolution are required. The value of C must be chosen to ensure that the RC time constant is very small compared to the sample period.



**Figure 30. RC circuit for ADC input**

High voltage measurement circuits require voltage division, current limiting, and over-voltage protection as shown the following figure. The voltage divider formed by R1 – R4 must yield a voltage less than or equal to  $V_{REFH}$ . The current must be limited to less than the injection current limit. External clamp diodes can be added here to protect against transient over-voltages.



**Figure 31. High voltage measurement with an ADC input**

#### NOTE

For more details of ADC related usage, refer to [AN5250: How to Increase the Analog-to-Digital Converter Accuracy in an Application](#).

### 6.1.4 Digital design

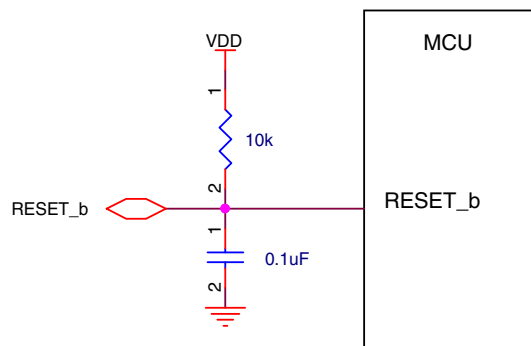
Ensure that all I/O pins cannot get pulled above VDD (Max I/O is  $V_{DD}+0.3V$ ).

### CAUTION

Do not provide power to I/O pins prior to VDD, especially the RESET\_b pin.

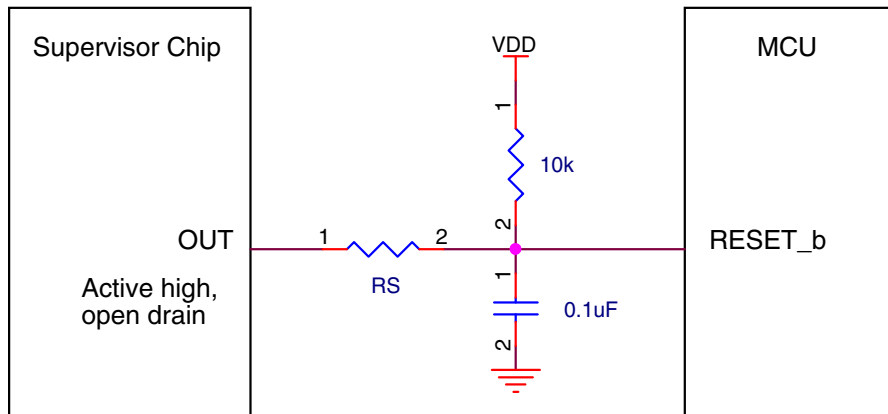
- RESET\_b pin

The RESET\_b pin is a pseudo open-drain I/O pin that has an internal pullup resistor. An external RC circuit is recommended to filter noise as shown in the following figure. The resistor value must be in the range of 4.7 kΩ to 10 kΩ; the recommended capacitance value is 0.1 μF. The RESET\_b pin also has a selectable digital filter to reject spurious noise.



**Figure 32. Reset circuit**

When an external supervisor chip is connected to the RESET\_b pin, a series resistor must be used to avoid damaging the supervisor chip or the RESET\_b pin, as shown in the following figure. The series resistor value (RS below) must be in the range of 100 Ω to 1 kΩ depending on the external reset chip drive strength. The supervisor chip must have an active high, open-drain output.

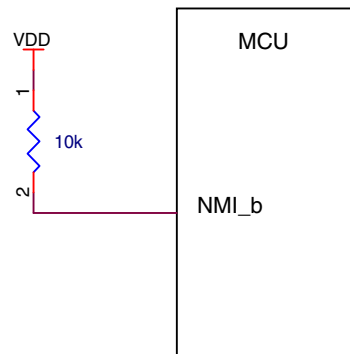


**Figure 33. Reset signal connection to external reset chip**

- NMI pin

Do not add a pull-down resistor or capacitor on the NMI\_b pin, because a low level on this pin will trigger non-maskable interrupt. When this pin is enabled as the NMI function, an external pull-up resistor (10 k $\Omega$ ) as shown in the following figure is recommended for robustness.

If the NMI\_b pin is used as an I/O pin, the non-maskable interrupt handler is required to disable the NMI function by remapping to another function. The NMI function is disabled by programming the FOPT[NMI\_DIS] bit to zero.



**Figure 34. NMI pin biasing**

- Debug interface

This MCU uses the standard ARM SWD interface protocol as shown in the following figure. While pull-up or pull-down resistors are not required (SWD\_DIO has an internal pull-up and SWD\_CLK has an internal pull-down), external 10 k $\Omega$  pull resistors are recommended for system robustness. The RESET\_b pin recommendations mentioned above must also be considered.

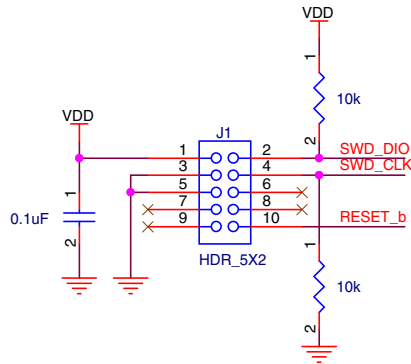


Figure 35. SWD debug interface

- Unused pin

Unused GPIO pins must be left floating (no electrical connections) with the MUX field of the pin's PORTx\_PCRn register equal to 0:0:0. This disables the digital input path to the MCU.

### 6.1.5 Crystal oscillator

When using an external crystal or ceramic resonator as the frequency reference for the MCU clock system, refer to the following table and diagrams.

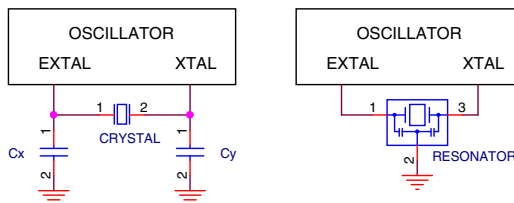
The feedback resistor,  $R_F$ , is incorporated internally with the low power oscillators. An external feedback is required when using high gain ( $HGO=1$ ) mode.

The series resistor,  $R_S$ , is required in high gain ( $HGO=1$ ) mode when the crystal or resonator frequency is below 2 MHz. Otherwise, the low power oscillator ( $HGO=0$ ) must not have any series resistance; and the high frequency, high gain oscillator with a frequency above 2 MHz does not require any series resistance.

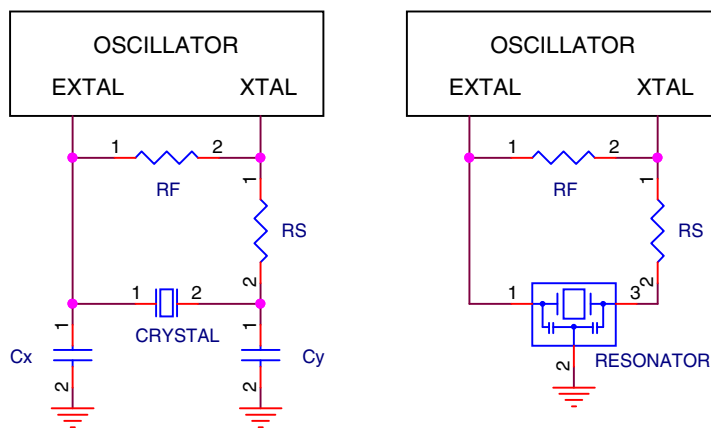
Table 57. External crystal/resonator connections

Oscillator mode	Oscillator mode
Low frequency (32.768 kHz), high gain	Diagram 3
High frequency (1-32 MHz), low power	Diagram 2
High frequency (1-32 MHz), high gain	Diagram 3





**Figure 36. Crystal connection – Diagram 2**



**Figure 37. Crystal connection – Diagram 3**

### NOTE

For PCB layout, the user could consider to add the guard ring to the crystal oscillator circuit.

## 7 Part identification

### 7.1 Description

Part numbers for the chip have fields that identify the specific part. You can use the values of these fields to determine the specific part you have received.

### 7.2 Format

Part numbers for this device have the following format:

Q KE## A FFF R T PP CC N

## 7.3 Fields

This table lists the possible values for each field in the part number (not all combinations are valid):

**Table 58. Part number fields description**

Field	Description	Values
Q	Qualification status	<ul style="list-style-type: none"> <li>M = Fully qualified, general market flow</li> <li>P = Prequalification</li> </ul>
KE##	Kinetis family	<ul style="list-style-type: none"> <li>KE17, KE13, KE12</li> </ul>
A	Key attribute	<ul style="list-style-type: none"> <li>Z = Cortex-M0+</li> </ul>
FFF	Program flash memory size	<ul style="list-style-type: none"> <li>128 = 128 KB</li> <li>256 = 256 KB</li> </ul>
R	Silicon revision	<ul style="list-style-type: none"> <li>(Blank) = Main</li> <li>A = Revision after main</li> </ul>
T	Temperature range (°C)	<ul style="list-style-type: none"> <li>V = -40 to 105</li> </ul>
PP	Package identifier	<ul style="list-style-type: none"> <li>LF = 48 LQFP (7 mm x 7 mm)</li> <li>LH = 64 LQFP (10 mm x 10 mm)</li> <li>LL = 100 LQFP (14 mm x 14 mm)</li> </ul>
CC	Maximum CPU frequency (MHz)	<ul style="list-style-type: none"> <li>7 = 72 MHz</li> </ul>
N	Packaging type	<ul style="list-style-type: none"> <li>R = Tape and reel</li> <li>(Blank) = Trays</li> </ul>

## 7.4 Example

This is an example part number:

MKE17Z256VLL7

## 8 Revision history

The following table provides a revision history for this document.

**Table 59. Revision history**

Rev. No.	Date	Substantial Changes
2	09/2021	Initial public release.
2.1	02/2022	<ul style="list-style-type: none"> <li>Added the new 48LQFP package and related information.</li> <li>Updated the "Thermal attributes" section.</li> </ul>

**How to Reach Us:****Home Page:**[nxp.com](http://nxp.com)**Web Support:**[nxp.com/support](http://nxp.com/support)

**Limited warranty and liability** — Information in this document is believed to be accurate and reliable. However, NXP Semiconductors does not give any representations or warranties, expressed or implied, as to the accuracy or completeness of such information and shall have no liability for the consequences of use of such information. NXP Semiconductors takes no responsibility for the content in this document if provided by an information source outside of NXP Semiconductors. In no event shall NXP Semiconductors be liable for any indirect, incidental, punitive, special or consequential damages (including - without limitation - lost profits, lost savings, business interruption, costs related to the removal or replacement of any products or rework charges) whether or not such damages are based on tort (including negligence), warranty, breach of contract or any other legal theory.

Notwithstanding any damages that customer might incur for any reason whatsoever, NXP Semiconductors' aggregate and cumulative liability towards customer for the products described herein shall be limited in accordance with the Terms and conditions of commercial sale of NXP Semiconductors.

**Right to make changes** - NXP Semiconductors reserves the right to make changes to information published in this document, including without limitation specifications and product descriptions, at any time and without notice. This document supersedes and replaces all information supplied prior to the publication hereof.

**Security** — Customer understands that all NXP products may be subject to unidentified or documented vulnerabilities. Customer is responsible for the design and operation of its applications and products throughout their lifecycles to reduce the effect of these vulnerabilities on customer's applications and products. Customer's responsibility also extends to other open and/or proprietary technologies supported by NXP products for use in customer's applications. NXP accepts no liability for any vulnerability. Customer should regularly check security updates from NXP and follow up appropriately.

Customer shall select products with security features that best meet rules, regulations, and standards of the intended application and make the ultimate design decisions regarding its products and is solely responsible for compliance with all legal, regulatory, and security related requirements concerning its products, regardless of any information or support that may be provided by NXP. NXP has a Product Security Incident Response Team (PSIRT) (reachable at [PSIRT@nxp.com](mailto:PSIRT@nxp.com)) that manages the investigation, reporting, and solution release to security vulnerabilities of NXP products.

**Suitability for use** — NXP Semiconductors products are not designed, authorized or warranted to be suitable for use in life support, life-critical or safety-critical systems or equipment, nor in applications where failure or malfunction of an NXP Semiconductors product can reasonably be expected to result in personal injury, death or severe property or environmental damage. NXP Semiconductors and its suppliers accept no liability for inclusion and/or use of NXP Semiconductors products in such equipment or applications and therefore such inclusion and/or use is at the customer's own risk.

**Non-automotive qualified products** — Unless this data sheet expressly states that this specific NXP Semiconductors product is automotive qualified, the product is not suitable for automotive use. It is neither qualified nor tested in accordance with automotive testing or application requirements. NXP Semiconductors accepts no liability for inclusion and/or use of non-automotive qualified products in automotive equipment or applications.

In the event that customer uses the product for design-in and use in automotive applications to automotive specifications and standards, customer (a) shall use the product without NXP Semiconductors' warranty of the product for such automotive applications, use and specifications,

and (b) whenever customer uses the product for automotive applications beyond NXP Semiconductors' specifications such use shall be solely at customer's own risk, and (c) customer fully indemnifies NXP Semiconductors for any liability, damages or failed product claims resulting from customer design and use of the product for automotive applications beyond NXP Semiconductors' standard warranty and NXP Semiconductors' product specifications.

**Applications** — Applications that are described herein for any of these products are for illustrative purposes only. NXP Semiconductors makes no representation or warranty that such applications will be suitable for the specified use without further testing or modification.

Customers are responsible for the design and operation of their applications and products using NXP Semiconductors products, and NXP Semiconductors accepts no liability for any assistance with applications or customer product design. It is customer's sole responsibility to determine whether the NXP Semiconductors product is suitable and fit for the customer's applications and products planned, as well as for the planned application and use of customer's third party customer(s). Customers should provide appropriate design and operating safeguards to minimize the risks associated with their applications and products.

NXP Semiconductors does not accept any liability related to any default, damage, costs or problem which is based on any weakness or default in the customer's applications or products, or the application or use by customer's third party customer(s). Customer is responsible for doing all necessary testing for the customer's applications and products using NXP Semiconductors products in order to avoid a default of the applications and the products or of the application or use by customer's third party customer(s). NXP does not accept any liability in this respect.

**Limiting values** — Stress above one or more limiting values (as defined in the Absolute Maximum Ratings System of IEC 60134) will cause permanent damage to the device. Limiting values are stress ratings only and (proper) operation of the device at these or any other conditions above those given in the Recommended operating conditions section (if present) or the Characteristics sections of this document is not warranted. Constant or repeated exposure to limiting values will permanently and irreversibly affect the quality and reliability of the device.

**Terms and conditions of commercial sale** — NXP Semiconductors products are sold subject to the general terms and conditions of commercial sale, as published at <http://www.nxp.com/profile/terms>, unless otherwise agreed in a valid written individual agreement. In case an individual agreement is concluded only the terms and conditions of the respective agreement shall apply. NXP Semiconductors hereby expressly objects to applying the customer's general terms and conditions with regard to the purchase of NXP Semiconductors products by customer.

**No offer to sell or license** — Nothing in this document may be interpreted or construed as an offer to sell products that is open for acceptance or the grant, conveyance or implication of any license under any copyrights, patents or other industrial or intellectual property rights.

**Quick reference data** — The Quick reference data is an extract of the product data given in the Limiting values and Characteristics sections of this document, and as such is not complete, exhaustive or legally binding.

**Export control** — This document as well as the item(s) described herein may be subject to export control regulations. Export might require a prior authorization from competent authorities.

**Translations** — A non-English (translated) version of a document is for reference only. The English version shall prevail in case of any discrepancy between the translated and English versions.

NXP, the NXP logo, NXP SECURE CONNECTIONS FOR A SMARTER WORLD, Freescale, the Freescale logo, Kinetic, are trademarks of NXP B.V. All other product or service names are the property of their respective owners. AMBA, Arm, Arm7, Arm7TDMI, Arm9, Arm11, Artisan, big.LITTLE, Cordio, CoreLink, CoreSight, Cortex, DesignStart, DynamIQ, Jazelle, Keil, Mali, Mbed, Mbed Enabled, NEON, POP, RealView, SecurCore, Socrates, Thumb, TrustZone, ULINK, ULINK2, ULINK-ME, ULINK-PLUS, ULINKpro,  $\mu$ Vision, Versatile are trademarks or registered trademarks of Arm Limited (or its subsidiaries) in the US and/or elsewhere. The related technology may be protected by any or all of patents, copyrights, designs and trade secrets. All rights reserved. Oracle and Java are registered trademarks of Oracle and/or its affiliates. The Power Architecture and Power.org word marks and the Power and Power.org logos and related marks are trademarks and service marks licensed by Power.org.

© 2021–2022 NXP B.V.

Document Number KE1xZP100M72SF1  
Revision 2.1, 02/2022

