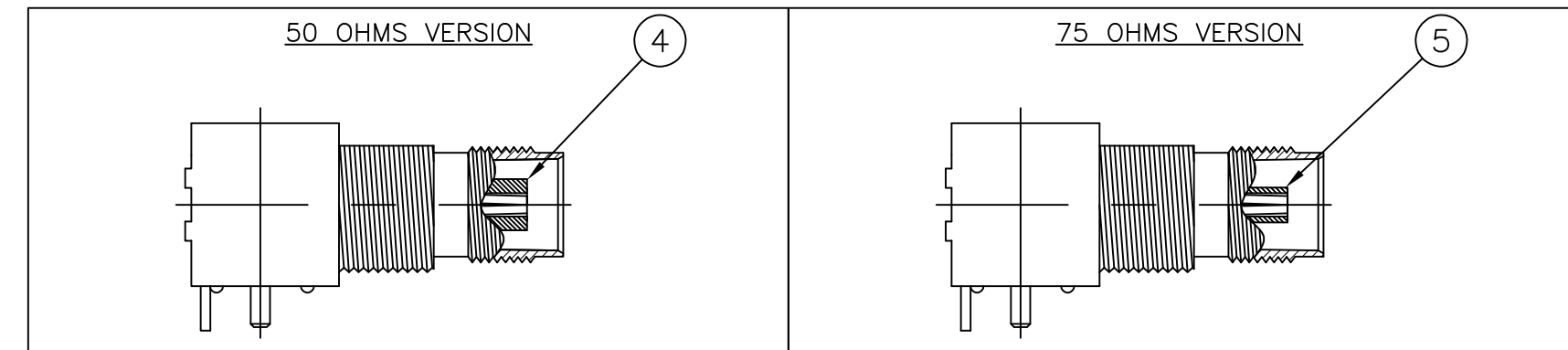
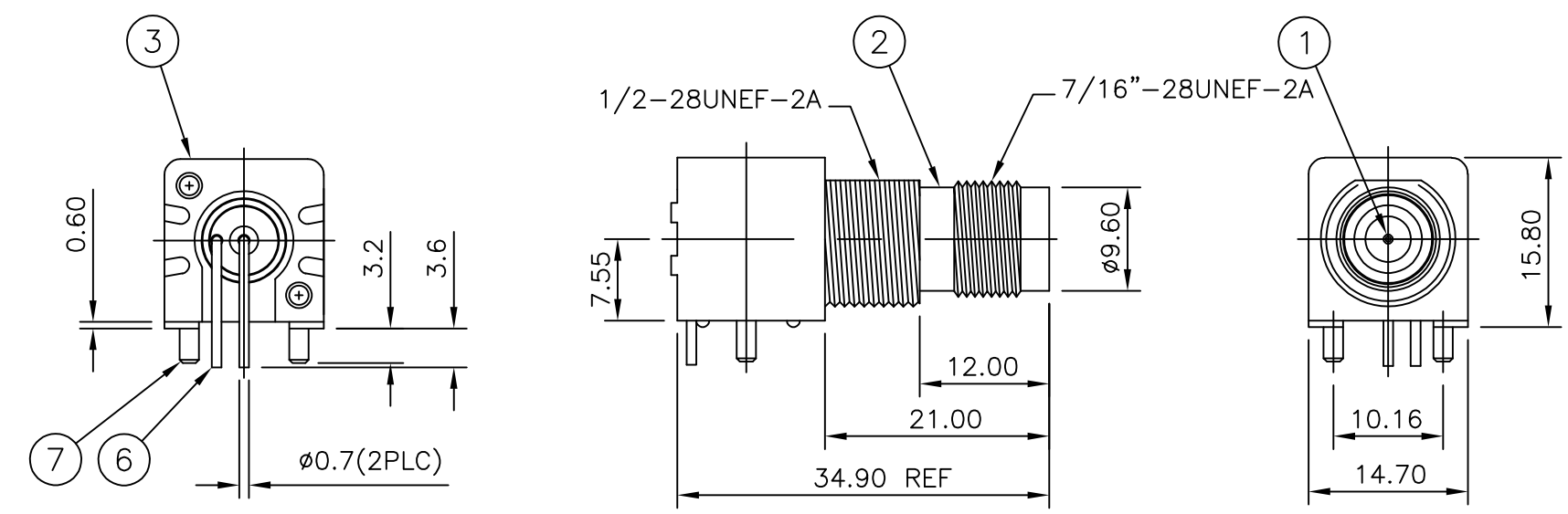


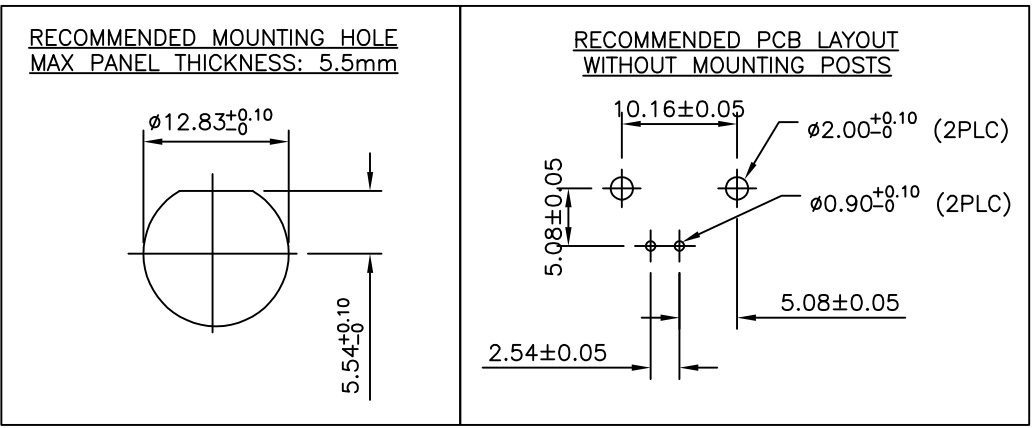
THIS DRAWING IS UNPUBLISHED. RELEASED FOR PUBLICATION OCTOBER ,2006.
 © COPYRIGHT 2006 By - ALL RIGHTS RESERVED.

LOC	DIST	REVISIONS			
P	LTR	DESCRIPTION	DATE	DWN	APVD
E	B	C1	REVISED PER ECO-11-005033	01APR11	RK HMR
		D	REVISED PER ECO-12-009395	17MAY12	TITAN MARTIN

- NOTES:**
- 1 SINGLE PACK IN ACCORDANCE WITH AMP SPEC 107-3275
 - 2 50 TRAY PACK IN ACCORDANCE WITH AMP SPEC 107-3275
 - 3 Au PLATING
 - 4 Ni PLATING
 - 5 RECOMMENDED MOUNT NUT 1-1634816-0
 - 6 RECOMMENDED LOCKWASHER 1-1634817-0
 - 7 FOR TECHNICAL DATA REFER TO YOUR LOCAL TE CONNECTIVITY SALES OFFICE
 - 8 ALL DIMENSIONS ARE NOMINAL FOR REFERENCE ONLY UNLESS OTHERWISE STATED



	Obsolete	Obsolete	Obsolete					
	2	2	2	2	BRASS	▲	MOUNTING POST	7
	1	1	1	1	BRASS	▲	SOLDER TAIL	6
	1	1	-	-	PE-606		INSULATOR	5
	-	-	1	1	PE-606		INSULATOR	4
	1	1	1	1	POLYESTER WHITE		BODY	3
	1	1	1	1	ZINC ALLOY	▲	BODY	2
	1	1	1	1	PHOS BRONZE	▲	CONTACT	1
	5--3	5--2	5--1	5--0	MATERIAL		DESCRIPTION	ITEM
	▲	▲	▲	▲				



THIS DRAWING IS A CONTROLLED DOCUMENT.		DWN RITA ZUO 11 Mar 09	TE Connectivity TNC R/A INSULATED PCB SOCKET 50 & 75 OHM	
DIMENSIONS: mm		CHK ANSON MA 11 Mar 09		
TOLERANCES UNLESS OTHERWISE SPECIFIED:		APVD BOB ZHAO 11 Mar 09	NAME	
0 PLC ± -		PRODUCT SPEC	108-112000	
1 PLC ± -		APPLICATION SPEC	-	
2 PLC ± -		SIZE	CAGE CODE	DRAWING NO
3 PLC ± -		WEIGHT	A300779	C-1814807
4 PLC ± -		CUSTOMER DRAWING		
ANGLES ± -		SCALE	SHEET	REV
FINISH ± -		NTS	1 OF 1	D
MATERIAL SEE TABLE	FINISH SEE TABLE			