

⚡ (f)N\_pr Lsk`cp8 J @4010+1. B J V?+?

⚡ (f)Qpsarspc8 Rfc J CB jgef r `p knsl rcb J CB bgac &`\_pc afgn' nh qs`qrp\_rc `w\_pp\_w  
Ⓞ1qcpq\_j On\_p\_jj\_cj OanjnpⓄ

⚡ (f)?nnj ga\_rgnh8 J gef rgl e qns pac

⚡ (f)K\_vgksk Anh bgr gnh Ⓞ | ■ ⚡ ⚡ ⚡ Ⓞ

Grck	Qvk`nj	Anh bgr gnh	Sl gr
?bkgqag`gj grw bgagn_rgnh ⚡ /	Nm	2, 10	⚡
Dnpu_pb Asppcl r ⚡ /	G <sub>b</sub>	., 2	⚡
Mncp_rgnh Rckncp_rspc	R <sub>nm</sub>	+1. Ⓞ) 63	⚡
Npcqcp_t_rgnh Rckncp_rspc	R <sub>qre</sub>	+2. Ⓞ) / ..	⚡
Hsl argnh Rckncp_rspc	Rh	/ 03	⚡

⚡ / (h)nh c anjnpⓄ B943. .I - J 905. .I Ⓞ

⚡ (f)Cj carpga\_j \_l b nmrga\_j Af\_p\_arcpqrgaq Ⓞ | ■ ⚡ ⚡ ⚡ Ⓞ

Grck	Qvk`nj	Kgl ,	Rwn,	K_v,	Sl gr	Anh bgr gnh
Dnpu_pb Tnjr_ec ⚡ 0	<sub>D</sub>	5, 73	6, 5.	7, 23	T	G <sub>b</sub> / 3. k?
J skgl nsq Dj sv &B' ⚡ 1	≠ <sub>t</sub>	/ 5/, 2	/ 54, 6	+	j k	G <sub>b</sub> / 3. k?
J skgl nsq Dj sv &J' ⚡ 1	≠ <sub>t</sub>	/ 24, 4	/ 3/, 0	+	j k	G <sub>b</sub> / 3. k?
Anj np Rckncp_rspcⓄBⓄ	R <sub>an</sub>	4. 03	42. 4	4565	I	G <sub>b</sub> / 3. k?
Anj np Rckncp_rspcⓄJ Ⓞ	R <sub>an</sub>	04/ 1	0517	064	I	G <sub>b</sub> / 3. k?
Bctg_rgnh Anj npⓄBⓄ	bst	) , . . . 7	) , . . . 26	) , . . . 64	+	G <sub>b</sub> / 3. k?
Bctg_rgnh Anj npⓄJ Ⓞ	bst	+ , . . . 12	) , . . . 2	) , . . . 2/	+	G <sub>b</sub> / 3. k?
Ecl cp_j Anj np Pcl bcpgl e G bcv	■ -	53	6.	+	+	G <sub>b</sub> / 3. k?

⚡ / (h)kc\_qspckcl r r nj cp\_l ac(h) | 1 |

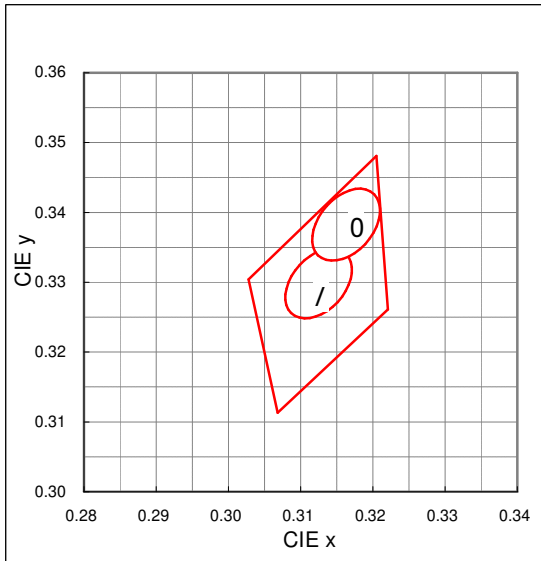
⚡ 0(h)kc\_qspckcl r r nj cp\_l ac(h) | 5 |

⚡ Rfcqc b\_r\_ \_pc kc\_qspcb `w\_ kc\_qspgl e cosgnkcl r anknj vgl e ugrf AGC/ 03 Anh bgr gnh Ⓞ

BCQ&L	AFCAI	?NNPMT?J	DATE: 2012/9/6	SPECIFICATION No.: R_pecr QNCA
			REV. A	<b>ROHM Co.,Ltd.</b>

† (f) Af pnk\_rgagr w anmpbgl\_rc ④ | ■ r † † † † (c) GD r † † † † † † (c) kc\_qspckcl r rmj cp\_l ac(h) | , , , , 3 ④

的 B 9 43. . I



Af pnk\_rgagr w  
anmpbgl\_rcq Nngl r

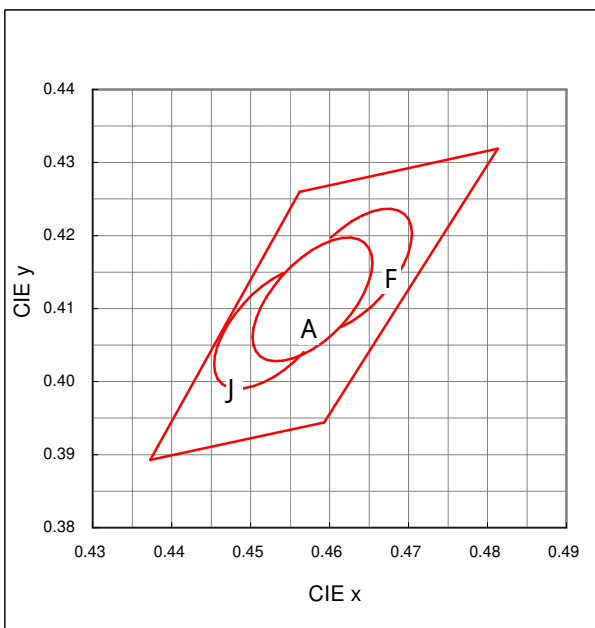
? L QGA56,155(b) r\_l b\_ pb

43. . I +††	
v	w
. ,1/41	. ,1160
43. . I +††	
v	w
. ,1/03	. ,1076
† K_a? b_k cijgnqc ±qrcn	

J @D40(	
43. . I	
v	w
. ,1.46	. ,1/11
. ,100/	. ,104/
. ,10.3	. ,126/
. ,1.06	. ,11.2
acl rcpnng r @,1/01*,1060'	

: P\_l ec ugfg / @\_p<  
v 8P† . , /3  
w 8P† . , . 0.  
& ; k\_v+k g'

盱 J 9 05. . I



Af pnk\_rgagr w  
anmpbgl\_rcq Nngl r

? L QGA56,155(b) r\_l b\_ pb

05. . I +F	
v	w
. ,2406	. ,2/3.
05. . I +A	
v	w
. ,23563	. ,2/1/3
05. . I +J	
v	w
. ,2307	. ,2.51
† K_a? b_k cijgnqc 2qrcn	

J @D40(	
05. . I	
v	w
. ,2151	. ,1671
. ,2371	. ,1722
. ,26/1	. ,21/7
. ,2340	. ,204.
acl rcpnng r @,2356*,2/ . /'	

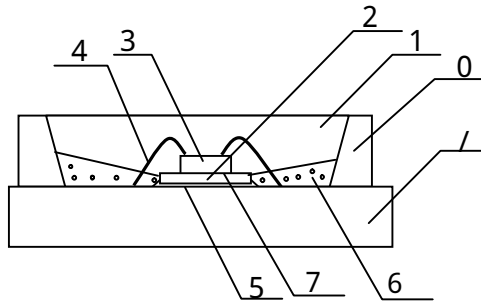
: P\_l ec ugfg / @\_p<  
v 8P† . , /3  
w 8P† . , . 0.  
& ; k\_v+k g'

Rfc npntsar rf\_r gq j na\_rcb gl rfc qos\_pc ? cvacnr dmp rfc \_pc\_ nml rfc K\_a? b\_k cijgnqcq  
gq rm `c bgqasqqcb dmp q\_j cq,

† Anjnp p\_li

anjnp p_li		2700K		
		L	C	H
6500K	1	L1	C1	H1
	2	L2	C2	H2

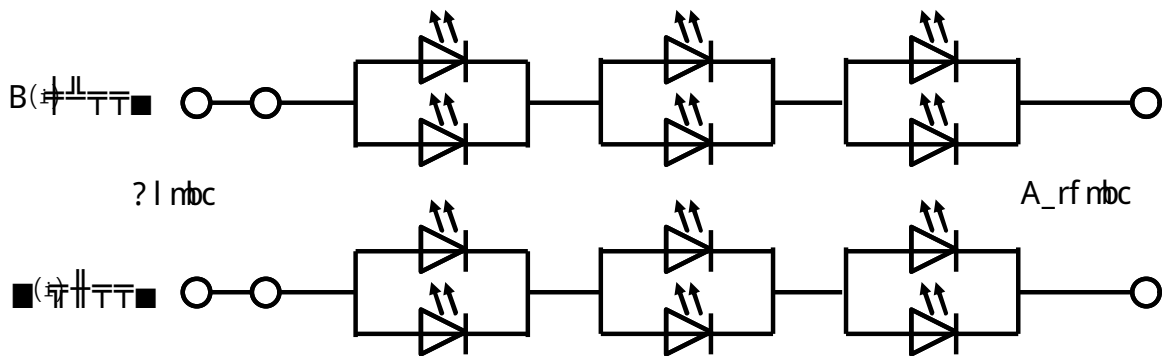
‡ , Qpsarspc



Lm	N_prq L_kc	K_rcpg_j
/	Qs`qrp_rc	ACK+1 Qs`qrp_rc
0	Ufgrc Pcqgl	Qgj gamh c Pcqgl
1	Pcqgl	Qgj gamh c Pcqgl
2	Qs`Knslr Qs`qrp_rc	Qg
3	J CB Bgc	Gl E_L mh Q nnf gpc
4	@mh bgl e Ugpc	?s
5	Bgc @mh b	?e
6	Ufgrc Pcqgl	Qgj gamh c Pcqgl @RgM⊕
7	Bgc @mh b	Qgj gamh c Pcqgl

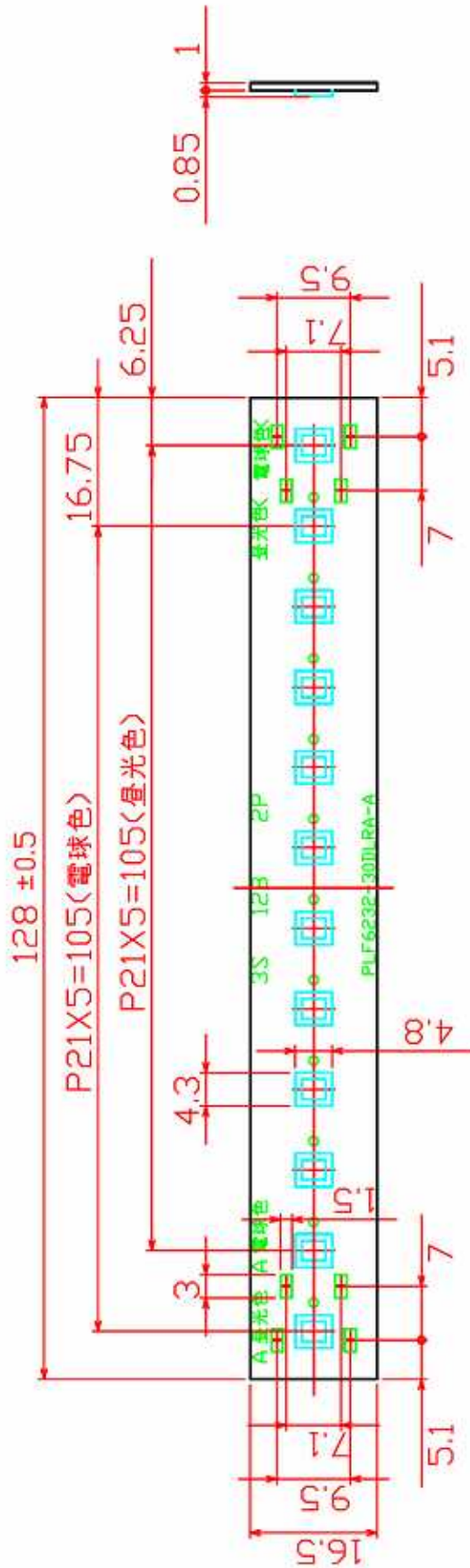
‡ (f) Agpasgr Bg\_ep\_k

1 qcpg\_j 0 n\_p\_jjcj



⌒ (f) Bgkcl qgnh

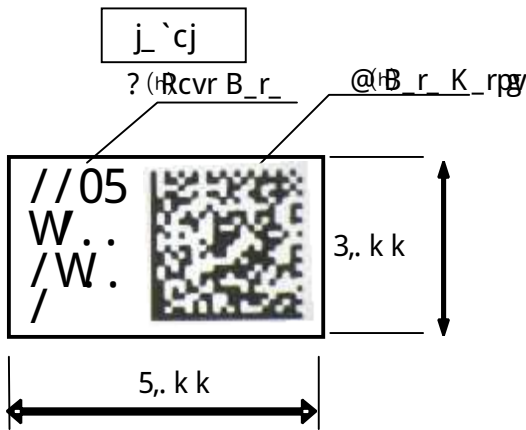
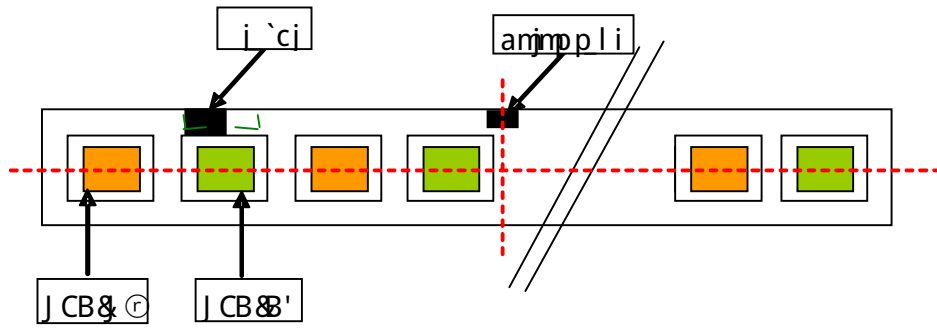
(Unit: mm)



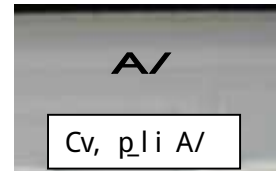
Rmjcpl ac8 .,1



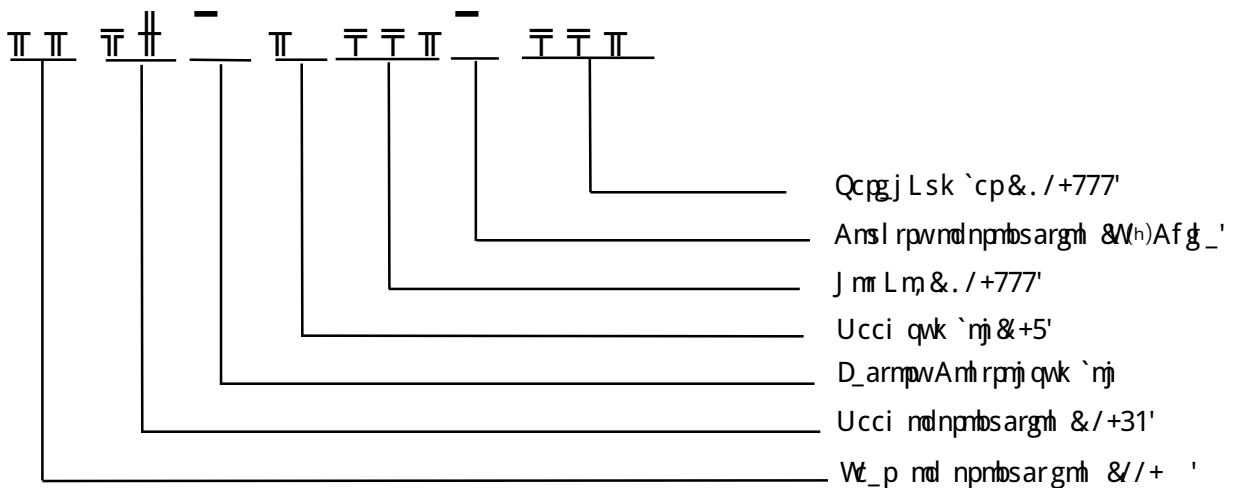
ππ, Npmsar J\_`cj



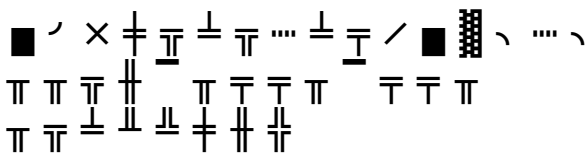
Anjppli &/j0\*/A0\*/#0'



[A] Text Data



[B] Data Matrix

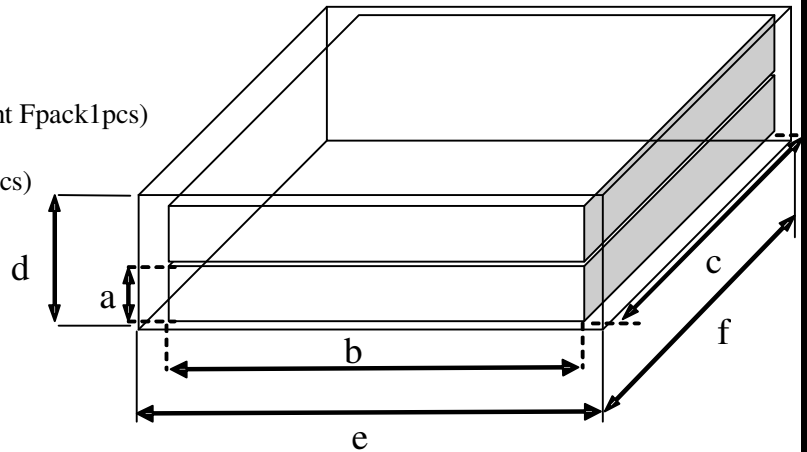


(16grids) Part Number  
(13grids) Lot Number  
(8grids) Factory Control Part

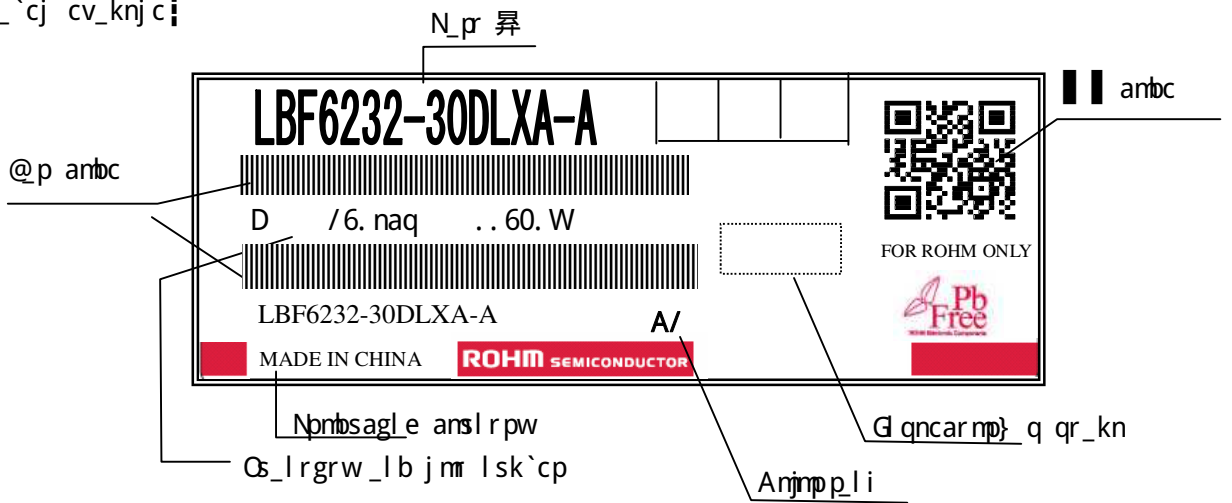
π π (f)N<sub>ai</sub> gl e

|| N<sub>ai</sub>\_ec ||

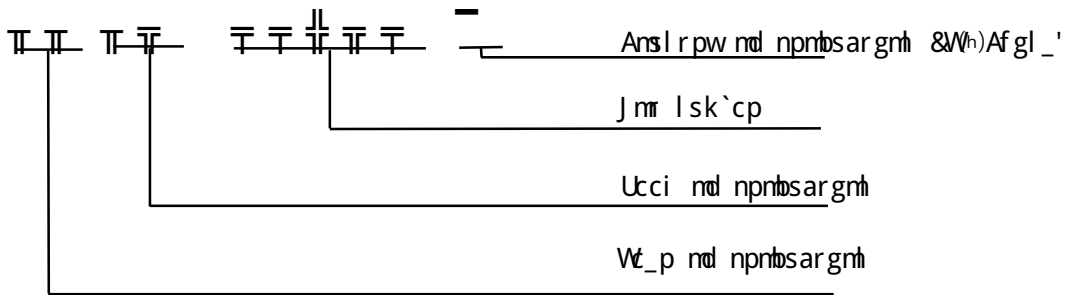
- (1) 18 Bars are on one film tray.
- (2) Inner package size (Fpack10pcs+vacant Fpack1pcs)  
(a)60 x (b)300 x (c)343 (Unit: mm)
- (3) Outer package size(inner package || 2pcs)  
(d)155 x (e)313 x (f)353 (Unit: mm)



|| J\_`cj cv\_knj c ||



|| J m r l sk`cp cv\_knj c ||



|| K\_l sd\_arspgl e d\_arnpw &ans l rpw n d n p r t s a r g n t h ||

(g)PMFK QCKGAMLBSARMP AFGL? AM \*J RB, © Af gl \_ ①