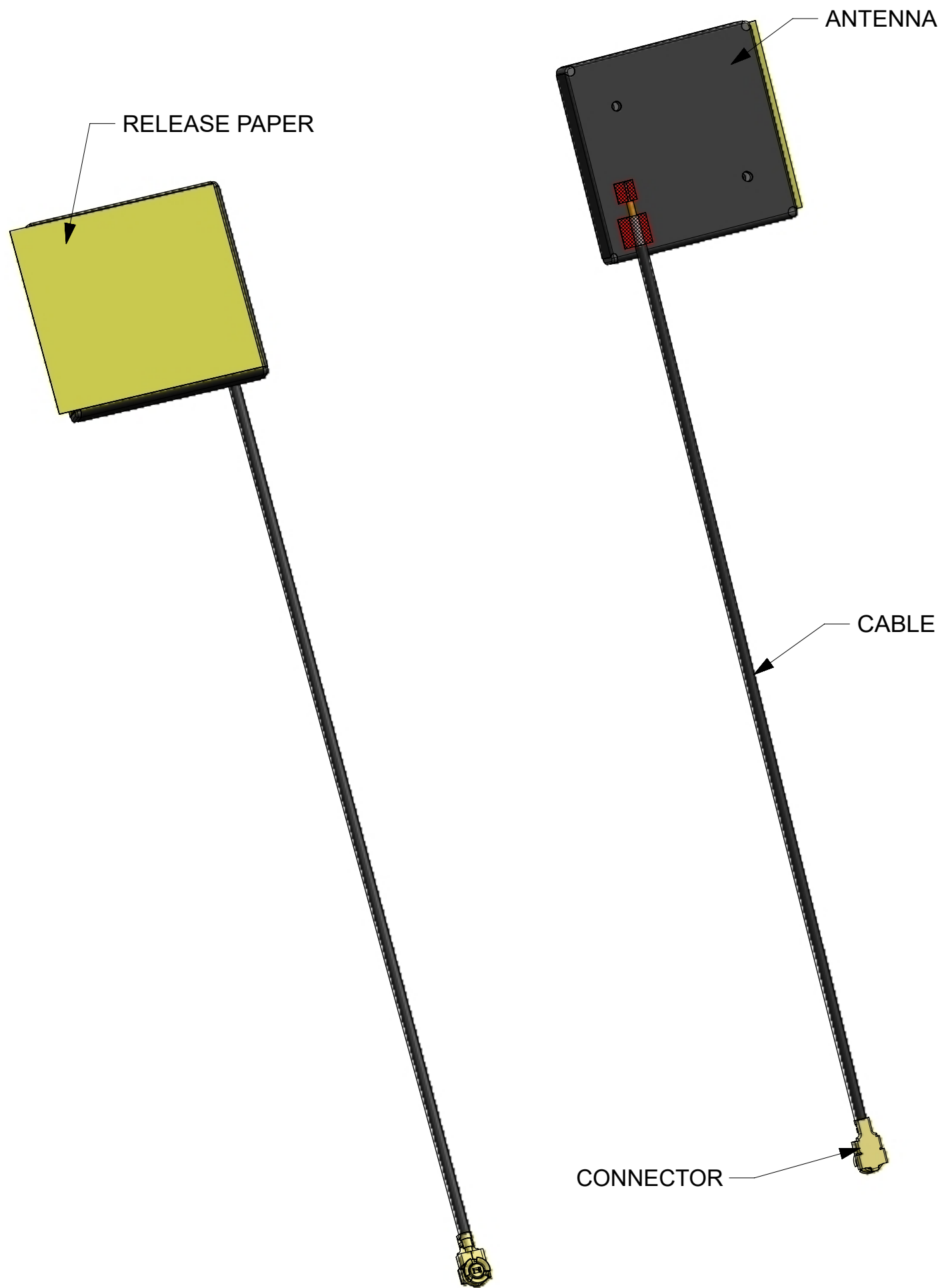


REV.	DATE	CHANGE DESCRIPTION
A	2020/05/14	NEW RELEASE

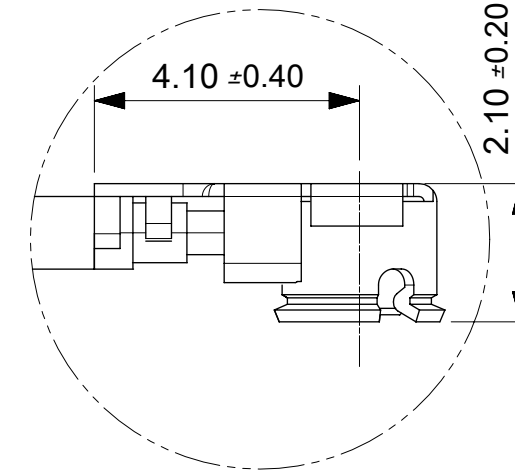
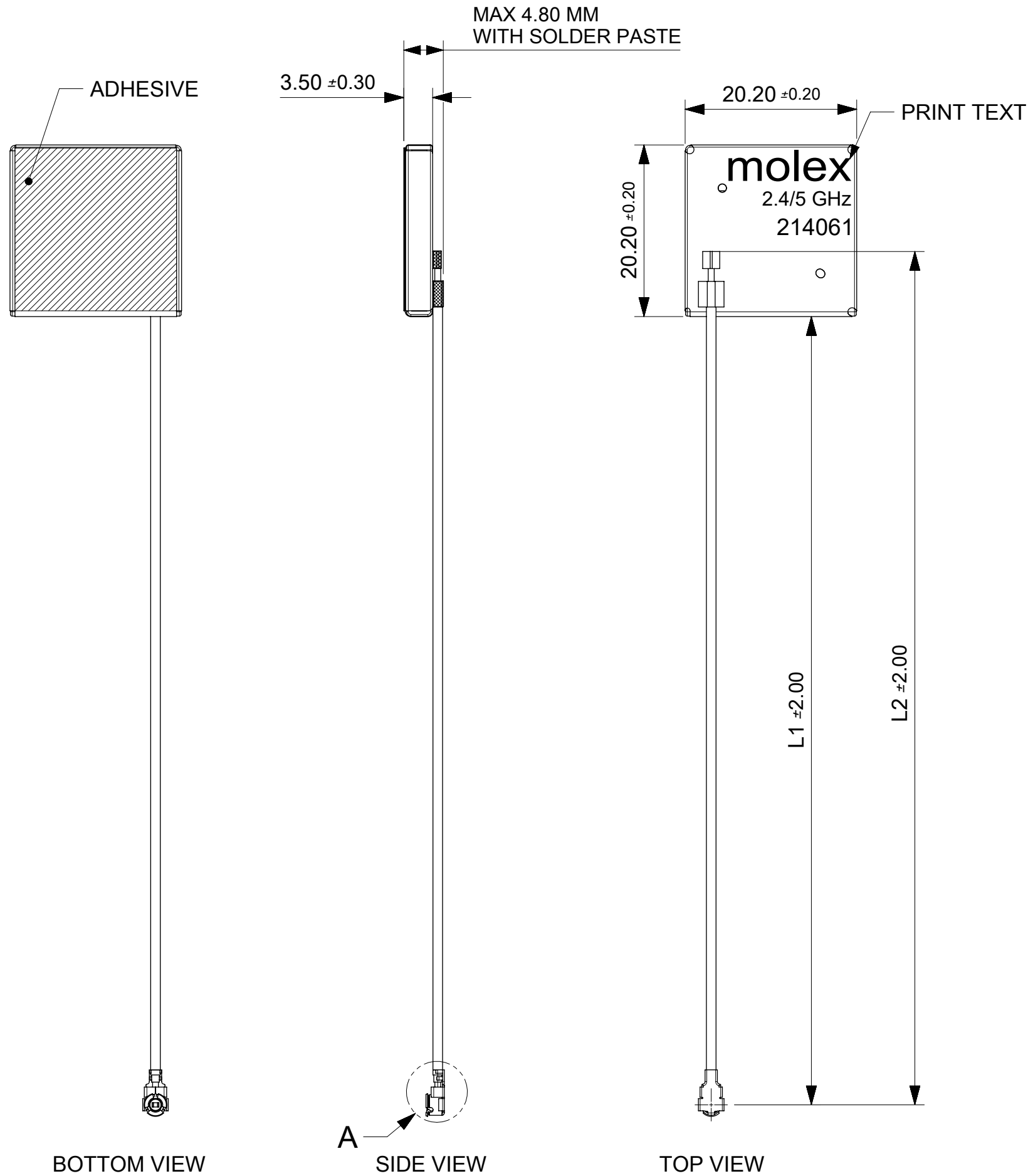


NOTES:

1. ANTENNA COLOR:BLACK.
2. CABLE : \varnothing 1.13mm.
3. CONNECTOR MATERIAL:I-PEX MHF I (PLUG GOLD PLATED).
4. ANTENNA ADHESIVE:TESA 68905 (THICKNESS:50um).
5. RELEASE PAPER COLOR:YELLOW.

SYMBOLS	THIS DRAWING CONTAINS INFORMATION THAT IS PROPRIETARY TO MOLEX ELECTRONIC TECHNOLOGIES, LLC AND SHOULD NOT BE USED WITHOUT WRITTEN PERMISSION		CURRENT REV DESC:			molex		
	DIMENSION UNITS	SCALE						
$\nabla = 0$	mm	1:1	EC NO: 637758 DRWN: KCHENG06 2020/05/14 CHK'D: XJSONG 2020/07/03 APPR: XJSONG 2020/07/03			PRODUCT CUSTOMER DRAWING		
$\nabla = 0$	GENERAL TOLERANCES (UNLESS SPECIFIED)					DOCUMENT NUMBER		
$\nabla = 0$	ANGULAR TOL \pm °		INITIAL REVISION: DRWN: KCHENG06 2020/05/14 APPR: XJSONG 2020/07/03			2140610150		
$\nabla = 0$	4 PLACES	\pm				SEE TABLE		
$\nabla = 0$	3 PLACES	\pm 0.25	THIRD ANGLE PROJECTION			SERIES		
$\nabla = 0$	2 PLACES	\pm 0.3						
$\nabla = 0$	1 PLACE	\pm 0.5	MATERIAL NUMBER			GENERAL MARKET		
$\nabla = 0$	0 PLACES	\pm						
$\square = 0$	DRAFT WHERE APPLICABLE MUST REMAIN WITHIN DIMENSIONS		214061			1 OF 2		

REV.	DATE	CHANGE DESCRIPTION
A	2019/12/19	NEW RELEASE



DETAIL A SCALE 17:2
CONNECTOR

ITEM	MATERIAL P/N	"L1"LENGTH	"L2"LENGTH
1	2140610100	92 MM	100 MM
2	2140610150	142 MM	150 MM
3	2140610200	192 MM	200 MM

- NOTES:
1. PRINT TEXT:COLOR WHITE.
2. CABLE LENGTH SEE TABLE A.

SYMBOLS DIMENSION UNITS: mm SCALE: 1:1 GENERAL TOLERANCES (UNLESS SPECIFIED): ANGULAR TOL: ± ° 4 PLACES: ± 3 PLACES: ± 0.25 2 PLACES: ± 0.3 1 PLACE: ± 0.5 0 PLACES: ± DRAFT WHERE APPLICABLE MUST REMAIN WITHIN DIMENSIONS THIRD ANGLE PROJECTION	THIS DRAWING CONTAINS INFORMATION THAT IS PROPRIETARY TO MOLEX ELECTRONIC TECHNOLOGIES, LLC AND SHOULD NOT BE USED WITHOUT WRITTEN PERMISSION			CURRENT REV DESC:					
	EC NO: 637758			2020/05/14					
	DRWN: KCHENG06			2020/07/03			PRODUCT CUSTOMER DRAWING		
	CHK'D: XJSONG			2020/07/03			DOCUMENT NUMBER		
APPR: XJSONG			2020/07/03			2140610150			
INITIAL REVISION:			2020/05/14			DOC TYPE			
DRWN: KCHENG06			2020/07/03			PSD			
APPR: XJSONG			2020/07/03			DOC PART			
SERIES			214061			REVISION			
MATERIAL NUMBER			SEE TABLE			A			
CUSTOMER			GENERAL MARKET			SHEET NUMBER			
DRAWING			A3-SIZE			2 OF 2			