



General Description

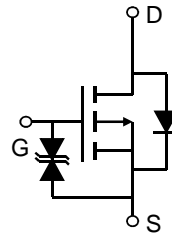
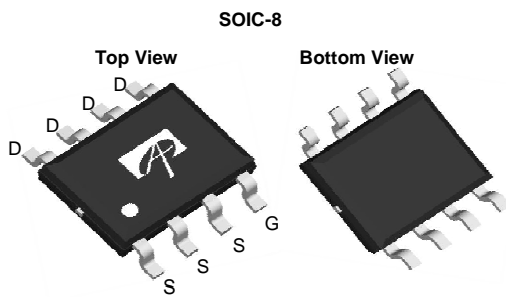
The AO4455 uses advanced trench technology to provide excellent $R_{DS(ON)}$, and ultra-low gate charge with a 25V gate rating. This device is suitable for use as a load switch or in PWM applications.

* RoHS and Halogen-Free Compliant

Product Summary

V_{DS} (V) = -30V
 I_D = -17A ($V_{GS} = -20V$)
 $R_{DS(ON)} < 6.2m\Omega$ ($V_{GS} = -20V$)
 $R_{DS(ON)} < 7.2m\Omega$ ($V_{GS} = -10V$)

ESD Protected
 100% UIS tested
 100% Rg tested



Absolute Maximum Ratings $T_A=25^\circ C$ unless otherwise noted

Parameter	Symbol	Maximum	Units
Drain-Source Voltage	V_{DS}	-30	V
Gate-Source Voltage	V_{GS}	± 25	V
Continuous Drain Current ^{AF}	I_D	$T_A=25^\circ C$	-17
		$T_A=70^\circ C$	-14
Pulsed Drain Current ^B	I_{DM}	-182	A
Power Dissipation ^A	P_D	$T_A=25^\circ C$	3.1
		$T_A=70^\circ C$	2
Junction and Storage Temperature Range	T_J, T_{STG}	-55 to 150	$^\circ C$

Thermal Characteristics

Parameter	Symbol	Typ	Max	Units
Maximum Junction-to-Ambient ^{AF}	$R_{\theta JA}$	$t \leq 10s$	26	$^\circ C/W$
Maximum Junction-to-Ambient ^A		Steady-State	50	$^\circ C/W$
Maximum Junction-to-Lead ^C	$R_{\theta JL}$	14	24	$^\circ C/W$

Electrical Characteristics (T_J=25°C unless otherwise noted)

Symbol	Parameter	Conditions	Min	Typ	Max	Units
STATIC PARAMETERS						
BV _{DSS}	Drain-Source Breakdown Voltage	I _D =-250μA, V _{GS} =0V	-30			V
I _{DSS}	Zero Gate Voltage Drain Current	V _{DS} =-30V, V _{GS} =0V T _J =55°C			-1 -5	μA
I _{GSS}	Gate-Body leakage current	V _{DS} =0V, V _{GS} =±20V			±1	μA
		V _{DS} =0V, V _{GS} =±25V			±10	μA
V _{GS(th)}	Gate Threshold Voltage	V _{DS} =V _{GS} , I _D =-250μA	-1.5	-2.1	-2.6	V
R _{DS(ON)}	Static Drain-Source On-Resistance	V _{GS} =-20V, I _D =-15A T _J =125°C		5 7.2	6.2 9	mΩ
		V _{GS} =-10V, I _D =-15A		5.7	7.2	mΩ
		V _{GS} =-6V, I _D =-10A		7.4	9.5	mΩ
g _{FS}	Forward Transconductance	V _{DS} =-5V, I _D =-15A		48		S
V _{SD}	Diode Forward Voltage	I _S =-1A, V _{GS} =0V		-0.7	-1	V
I _S	Maximum Body-Diode Continuous Current				-4.2	A
DYNAMIC PARAMETERS						
C _{iss}	Input Capacitance			2823	3400	pF
C _{oss}	Output Capacitance	V _{GS} =0V, V _{DS} =-15V, f=1MHz		574		pF
C _{riss}	Reverse Transfer Capacitance			424	600	pF
R _g	Gate resistance	V _{GS} =0V, V _{DS} =0V, f=1MHz	2.1	4.0	6.4	Ω
SWITCHING PARAMETERS						
Q _g	Total Gate Charge			54	76	nC
Q _{gs}	Gate Source Charge	V _{GS} =-10V, V _{DS} =-15V, I _D =-15A		9		nC
Q _{gd}	Gate Drain Charge			16		nC
t _{D(on)}	Turn-On Delay Time			12.5		ns
t _r	Turn-On Rise Time	V _{GS} =-10V, V _{DS} =-15V, R _L =1.0Ω,		12.5		ns
t _{D(off)}	Turn-Off Delay Time	R _{GEN} =3Ω		49		ns
t _f	Turn-Off Fall Time			109		ns
t _{rr}	Body Diode Reverse Recovery Time	I _F =-15A, dI/dt=100A/μs		22.3	32	ns
Q _{rr}	Body Diode Reverse Recovery Charge	I _F =-15A, dI/dt=100A/μs		8.8		nC

A: The value of R_{θJA} is measured with the device mounted on 1in 2 FR-4 board with 2oz. Copper, in a still air environment with T_A=25° C. The value in any given application depends on the user's specific board design.

B: Repetitive rating, pulse width limited by junction temperature.

C: The R_{θJA} is the sum of the thermal impedance from junction to lead R_{θJL} and lead to ambient.

D: The static characteristics in Figures 1 to 6 are obtained using <300 μs pulses, duty cycle 0.5% max.

E: These tests are performed with the device mounted on 1 in 2 FR-4 board with 2oz. Copper, in a still air environment with T_A=25° C. The SOA curve provides a single pulse rating.

F: The current rating is based on the t ≤ 10s junction to ambient thermal resistance rating.

THIS PRODUCT HAS BEEN DESIGNED AND QUALIFIED FOR THE CONSUMER MARKET. APPLICATIONS OR USES AS CRITICAL COMPONENTS IN LIFE SUPPORT DEVICES OR SYSTEMS ARE NOT AUTHORIZED. AOS DOES NOT ASSUME ANY LIABILITY ARISING OUT OF SUCH APPLICATIONS OR USES OF ITS PRODUCTS. AOS RESERVES THE RIGHT TO IMPROVE PRODUCT DESIGN, FUNCTIONS AND RELIABILITY WITHOUT NOTICE

TYPICAL ELECTRICAL AND THERMAL CHARACTERISTICS

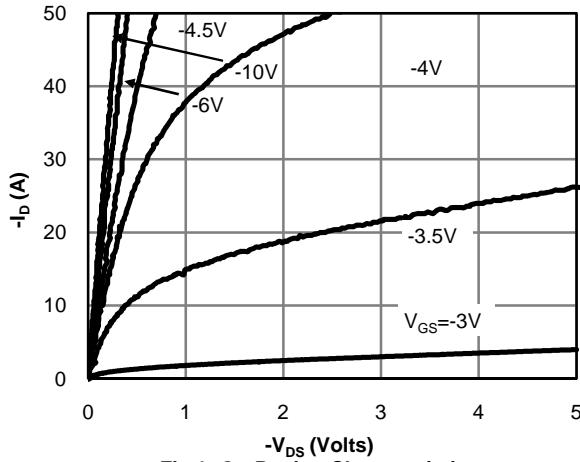


Fig 1: On-Region Characteristics

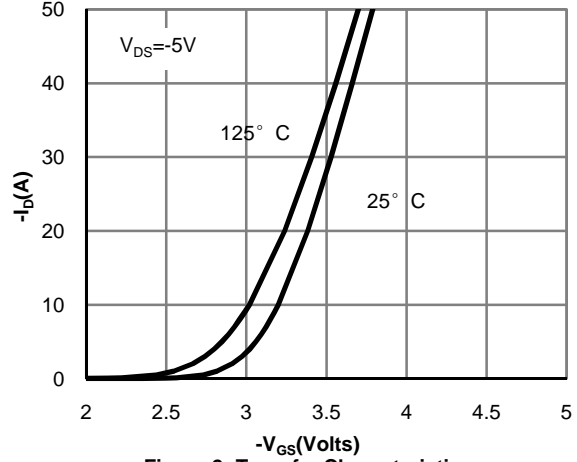


Figure 2: Transfer Characteristics

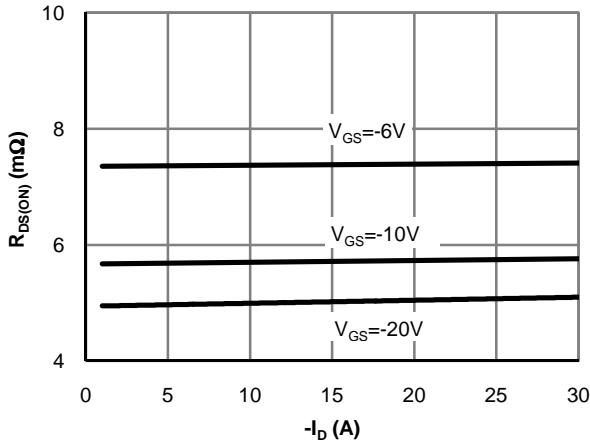


Figure 3: On-Resistance vs. Drain Current and Gate Voltage

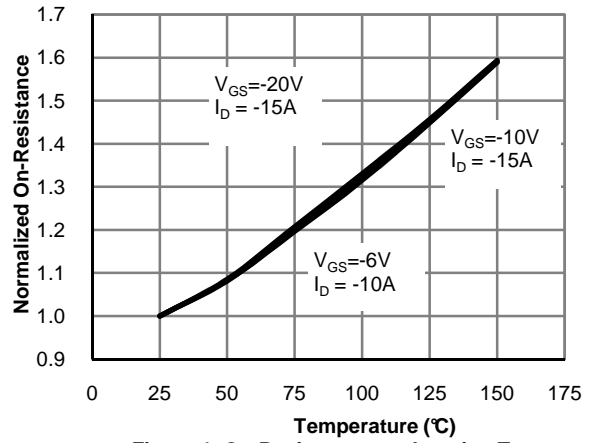


Figure 4: On-Resistance vs. Junction Temperature

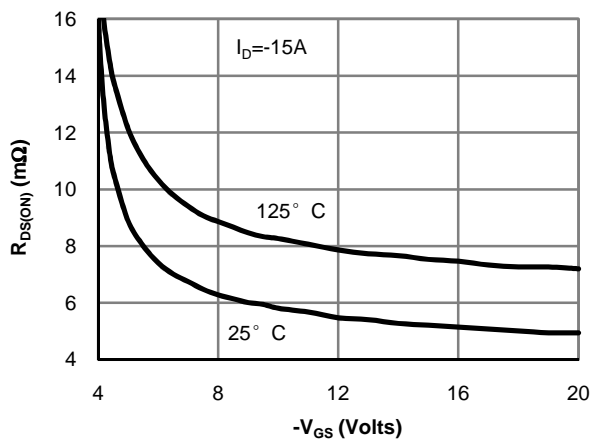


Figure 5: On-Resistance vs. Gate-Source Voltage

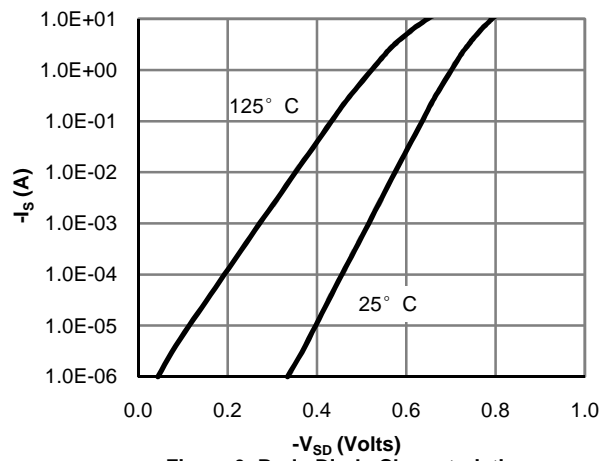


Figure 6: Body-Diode Characteristics

TYPICAL ELECTRICAL AND THERMAL CHARACTERISTICS

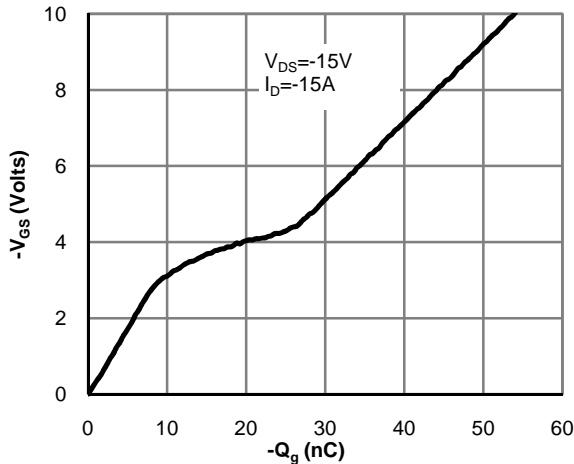


Figure 7: Gate-Charge Characteristics

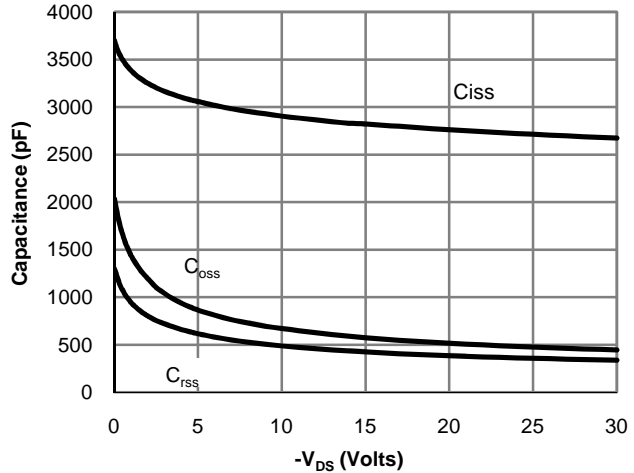


Figure 8: Capacitance Characteristics

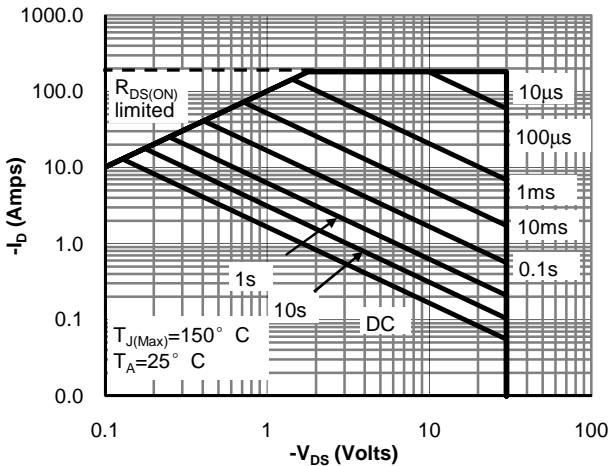


Figure 9: Maximum Forward Biased Safe

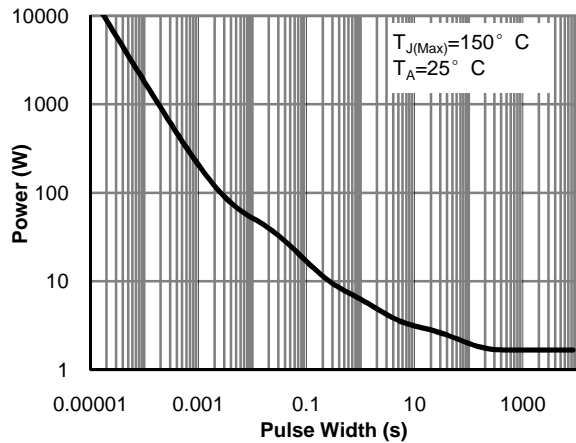


Figure 10: Single Pulse Power Rating Junction-to-Ambient (Note E)

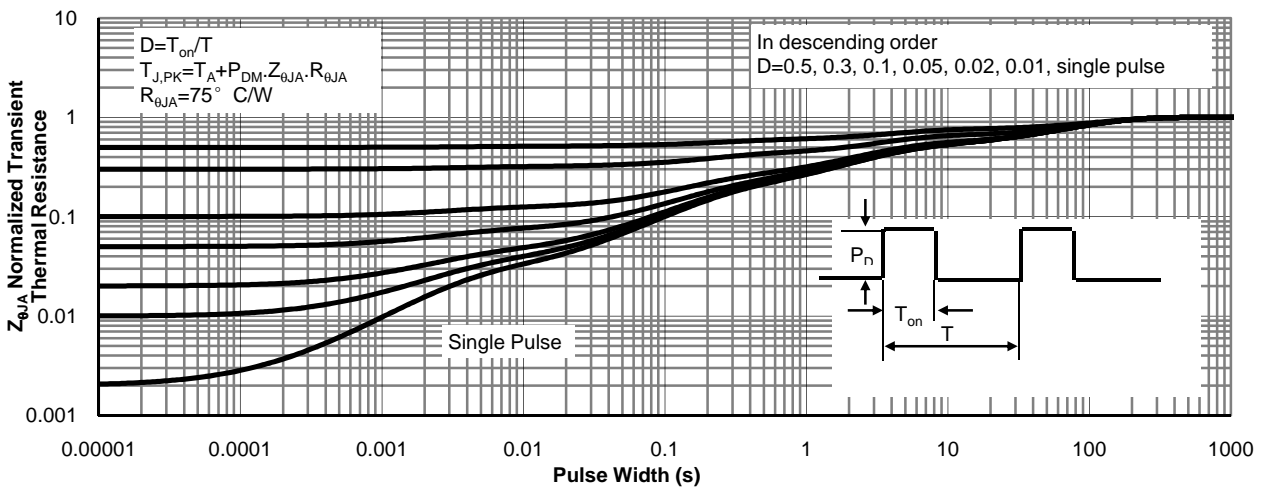
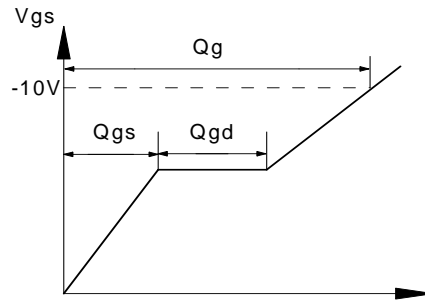
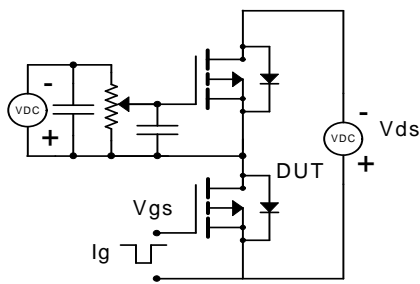
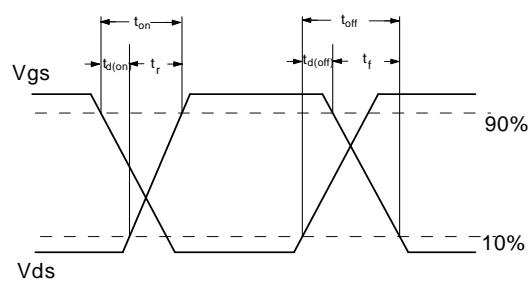
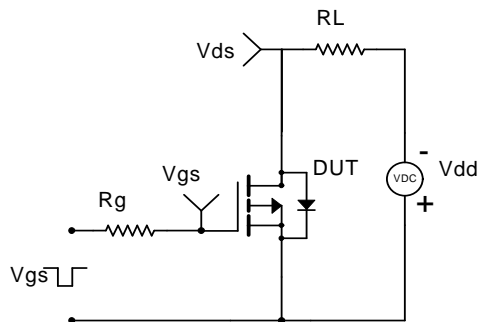


Figure 11: Normalized Maximum Transient Thermal Impedance

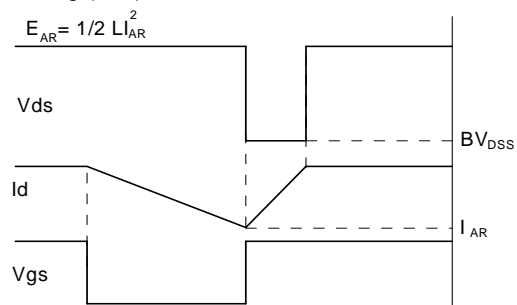
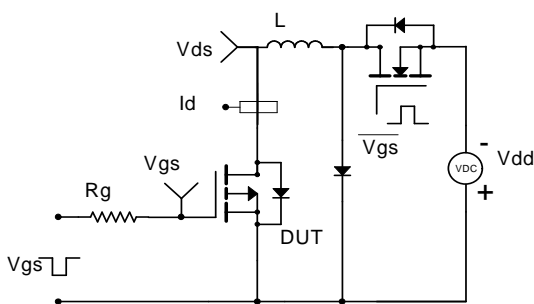
Gate Charge Test Circuit & Waveform



Resistive Switching Test Circuit & Waveforms



Unclamped Inductive Switching (UIS) Test Circuit & Waveforms



Diode Recovery Test Circuit & Waveforms

