

Intel® 81348 I/O Processor

Datasheet

Product Features

- Two Integrated Intel XScale® processors
 - 667 MHz, 800 MHz and 1.2 GHz
 - ARM* V5TE Compliant
 - Instruction/Data Cache: 32 KByte, 4-way Set Associative, NRU Replacement Algorithm, Lockable
 - Unified Level 2 Cache: 512 KByte Set Associative, NRU Replacement Algorithm
 - 128-Entry Branch Target Buffer
 - 8-Entry Write Buffer
 - 8-Entry Fill and Pend Buffer
- Internal Bus 128-bit wide at 333 MHz and 400 MHz depending on processor speed
- Can support either PCI-X or PCI Express* as an endpoint
- Can support both PCI-X Central Resource and PCI Express* Root Complex
- Support for PCI Express* Lane Widths of x1, x2, x4, x8
- Eight Serial-Attached SCSI links — also capable of supporting direct-attached SATA targets
- Integrated SRAM Memory Controller (1 MB); dedicated to the SAS transport
- Address Translation Unit
 - 2 KB or 4 KB Outbound Read Queue
 - 4 KB Outbound Write Queue
 - 4 KB Inbound Read and Write Queue
- Application DMA Controller
 - Three Independent Channels Connected to the MCU and the South Internal Bus
 - 4 KByte Data Transfer Queue
 - CRC 32C Calculation
 - Performs Optional XOR on Read Data
- Multi-ported Memory Controller
 - Intel XScale® processor inputs and north internal bus, south internal bus and ADMA input ports
 - PC3200 and PC4300 Double Data Rate (DDR2 400, DDR2 533)
 - Up to 2 GB of 64-bit DDR2 400, DDR2 533
 - Optional Single-bit Error Correction, Multi-bit Detection ECC Support
 - Supports Registered and Unbuffered DDR2 Memory
 - 36-bit Addressable
 - 32-bit Memory Support
- Two Programmable 32-bit Timers and Watchdog Timer
- Sixteen General Purpose I/O Pins
- Eight ACTIVITY/STATUS pairs — one per SAS port
- Three I²C Bus Interface Units
- Two UART (16550) Units
 - 64 Byte Receive and Transmit FIFOs
 - 4 pin Master/Slave Capable
- Peripheral Bus Interface
 - 8-, 16-bit Data Bus with Two Chip Selects
 - 25 Demultiplexed Address Lines
- Interrupt Controller Unit
 - Four Priority Levels
 - Interrupt Pending Register
 - Vector Generation
 - 16 External Interrupt Pins with High Priority Interrupt (HPI#)
- 1357-ball, Flip Chip Ball Grid Array (FCBGA), 37.5 mm x 37.5 mm and 1.0 mm ball pitch



INFORMATION IN THIS DOCUMENT IS PROVIDED IN CONNECTION WITH INTEL® PRODUCTS. NO LICENSE, EXPRESS OR IMPLIED, BY ESTOPPEL OR OTHERWISE, TO ANY INTELLECTUAL PROPERTY RIGHTS IS GRANTED BY THIS DOCUMENT. EXCEPT AS PROVIDED IN INTEL'S TERMS AND CONDITIONS OF SALE FOR SUCH PRODUCTS, INTEL ASSUMES NO LIABILITY WHATSOEVER, AND INTEL DISCLAIMS ANY EXPRESS OR IMPLIED WARRANTY, RELATING TO SALE AND/OR USE OF INTEL PRODUCTS INCLUDING LIABILITY OR WARRANTIES RELATING TO FITNESS FOR A PARTICULAR PURPOSE, MERCHANTABILITY, OR INFRINGEMENT OF ANY PATENT, COPYRIGHT OR OTHER INTELLECTUAL PROPERTY RIGHT. Intel products are not intended for use in medical, life saving, life sustaining, critical control or safety systems, or in nuclear facility applications.

Intel may make changes to specifications and product descriptions at any time, without notice. Designers must not rely on the absence or characteristics of any features or instructions marked "reserved" or "undefined." Intel reserves these for future definition and shall have no responsibility whatsoever for conflicts or incompatibilities arising from future changes to them. The information here is subject to change without notice. Do not finalize a design with this information.

The products described in this document may contain design defects or errors known as errata which may cause the product to deviate from published specifications. Current characterized errata are available on request.

Contact your local Intel sales office or your distributor to obtain the latest specifications and before placing your product order.

Copies of documents which have an order number and are referenced in this document, or other Intel literature, may be obtained by calling 1-800-548-4725, or by visiting [Intel's Web Site](#).

Intel processor numbers are not a measure of performance. Processor numbers differentiate features within each processor family, not across different processor families. See http://www.intel.com/products/processor_number for details.

Code Names are only for use by Intel to identify products, platforms, programs, services, etc. ("products") in development by Intel that have not been made commercially available to the public, i.e., announced, launched or shipped. They are never to be used as "commercial" names for products. Also, they are not intended to function as trademarks.

BunnyPeople, Celeron, Celeron Inside, Centrino, Centrino logo, Core Inside, FlashFile, i960, InstantIP, Intel, Intel logo, Intel386, Intel486, Intel740, IntelDX2, IntelDX4, IntelSX2, Intel Core, Intel Inside, Intel Inside logo, Intel Leap ahead, Intel Leap ahead logo, Intel NetBurst, Intel NetMerge, Intel NetStructure, Intel SingleDriver, Intel SpeedStep, Intel StrataFlash, Intel Viiv, Intel vPro, Intel XScale, Itanium, Itanium Inside, MCS, MMX, Oplus, OverDrive, PDCharm, Pentium, Pentium Inside, skool, Sound Mark, The Journey Inside, VTune, Xeon, and Xeon Inside are trademarks of Intel Corporation in the U.S. and other countries.

*Other names and brands may be claimed as the property of others.

Copyright © 2007, Intel Corporation. All rights reserved.



Contents

1.0	Introduction	7
1.1	About This Document	7
1.1.1	Terminology	7
1.1.2	Other Relevant Documents	7
2.0	Features	9
2.1	About the Intel® 81348 I/O Processor	9
2.2	Intel® 81348 I/O Processor Features	11
2.2.1	Host Interface	11
2.2.2	Internal Busses	12
2.2.3	Application DMA Controllers	12
2.2.4	Address Translation Unit	12
2.2.5	Messaging Unit	12
2.2.6	DDR2 Memory Controller	13
2.2.7	SRAM Memory Controller	13
2.2.8	Peripheral Bus Interface	13
2.2.9	I ² C Bus Interface Units	13
2.2.10	UART Units	13
2.2.11	Interrupt Controller Unit	13
2.2.12	XSI System Controller	14
2.2.13	Inter-Processor Communication	14
2.2.14	Timers	14
2.2.15	GPIO	14
3.0	Package Information	15
3.1	Package Introduction	15
3.2	Functional Signal Definitions	15
3.2.1	Signal Pin Descriptions	15
4.0	Electrical Specifications	62
4.1	V _{CCPLL} Pin Requirements	64
4.2	Targeted DC Specifications	66
4.3	Targeted AC Specifications	68
4.3.1	Clock Signal Timings	68
4.3.2	DDR2 SDRAM Interface Signal Timings	71
4.3.3	Peripheral Bus Interface Signal Timings	72
4.3.4	I ² C/SMBus Interface Signal Timings	73
4.3.5	PCI Bus Interface Signal Timings	74
4.3.6	PCI Express* Differential Transmitter (Tx) Output Specifications	75
4.3.7	PCI Express* Differential Receiver (Rx) Input Specifications	77
4.3.8	Boundary Scan Test Signal Timings	78
4.4	AC Timing Waveforms	79
4.5	Storage Interface Electrical Specifications	88



Figures

1	Intel® 81348 I/O Processor Functional Block Diagram	10
2	1357-Lead FCBGA Package (Top and Bottom Views)	40
3	Intel® 81348 I/O processor Ballout—Package Top (Left Side)	42
4	Intel® 81348 I/O processor Ballout—Package Top (Right Side)	43
5	Intel® 81348 I/O processor Ballout—Package Bottom (Left Side)	44
6	Intel® 81348 I/O processor Ballout—Package Bottom (Right Side)	45
7	V _{CC3P3PLLX} Low-Pass Filter	64
8	V _{CC1P2PLLS0} , V _{CC1P2PLLS1} Low-Pass Filter	65
9	V _{CC1P2PLLD} , V _{CC1P2PLLP} Low-Pass Filter	65
10	Clock Timing Measurement Waveforms	79
11	Output Timing Measurement Waveforms	80
12	Input Timing Measurement Waveforms	81
13	I ² C Interface Signal Timings	81
14	DDR2 SDRAM Write Timings	82
15	DQS Falling Edge Output Access Time to/from M _{CK} Rising Edge	82
16	DDR2 SDRAM Read Timings	83
17	AC Test Load for all Signals Except PCI, PCI-Express and DDR2 and Storage PHY	83
18	AC Test Load for DDR2 SDRAM Signals	83
19	PCI/PCI-X TOV(max) Rising Edge AC Test Load	84
20	PCI/PCI-X TOV(max) Falling Edge AC Test Load	84
21	PCI/PCI-X TOV(min) AC Test Load	84
22	Transmitter Test Load (100 Ω diff Load)	84
23	Transmitter Eye Diagram	85
24	Receiver Eye Opening (Differential)	85
25	PBI Output Timings	86
26	PBI External Device Timings (Flash)	87
27	Maximum Amplitude	89
28	Intel® 81348 I/O Processor Storage PHY 1.2 V/1.8 V Power Sequencing System Requirements	90



Tables

1	Pin Description Nomenclature	15
2	DDR2 SDRAM Signals	16
3	Peripheral Bus Interface Signals	18
4	Compact PCI Hot Swap Signals	19
5	PCI Bus Signals	20
6	PCI Express* Signals	23
7	Storage Interface Signals	24
8	Interrupt Signals	27
9	I ² C and SM Bus Signals	28
10	UART Signals	29
11	Miscellaneous Signals	31
12	Power and Ground Signals	32
13	Reset Strap Signals	33
14	Functional Pin Mode Behavior	36
15	Intel® 81348 I/O processor 1357-Lead Package—Alphabetical Ball Listings	46
16	Intel® 81348 I/O processor 1357-Lead Package—Alphabetical Signal Listings	54
17	Absolute Maximum Ratings	62
18	Operating Conditions	63
19	DC Characteristics	66
20	I _{CC} Characteristics	67
21	PCI Clock Timings	68
22	PCI Express* Clock Timings	69
23	DDR2 Output Clock Timings	70
24	DDR2 SDRAM Signal Timings	71
25	Peripheral Bus Interface Signal Timings	72
26	I ² C/SMBus Signal Timings	73
27	PCI Signal Timings	74
28	PCI Express* Rx Input Specifications	75
29	PCI Express* Tx Output Specifications	76
30	PCI Express* Rx Input Specifications	77
31	Boundary Scan Test Signal Timings	78
32	AC Measurement Conditions	83
33	Storage Interface Reference Clock Electrical Characteristics [S_CLKP0/S_CLKN0]	88
34	Storage Interface Transmitter Output Electrical Characteristics [S_TXP[7:0] S_TXN[7:0] ...	89
35	Storage Interface Receiver Input Electrical Characteristics [S_RXP[7:0] S_RXN[7:0]	90



Revision History

Date	Revision	Description
April 2007	002	Updated Legal page 2. Edited text in Section 2.2.2. Revise PCIXCAP description in Table 5. Updated Table 19 for Cgp, Cpcix, CDDR2 and Lpin values. Revised Table 18 for Tcase (Tc) maximum value to 100C. Revised Figure 28.
October 2006	001	Initial release.



1.0 Introduction

1.1 About This Document

This document is a reference guide for the external architecture of the Intel® 81348 I/O Processor (also known as the 81348).

1.1.1 Terminology

To aid the discussion of the 81348 architecture, the following terminology is used:

Downstream	At or toward a PCI bus with a higher number (after configuration)
Word	16 bits of data
Dword	32 bits of data
Qword	64 bits of data
Host processor	Processor located upstream from the 81348
Local processor	Intel XScale® processor within the 81348
Local bus	81348 internal bus
Local memory	Memory subsystem on the Intel XScale® microarchitecture, DDR2 SDRAM or Peripheral Bus Interface busses
Upstream	At or toward a PCI bus with a lower number (after configuration)

1.1.2 Other Relevant Documents

1. *Intel XScale® Microarchitecture Developer's Manual* (Order Number 273473)—Intel Corporation
2. *PCI Local Bus Specification*, Revision 2.3—PCI Special Interest Group
3. *PCI-X Addendum to the PCI Local Bus Specification, Revision 2.0a*—PCI Special Interest Group
4. *PCI Hot-Plug Specification*, Revision 1.0—PCI Special Interest Group
5. *PCI Bus Power Management Interface Specification*, Revision 1.1—PCI Special Interest Group
6. *PCI Express Specification*, Revision 1.0a—PCI Special Interest Group





2.0 Features

2.1 About the Intel® 81348 I/O Processor

The 81348 is a single- or dual-function PCI device that integrates two Intel XScale® processors with intelligent peripherals including a PCI bus interface and eight Serial-Attached SCSI (SAS) engines. The 81348 also supports two internal busses: North XSI bus and South XSI bus. With the two internal busses, transactions can take place simultaneously on each bus. The north XSI bus provides the two Intel XScale® processors with low-latency access to either the DDR2 SDRAM Memory Controller, the on-chip SRAM Memory Controller, or the SAS Engines control registers. Peripherals that generate large burst transactions are located on the south XSI bus, thus allowing the two Intel XScale® processors exclusive access to the north XSI bus.

The 81348 consolidates the following features into a single system:

- Two Intel XScale® processors running at speeds up to 1.2 GHz
- Eight Serial Protocol Links capable of Serial-Attached SCSI (SAS) or Serial ATA (SATA) operation
- PCI-Local Memory Bus Address Translation Unit, function 0 programming interface
- Messaging Unit, function 0 programming interface
- Application Direct Memory Access (DMA) Controller (including offload for up to a 16-source XOR operation)
- Transport DMA Controllers
- Peripheral Bus Interface Unit
- Integrated DDR2 Memory Controller
- Integrated SRAM Memory Controller
- Two programmable timers per Intel XScale® processor
- Watchdog timer per Intel XScale® processor
- Three I²C Bus Interface Units
- Two Serial Port Units
- Sixteen General-Purpose Input/Output (GPIO) ports
- ACTIVITY/STATUS pin pairs—one per SAS Engine
- Internal North Bus-South Bus Bridge

It is an integrated processor that addresses the needs of intelligent I/O storage applications and helps reduce intelligent I/O system costs.

The 81348 can support PCI-X 1.0b and/or PCI Express* as a reset option. The PCI bus is an industry standard, high-performance, low-latency system bus. The 81348 PCI bus is capable of 133 MHz operation in PCI-X 1.0b mode (as defined by the *PCI-X Addendum to the Local Bus Specification*, Revision 1.0b). Also, the processor supports a 66 MHz conventional PCI mode (as defined by the *PCI Local Bus Specification*, Revision 2.3). The addition of the Intel XScale® processors brings intelligence to the PCI bus application bridge. 81348 supports an x8 PCI Express* interface.

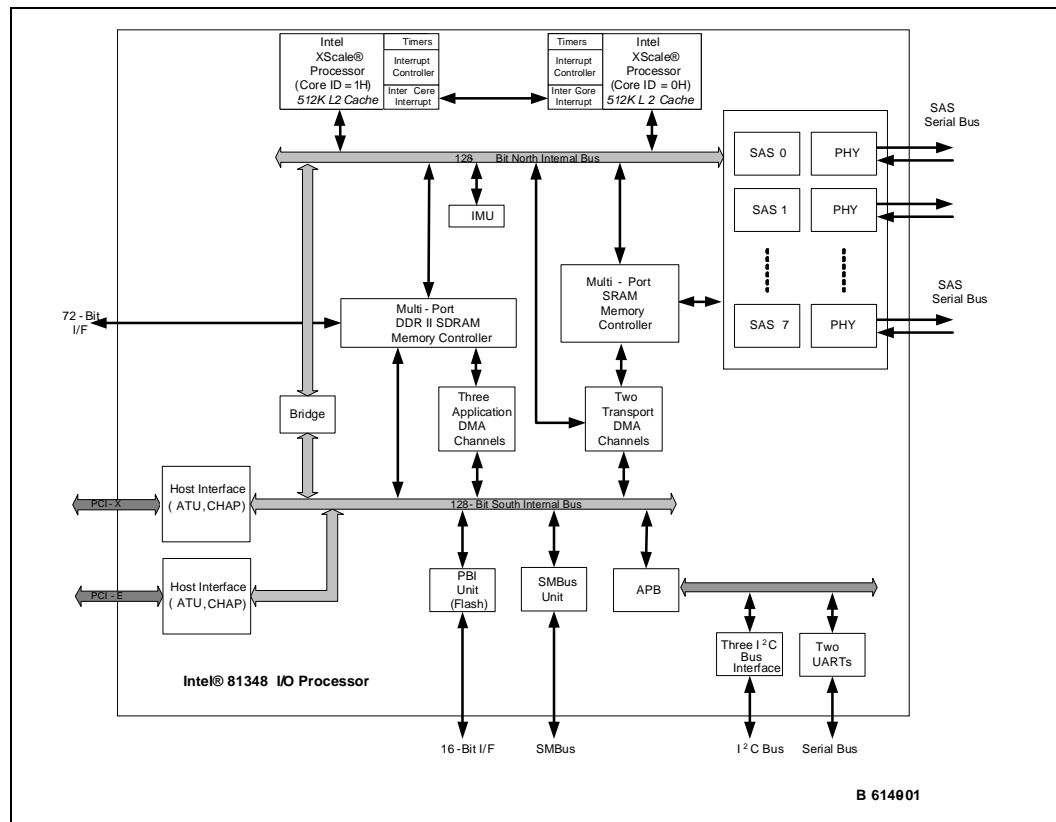
The 81348 can be set up as a single- or dual-function PCI device at reset using external straps. Refer to the "Clocking and Reset" section in the Intel® 81348 I/O Processor *Developer's Manual* for a description of the reset options. When the 81348 is configured as a single-function device, the host programming interface is presented as the Address Translation Unit (ATU) and the Messaging Unit (MU). The MU provides the messaging interface between the host processor and the 81348.

When the 81348 is configured as a dual-function device, PCI function 0 host programming interface is presented as the ATU with the MU. The reset strapping options determine how the controller's SAS/SATA ports are assigned to function 1 and function 0.

Both the address and data busses on the 81348 south XSI bus are byte-wise parity protected. All the peripherals connected to the south XSI bus can check and generate parity.

Figure 1 is a block diagram of the 81348.

Figure 1. Intel® 81348 I/O Processor Functional Block Diagram





2.2 Intel® 81348 I/O Processor Features

The 81348 combines two Intel XScale® processors with powerful new features to create an intelligent I/O storage processor. This single- or dual-function PCI device is fully compliant with the *PCI-X Addendum to the PCI Local Bus Specification*, Revision 2.0 and *PCI Express Specification*, Revision 1.0. Features specific to 81348 include the following:

- Address Translation Unit
- Messaging Unit
- Flash Interface Unit
- Chip Architecture Performance Unit
- I²C Bus Interface Units
- Multi-Port SRAM Memory Controller
- Application DMA Controllers
- XSI System Controller (north and south)
- DDR2 SDRAM Memory Controller
- Transport DMA Controllers
- UART Units
- Address and Data Bus Parity Protection
- Inter-Processor Communication
- Timers
- Watchdog Timers
- Eight SAS Link Engines with integrated PHYs

The 81348 is based upon two Intel XScale® processors. The processor operates at a maximum frequency of 1.2 GHz. The instruction cache is 32 Kbytes in size and is 4-way set associative. Also, the processor includes a data cache that is 32 Kbytes and is 4-way set associative. The Intel XScale® processors also support a unified 512-Kbyte Level 2 (L2) cache that is 8-way set associative.

The 81348 includes sixteen General Purpose I/O (GPIO) pins, and eight ACTIVITY/STATUS pin pairs which are used for SAS links for activity and status indicators. Each SAS link uses one ACTIVITY/STATUS pin pair.

Note: The subsections that follow provide a brief overview of each feature. Refer to the appropriate chapter in the *Intel® 81348 I/O Processor Developer's Manual* for full technical descriptions.

2.2.1 Host Interface

The 81348 can be set up as either a single- or dual-function PCI device, providing PCI-X or PCI Express* interface or both PCI-X and PCI Express* interfaces. The PCI interface is selected as a reset option. When set up as a single-function PCI device, the Address Translation Unit (ATU) and the Messaging Unit (MU) provide the programming interface between the host processor and the 81348. When set up as a dual-function device, the ATU and the MU provide the programming interface between the host processor and the 81348 for function 0, whereas the Third-Party Messaging Interface (TPMI) provides the programming interface between the host processor and the 81348 for function 1.

The PCI interface is selected as a reset option.



2.2.2 Internal Busses

The 81348 is built around two internal busses: north internal bus and south internal bus. The two busses use the same bus protocol. The north internal bus is 128 bits wide and operates at up to 400 MHz. The north bus connects the two Intel XScale® processors, which have direct access to the DDR2 SDRAM and SRAM. The Intel XScale® processors also have direct access to the SAS/SATAFibre Channel engine memory-mapped registers. The north XSI bus is designed to provide the two Intel XScale® processors with low-latency access.

The south internal bus is 128 bits wide and operates at up to 400 MHz. The south XSI bus provides the data paths for burst transactions generated by the DMAs. The south XSI bus internal address and data busses are parity-protected on a byte-wise basis. Agents on the south XSI bus can generate and check address and data parity. The point-to-point interfaces between the agents and the DDR2 and SRAM Memory Controllers are also parity-protected on a byte-wise basis.

Note: Internal busses run at 333MHz for 667MHz core speed. Internal busses run at 400MHz for 800MHz and 1.2GHz core speeds.

2.2.3 Application DMA Controllers

There are three Application DMA Controllers. The Application DMA Controller is dual-ported—with one of its ports connected to the south XSI bus and the other port to the DDR2 SDRAM Memory Controller. This Application DMA Controller allows low-latency, high-throughput data transfers between PCI bus agents and the DDR2 memory. The DMA controller also allows data transfer between DDR2 Memory. The DMA Controller supports chaining and unaligned data transfers. It is programmable through the Intel XScale® processor and the host processor.

In addition to simple data transfers, the ADMA performs XOR operations with up to 16 sources.

2.2.4 Address Translation Unit

The Address Translation Unit (ATU) allows PCI transactions direct access to the 81348 local memory. The ATU provides interface for the RAID Controller PCI function. The ATU supports transactions between PCI address space and the 81348 address space. Address translation is controlled through programmable registers accessible from both the PCI interface and the Intel XScale® processor. Dual access to registers allows flexibility in mapping the two address spaces. The ATU also supports the following extended capability configuration headers:

1. Power Management header, as defined by *PCI Bus Power Management Interface Specification*, Revision 1.1.
2. Message Signaled Interrupt capability structure, as specified in *PCI Local Bus Specification*, Revision 2.3.
3. PCI-X Capabilities List Item, as specified in the *PCI-X Addendum to the Local Bus Specification*, Revision 1.0b.



2.2.5 Messaging Unit

The Messaging Unit (MU) provides data transfer between the PCI system and the 81348. It uses interrupts to notify each system when new data arrives. The MU has four messaging mechanisms: Message Registers, Doorbell Registers, Circular Queues, and Index Registers. Each allows a host processor or external PCI device and the 81348 to communicate through message passing and interrupt generation. The MU, in conjunction with the ATU, exists as the PCI interface for PCI function 0 when function 0 is set up as a RAID controller.

2.2.6 DDR2 Memory Controller

The DDR2 Memory Controller allows direct control of the 400/533 MHz DDR2 SDRAM memory subsystem. It features programmable chip selects and support for error-correction codes (ECC). The DDR2 Memory Controller is multi-ported with the following interfaces: south internal bus, ADMA controllers, north internal bus. The memory controller interface configuration support includes unbuffered DIMMs, registered DIMMs, and discrete DDR2 SDRAM devices.

2.2.7 SRAM Memory Controller

The SRAM Memory Controller allows direct control of a 1.0 MByte SRAM memory subsystem. It supports error correction codes (ECC). The SRAM Memory Controller is ported with the following port: North internal bus.

2.2.8 Peripheral Bus Interface

The Peripheral Bus Interface Unit is a data communication path to the flash memory components or other peripherals of a 81348 hardware system. The PBI includes support for either 8- or 16-bit devices. To perform these tasks at high bandwidth, the bus features a burst-transfer capability which allows successive 8/16-bit data transfers.

2.2.9 I²C Bus Interface Units

There are three I²C (Inter-Integrated Circuit) Bus Interface Units that allow the Intel XScale® processor to serve as a master and slave device residing on the I²C bus. The I²C0 allows the I/O processor to interface to a storage enclosure processor, SEP. For more information, refer to *I²C Peripherals for Microcontrollers* (Philips Semiconductor)¹.

2.2.10 UART Units

The 81348 includes two UART units. The UART unit allow the two Intel XScale® processors to serve as a master and slave device residing on the UART bus. The UART units use a serial bus consisting of a two-pin interface. UART0 allows the 81348 to interface to a console port for debugging. Also refer to the National Semiconductor* 16550 device specification².

1. <http://www.semiconductors.philips.com/buses/i2c/>
2. <http://www.national.com/pf/PC/PC16550D.html>



2.2.11 Interrupt Controller Unit

Each Intel XScale® processor supports an Interrupt Controller Unit (ICU). The ICU aggregates interrupt sources both external and internal sources of the 81348 to the Intel XScale® processor. The ICU supports high-performance interrupt processing with direct interrupt service routine vector generation on a per-source basis. Each source has programmability for masking, processor interrupt input, and priority.

2.2.12 XSI System Controller

Each XSI bus (north and south) employs an XSI system controller. The XSI system controller observes all the address or data bus requests from requestors and completors connected to the XSI bus. The XSI system controller handles XSI address bus arbitration, XSI data bus arbitration, framing Address bus cycles, and framing Data bus cycles. The XSI system controller provides the shared address and shared data paths from/to units.

2.2.13 Inter-Processor Communication

Each Intel XScale® processor can interrupt or issue a reset to the second Intel XScale® processor. Each processor can generate up to 32 interrupts to the second processor.

2.2.14 Timers

The 81348 supports two programmable 32-bit timers per processor. The 81348 also supports one watchdog timer per processor.

2.2.15 GPIO

The 81348 includes sixteen General-Purpose I/O (GPIO) pins, and eight ACTIVITY/STATUS pin pairs.



3.0 Package Information

3.1 Package Introduction

The 81348 is offered in a 1357-ball FCBGA5 package.

3.2 Functional Signal Definitions

This section defines the pins and signals.

3.2.1 Signal Pin Descriptions

Table 1. Pin Description Nomenclature

Symbol	Description
I	Input pin only
O	Output pin only
I/O	Pin can be either an input or an output
OD	Open-drain pin
PWR	Power pin
GND	Ground pin
—	Pin must be connected as described
Sync(...)	Synchronous. Signal meets timings relative to a clock. <ul style="list-style-type: none"> • Sync(P): Synchronous to P_CLKIN • Sync(M): Synchronous to M_CK[2:0] / M_CK#[2:0] • Sync(T): Synchronous to TCK
Async	Asynchronous. Inputs can be asynchronous relative to all clocks. All asynchronous signals are level-sensitive.
R/W	Indicates read or write capability.
Rst(P)	The pin is reset with WARM_RST# or P_RST# .
Rst(M)	The pin is reset with M_RST# . M_RST# is asserted when the memory subsystem is reset.
Rst(PB)	The pin is reset with PB_RSTOUT# . PB_RSTOUT# is asserted when the Peripheral Bus Interface subsystem is reset.
Rst(T)	The pin is reset with TRST# .
ActLow	The pin is an active-low signal.
Diff	The pin is a differential signal pair. <ul style="list-style-type: none"> • "P" at the end of a differential pin name indicates "positive". • "N" at the end of a differential pin name indicates "negative".



Table 2. DDR2 SDRAM Signals (Sheet 1 of 2)

Name	Count	Type	Description
M_CK[2:0], M_CK#[2:0]	6	O Diff	Memory Clockout: is used to provide the three differential clock pairs to the unbuffered DIMM for the external SDRAM memory subsystem. Registered DIMMs use only the M_CK[0]/M_CK#[0] pair, which drives the input to the on-DIMM PLL.
M_RST#	1	O Async ActLow	Memory Reset: indicates that the memory subsystem has been reset. It is used to re-initialize registered DIMMs.
MA[13:0]	14	O Sync(M) Rst(M)	Memory Address Bus: carries the multiplexed row and column addresses to the SDRAM memory banks. Auto-precharge is not supported.
BA[2:0]	3	O Sync(M) Rst(M)	SDRAM Bank Address: controls which of the internal banks to read or write. BA[1:0] are used for 512 Mbit technology memory. BA[2:0] are used for 1 Gbit technology memory.
RAS#	1	O Sync(M) Rst(M) ActLow	SDRAM Row Address Strobe: indicates the presence of a valid row address on the Multiplexed Address Bus MA[13:0] .
CAS#	1	O Sync(M) Rst(M) ActLow	SDRAM Column Address Strobe: indicates the presence of a valid column address on the Multiplexed Address Bus MA[13:0] .
WE#	1	O Sync(M) Rst(M) ActLow	SDRAM Write Enable: indicates whether the current memory transaction is a read or write operation.
CS[1:0]#	2	O Sync(M) Rst(M) ActLow	SDRAM Chip Select: enables the SDRAM devices for a memory access. One for each physical bank.
CKE[1:0]	2	O Sync(M) Rst(M)	SDRAM Clock Enable enables: the clocks for the SDRAM memory. Deasserting places the SDRAM in self-refresh mode. One for each physical bank.
DQ[63:0]	64	I/O Sync(M) Rst(M)	SDRAM Data Bus: carries 64-bit data to and from memory. During the data cycle, read or write data is present on one or more contiguous bytes. During write operations, unused pins drive to determinate values.
CB[7:0]	8	I/O Sync(M) Rst(M)	SDRAM ECC Check Bits: carry the 8-bit ECC code to and from memory during data cycles.
DQS[8:0], DQS#[8:0]	18	I/O Sync(M) Rst(M) Diff	SDRAM Data Strobes: carry differential or single-ended strobe signals, output in write mode, and input in read mode for source synchronous data transfer.
DM[8:0]	9	O Sync(M) Rst(M)	SDRAM Data Mask: controls which bytes on the data bus are to be written. When DM[8:0] is asserted, the SDRAM devices do not accept valid data from the byte lanes.
M_VREF	1	I	SDRAM Voltage Reference: is used to supply the input switching reference voltage for the memory input signals.
ODT[1:0]	2	O Sync(M) Rst(M)	On-Die Termination: is used to turn on SDRAM on-die termination during writes.



Table 2. DDR2 SDRAM Signals (Sheet 2 of 2)

Name	Count	Type	Description
M_CAL[0]	1	O	Memory Calibration: Connected to an external calibration resistor. Memory output drivers reference the resistor to dynamically adjust drive strength to compensate for temperature and voltage variations. This pin connected through a 24.9 Ω 1% resistor to ground.
M_CAL[1]	1	O	Memory Calibration: Connected to an external calibration resistor. Memory output drivers reference the resistor to dynamically adjust ODT resistance to compensate for temperature and voltage variations. This pin connected through a 301 Ω 1% resistor to ground.
Total	135		



Table 3. Peripheral Bus Interface Signals

Name	Count	Type	Description
A[24:0]	25	O Rst(PB)	Peripheral Address Bus: carries the address bits for the current access. The PBI interface can address up to 32 MBytes.
D[15:0]	16	I/O Rst(PB)	Peripheral Data Bus: carries read or write data to and from memory. During write operations to 8-bit wide memory regions, the PBI drives unused bus pins to determinate values.
POE#	1	O Rst(PB) ActLow	Peripheral Output Enable: indicates whether bus access is write or read with respect to I/O processor and is valid during entire bus access. This pin can be used to control output enable on a peripheral device. 0 = Read 1 = Write
PWE#	1	O Rst(PB) ActLow	Peripheral Write Enable: indicates to the peripheral device whether or not to write data to the addressed space. This pin can be used to control the write enable on the peripheral device. 0 = Write 1 = Read
PCE[1:0]#	2	O Rst(PB) ActLow	Peripheral Chip Enable: Specifies which of the two memory address ranges are associated with the current bus access. The pin remains valid during the entire bus access. Note: These pins must be pulled up to V_{CC3P3} with external 8.2K Ω 5%, 1/16 Ω resistors for proper operation.
PB_RSTOUT#	1	O ActLow	Peripheral Bus Reset Out: can be used to reset the peripheral device. It has the same timing as the internal bus reset.
Total	46		



Table 4. Compact PCI Hot Swap Signals

Name	Count	Type	Description
HS_ENUM#	1	OD Rst(P) ActLow	Hot Swap Event: Conditionally asserted to notify system host that either a board has been freshly inserted or is about to be extracted. This signal informs the system host that the configuration of the system has changed. The system host then performs any necessary maintenance such as installing or quiescing a device driver.
HS_LSTAT	1	I Rst(P)	Hot Swap Latch Status: Input indicating state of the ejector switch. 0 = Indicates the ejector switch is closed. 1 = Indicates the ejector switch is open. If Compact PCI Hot Swap not supported, tie this signal low.
HS_LED_OUT	1	O Rst(P)	Hot Swap LED Output: outputs a logic one to illuminate the Hot Swap blue LED.
HS_FREQ[1:0] / CR_FREQ[1:0]	2	I/O Rst(P)	Hot Swap Frequency: In Hot Swap mode, these pins are inputs, determining the bus frequency and mode during a PCI-X hot swap event. These are valid only when PCIX_EP# = 0 and HS_SM# = 0. 00 = 133 MHz PCI-X 01 = 100 MHz PCI-X 10 = 66 MHz PCI-X 11 = 33 or 66 MHz. PCI (frequency depends on P_M66EN) Central Resource Frequency: While in Central Resource mode, these pins are outputs, which control the external PCI-X clock generator. These are valid only when PCIX_EP# = 1. 00 = 133 MHz 01 = 100 MHz 10 = 66 MHz 11 = 33 MHz • These pins have internal pull-ups.
Total	5		



Table 5. PCI Bus Signals (Sheet 1 of 3)

Name	Count	Type	Description
P_AD[63:32]	32	I/O Sync(P) Rst(P)	PCI Address/Data: is the upper 32 bits of the PCI data bus driven during the data phase.
P_AD[31:0]	32	I/O Sync(P) Rst(P)	PCI Address/Data: is the multiplexed PCI address and lower 32 bits of the data bus.
P_CBE[7]#	1	I/O Sync(P) Rst(P) ActLow	PCI Bus Command and Byte Enables: are multiplexed on the same PCI pins. During the address phase, they define the bus command. During the data phase, they are used as byte enables.
P_CBE[6]#	1	I/O Sync(P) Rst(P) ActLow	PCI Bus Command and Byte Enables: are multiplexed on the same PCI pins. During the address phase, they define the bus command. During the data phase, they are used as byte enables.
P_CBE[5]#	1	I/O Sync(P) Rst(P) ActLow	PCI Bus Command and Byte Enables: are multiplexed on the same PCI pins. During the address phase, they define the bus command. During the data phase, they are used as byte enables.
P_CBE[4]#	1	I/O Sync(P) Rst(P) ActLow	PCI Bus Command and Byte Enables: are multiplexed on the same PCI pins. During the address phase, they define the bus command. During the data phase, they are used as byte enables.
P_CBE[3]#	1	I/O Sync(P) Rst(P) ActLow	PCI Bus Command and Byte Enables: are multiplexed on the same PCI pins. During the address phase, they define the bus command. During the data phase, they are used as byte enables.
P_CBE[2]#	1	I/O Sync(P) Rst(P) ActLow	PCI Bus Command and Byte Enables: are multiplexed on the same PCI pins. During the address phase, they define the bus command. During the data phase, they are used as byte enables.
P_CBE[1]#	1	I/O Sync(P) Rst(P) ActLow	PCI Bus Command and Byte Enables: are multiplexed on the same PCI pins. During the address phase, they define the bus command. During the data phase, they are used as byte enables.
P_CBE[0]#	1	I/O Sync(P) Rst(P) ActLow	PCI Bus Command and Byte Enables: are multiplexed on the same PCI pins. During the address phase, they define the bus command. During the data phase, they are used as byte enables.
P_PAR64	1	I/O Sync(P) Rst(P)	PCI Bus Upper DWORD Parity is even parity across P_AD[63:32] and P_CBE_#[7:4].
P_REQ64#	1	I/O Sync(P) Rst(P) ActLow	PCI Bus Request 64-Bit Transfer indicates the attempt of a 64-bit transaction on the PCI bus. When the target is 64-bit capable, the target acknowledges the attempt with the assertion of P_ACK64_#.
P_ACK64#	1	I/O Sync(P) Rst(P) ActLow	PCI Bus Acknowledge 64-Bit Transfer indicates that the device has positively decoded its address as the target of the current access and the target is willing to transfer data using the full 64-bit data bus.



Table 5. PCI Bus Signals (Sheet 2 of 3)

Name	Count	Type	Description
P_PAR	1	I/O Sync(P) Rst(P)	PCI Bus Parity is even parity across P_AD[31:0] and P_CBE_#[3:0].
P_FRAME#	1	I/O Sync(P) Rst(P) ActLow	PCI Bus Cycle Frame is asserted to indicate the beginning and duration of an access.
P_IRDY#	1	I/O Sync(P) Rst(P) ActLow	PCI Bus Initiator Ready indicates the initiating agent's ability to complete the current data phase of the transaction. During a write, it indicates that valid data is present on the address/data bus. During a read, it indicates that the processor is ready to accept the data.
P_TRDY#	1	I/O Sync(P) Rst(P) ActLow	PCI Bus Target Ready indicates the target agent's ability to complete the current data phase of the transaction. During a read, it indicates that valid data is present on the address/data bus. During a write, it indicates that the target is ready to accept the data.
P_STOP#	1	I/O Sync(P) Rst(P) ActLow	PCI Bus Stop indicates a request to stop the current transaction on the PCI bus.
P_DEVSEL#	1	I/O Sync(P) Rst(P) ActLow	PCI Bus Device Select is driven by a target agent that has successfully decoded the address. As an input, it indicates whether or not an agent has been selected.
P_SERR#	1	I/O OD Sync(P) Rst(P) ActLow	PCI Bus System Error is driven for address parity errors on the PCI bus.
P_RSTOUT#	1	O Async ActLow	PCI Reset Out is based on P_RST# and WARM_RST#. It brings PCI-specific registers, sequencers, and signals to a consistent state. When either P_RST# or WARM_RST# is asserted, it causes P_RSTOUT# to assert and: <ul style="list-style-type: none"> • PCI output signals are driven to a known consistent state. • PCI bus interface output signals are three-stated. • Open-drain signals such as P_SERR_# are floated. P_RSTOUT# can be asynchronous to P_CLK when asserted or deasserted.
P_PERR#	1	I/O Sync(P) Rst(P) ActLow	PCI Bus Parity Error is asserted when a data parity error occurs during a PCI bus transaction.
P_M66EN	1	I	PCI Bus 66 MHz Enable indicates the speed of the PCI bus. When this signal is sampled high, the PCI bus speed is 66 MHz; when low, the bus speed is 33 MHz.
P_IDSEL	1	I Sync(P)	PCI Bus Initialization Device Select is used to select the 81348 during a configuration read or write. Note: In central resource mode this pin must be pulled down to V _{SS} with an external 4.7K Ω 5%, 1/16 Ω resistor for proper operation.



Table 5. PCI Bus Signals (Sheet 3 of 3)

Name	Count	Type	Description
P_GNT[0]# / P_REQ#	1	O Sync(P) ActLow	<p>PCI Bus Grant:</p> <ul style="list-style-type: none"> Internal arbiter mode: This is one of four output grant signals from the internal arbiter. <p>PCI Bus Request:</p> <ul style="list-style-type: none"> External arbiter mode: This is the output request signal for the ATU.
P_REQ[0]# / P_GNT#	1	I Sync(P) Rst(P) ActLow	<p>PCI Bus Request:</p> <ul style="list-style-type: none"> Internal arbiter mode: This is one of four input request signals to the internal arbiter. <p>PCI Bus Grant:</p> <ul style="list-style-type: none"> External arbiter mode: This is the input grant signal to the ATU.
P_GNT[3:1]#	3	O Sync(P) ActLow	<p>PCI Bus Grant:</p> <ul style="list-style-type: none"> External arbiter mode: Not used Internal arbiter mode: These are three of four output grant signals from the internal arbiter.
P_REQ[3:1]#	3	I Sync(P) Rst(P) ActLow	<p>PCI Bus Request:</p> <ul style="list-style-type: none"> External arbiter mode: Not used Internal arbiter mode: These are three of four input request signals to the internal arbiter.
P_PCIXCAP	1	I	PCI-X Capability: Refer to the <i>Intel® 81348 I/O Processor Specification Update</i> for more details.
P_BMI	1	O Sync(P) Rst(P)	PCI Bus Master Indicator indicates that the I/O processor is mastering a transaction on the PCI bus.
P_CAL[0]	1	O	PCI Calibration is connected to an external calibration resistor. The V_{CCVIO} PCI output drivers reference the resistor to dynamically adjust the drive strength to compensate for voltage and temperature variations. This pin is connected through a 22.1 Ω 1% resistor to ground.
P_CAL[1]	1	O	PCI Calibration is connected to an external calibration resistor. The PCI output drivers reference the resistor to dynamically adjust the ODT resistance to compensate for voltage and temperature variations. This pin is connected through a 121 Ω 1% resistor to ground.
P_CAL[2]	1	O	PCI Calibration is connected to an external calibration resistor. The V_{CC3P3} PCI output drivers reference the resistor to dynamically adjust the drive strength to compensate for voltage and temperature variations. This pin is connected through a 22.1 Ω 1% resistor to ground.
P_CLKIN	1	I	PCI Bus Input Clock provides the AC timing reference for all PCI transactions.
P_CLKOUT	1	O	PCI Bus Output Clock: When REFCLKN/REFCLKP are used, the I/O processor can generate the PCI output clocks. This pin is then connected to P_CLKIN and trace length matched to P_CLKO[3:0].
P_CLKO[3:0]	4	O	PCI Bus Output Clocks: When REFCLKN/REFCLKP are used, the I/O processor can generate the PCI output clocks. These pins then provide the PCI clocks to devices on the PCI bus.
Total	105		


Table 6. PCI Express Signals

Name	Count	Type	Description
REFCLKP, REFCLKN	2	I Diff	PCI Express* Clock is the 100 MHz differential input reference clock for the PCI Express* interface.
PETP[7:0], PETN[7:0]	16	O Diff	PCI Express* Transmit carries the differential output serial data and embedded clock for the PCI Express* interface.
PERP[7:0], PERN[7:0]	16	I Diff	PCI Express* Receive carries the differential input serial data and embedded clock for the PCI Express* interface.
PE_CALP, PE_CALN	2	I/O	PCI Express* Calibration pins are connected to an external calibration resistor. The PCI Express* output drivers can reference the resistor to dynamically adjust their slew rate and drive strength to compensate for voltage and temperature variations. A 1.4K Ω 1% resistor is connected between these two pins.
Total	36		



Table 7. Storage Interface Signals (Sheet 1 of 3)

Name	Count	Type	Description
S_CLKNO, S_CLKPO	2	I Diff	Storage Clock is the 125 MHz ±100 ppm differential input reference clock for the interface. Note: Should be AC coupled with a 100nF capacitor.
S_TXP[7:0], S_TXN[7:0]	16	O Diff	Storage Transmit carries the differential output serial data and embedded clock for the interface. Note: Should be AC coupled with a 10nF capacitor.
S_RXP[7:0], S_RXN[7:0]	16	I Diff	Storage Receive carries the differential input serial data and embedded clock for the interface. Note: Should be AC coupled with a 10nF capacitor.
RBIAS[1:0]	2	O	Resistor Bias: A 6.49K Ω 1% 1/8 Ω external resistor must be connected between this pin and ground for proper operation. This resistor generates internal bias currents.
RBIAS_SENSE[1:0]	2	I/O	Resistor Bias Sense is used internally to sense ground. This ball must be connected to the same physical ground point as the RBIAS[1:0] resistor is connected to on the PCB.
S_ACT0 / SCLOCK0	1	OD	Storage Activity: When SGPIO[0] is disabled, this pin can be used to drive an LED to indicate activity on the link for storage engine[0]. The pin can be direct driven by the storage engine or driven from an SGPIO. Note: Connect the LED to a series resistor pulled up to VCC. Serial Clock: (default) When SGPIO[0] is enabled, this pin is the serial output clock running at 99.8 KHz. The falling edge of SCLOCK0 is used to latch SLOAD0 , SDATAOUT0 , and SDATAIN0 .
S_STAT0 / SLOAD0	1	OD	Storage Status: When SGPIO[0] is disabled this pin can be used to drive an LED to indicate status of the link for storage engine[0]. The pin can be direct driven by the storage engine or driven from an SGPIO. Note: Connect the LED to a series resistor pulled up to VCC. Serial Load: (default) When SGPIO[0] is enabled, this pin is the serial load clock. It is driven high to indicate the start of the bit stream.
S_ACT1	1	OD	Storage Activity: When SGPIO[0] is disabled, this pin can be used to drive an LED to indicate activity on the link for storage engine[1]. The pin can be direct driven by the storage engine or driven from an SGPIO. Note: Connect the LED to a series resistor pulled up to VCC.
S_STAT1	1	OD	Storage Status: When SGPIO[0] is disabled, this pin can be used to drive an LED to indicate status of the link for storage engine[1]. The pin can be direct driven by the storage engine or driven from an SGPIO. Note: Connect the LED to a series resistor pulled up to VCC.
S_ACT2 / SDATAIN0	1	OD	Storage Activity: When SGPIO[0] is disabled, this pin can be used to drive an LED to indicate activity on the link for storage engine[2]. The pin can be direct driven by the storage engine or driven from an SGPIO. Note: Connect the LED to a series resistor pulled up to VCC. Serial Data In: (default) When SGPIO[0] is enabled, this pin is the serial input data. There are three bits of data per device and up to eight devices are supported.
S_STAT2 / SDATAOUT0	1	OD	Storage Status: When SGPIO[0] is disabled, this pin can be used to drive an LED to indicate status of the link for storage engine[2]. The pin can be direct driven by the storage engine or driven from an SGPIO. Note: Connect the LED to a series resistor pulled up to VCC. Serial Data Out: (default) When SGPIO[0] is enabled, this pin is the serial output data. There are three bits of data per device and up to eight devices are supported.



Table 7. Storage Interface Signals (Sheet 2 of 3)

Name	Count	Type	Description
S_ACT3	1	OD	Storage Activity: When SGPIO[0] is disabled, this pin can be used to drive an LED to indicate activity on the link for storage engine[3]. The pin can be direct driven by the storage engine or driven from an SGPIO. Note: Connect the LED to a series resistor pulled up to VCC.
S_STAT3	1	OD	Storage Status: When SGPIO[0] is disabled, this pin can be used to drive an LED to indicate status of the link for storage engine[3]. The pin can be direct driven by the storage engine or driven from an SGPIO. Note: Connect the LED to a series resistor pulled up to VCC.
S_ACT4 / SCLOCK1	1	OD	Storage Activity: When SGPIO[1] is disabled, this pin can be used to drive an LED to indicate activity on the link for storage engine[4]. The pin can be direct driven by the storage engine or driven from an SGPIO. Note: Connect the LED to a series resistor pulled up to VCC. Serial Clock: (default) When SGPIO[1] is enabled this pin is the serial output clock running at 99.8 KHz. The falling edge of SCLOCK1 is used to latch SLOAD1, SDATAOUT1 and SDATAIN1.
S_STAT4 / SLOAD1	1	OD	Storage Status: When SGPIO[1] is disabled, this pin can be used to drive an LED to indicate status of the link for storage engine[4]. The pin can be direct driven by the storage engine or driven from an SGPIO. Note: Connect the LED to a series resistor pulled up to VCC. Serial Load: (default) When SGPIO[1] is enabled, this pin is the serial load clock. It is driven high to indicate the start of the bit stream.
S_ACT5	1	OD	Storage Activity: When SGPIO[1] is disabled, this pin can be used to drive an LED to indicate activity on the link for storage engine[5]. The pin can be direct driven by the storage engine or driven from an SGPIO. Note: Connect the LED to a series resistor pulled up to VCC.
S_STAT5	1	OD	Storage Status: When SGPIO[1] is disabled, this pin can be used to drive an LED to indicate status of the link for storage engine[5]. The pin can be direct driven by the storage engine or driven from an SGPIO. Note: Connect the LED to a series resistor pulled up to VCC.
S_ACT6 / SDATAIN1	1	OD	Storage Activity: When SGPIO[1] is disabled, this pin can be used to drive an LED to indicate activity on the link for storage engine[6]. The pin can be direct driven by the storage engine or driven from an SGPIO. Note: Connect the LED to a series resistor pulled up to VCC. Serial Data In: (default) When SGPIO[1] is enabled, this pin is the serial input data. There are three bits of data per device and up to eight devices are supported.
S_STAT6 / SDATAOUT1	1	OD	Storage Status: When SGPIO[1] is disabled, this pin can be used to drive an LED to indicate status of the link for storage engine[6]. The pin can be direct driven by the storage engine or driven from an SGPIO. Note: Connect the LED to a series resistor pulled up to VCC. Serial Data Out: (default) When SGPIO[1] is enabled, this pin is the serial output data. There are three bits of data per device and up to eight devices are supported.



Table 7. Storage Interface Signals (Sheet 3 of 3)

Name	Count	Type	Description
S_ACT7	1	OD	Storage Activity: When SGPIO[1] is disabled, this pin can be used to drive an LED to indicate activity on the link for storage engine[7]. The pin can be direct driven by the storage engine or driven from an SGPIO. Note: Connect the LED to a series resistor pulled up to VCC.
S_STAT7	1	OD	Storage Status: When SGPIO[1] is disabled, this pin can be used to drive an LED to indicate status of the link for storage engine[7]. The pin can be direct driven by the storage engine or driven from an SGPIO. Note: Connect the LED to a series resistor pulled up to VCC.
Total	54		



Table 8. Interrupt Signals

Name	Count	Type	Description
P_INT[D:A]# / XINT[3:0]# / GPIO[11:8]	4	OD I I/O Async Rst(P) ActLow	<p>When PCIX_EP# = 0:</p> <ul style="list-style-type: none"> PCI Interrupt requests an interrupt from the central resource. The assertion and deassertion is asynchronous. A device asserts its XINT[3:0]# / P_INT[D:A]# line when requesting attention from its device driver. As soon as the XINT[3:0]# / P_INT[D:A]# signal is asserted, it remains asserted until the device driver clears the pending request. <p>When PCIX_EP# = 1:</p> <ul style="list-style-type: none"> External Interrupt requests are used by external devices to request interrupt service. These pins are level-detect inputs and are internally synchronized. These pins go to the XINT[3:0]# inputs of the interrupt controller. The interrupt controller can steer the interrupt to either the FIQ or the IRQ internal interrupt input of the Intel XScale® processor. <p>General Purpose I/O pins can be selected on a per-pin basis as general-purpose inputs or outputs. The default mode is a general-purpose input.</p>
XINT[7:4]# / GPIO[15:12]	4	I I/O Async ActLow	<p>External Interrupt Requests are used by external devices to request interrupt service. These pins are level-detect and are internally synchronized. These pins go to the XINT[7:4]# inputs of the interrupt controller. The interrupt controller can steer the interrupt to either the FIQ or the IRQ internal interrupt input of the Intel XScale® processor.</p> <p>General Purpose I/O pins can be selected on a per-pin basis as general-purpose inputs or outputs. The default mode is a general-purpose input.</p>
GPIO[7:0] / XINT[15:8]# / PMONOUT	8	I/O I O Async Rst(p)	<p>General Purpose I/O pins can be selected on a per-pin basis as general-purpose inputs or outputs. The default mode is a general-purpose input.</p> <p>External Interrupts are used by external devices to request interrupt service. These pins are level-detect and are internally synchronized. These pins go to the XINT[15:8]# inputs of the interrupt controller. These interrupts are dedicated to the Intel XScale® processor. To enable a given pin as an interrupt, it needs to be unmasked in the INTCTL[3:0] register.</p> <p>Performance Monitor Out: The PMON unit output indicator generates a signal on the GPIO[7] pin when enabled in the PMONEN register. When enabled it will override the normal GPIO[7] function.</p>
HPI#	1	I Async ActLow	High-Priority Interrupt causes a high-priority interrupt to the I/O processor. This pin is level-detect only and is internally synchronized.
NMIO#	1	I Async ActLow	Non-Maskable Interrupt causes a non-maskable data abort to the Intel XScale® processor 0 in the I/O processor. This pin is falling edge-detect only and is internally synchronized.
NMI1#	1	I Async ActLow	Non-Maskable Interrupt causes a non-maskable data abort to the Intel XScale® processor 1 in the I/O processor. This pin is falling edge-detect only and is internally synchronized.
Total	19		

Table 9. I²C and SM Bus Signals

Name	Count	Type	Description
SCL0	1	I/O OD	I ² C 0 Clock provides synchronous operation of the I ² C bus.
SDA0	1	I/O OD	I ² C 0 Data is used for data transfer and arbitration of the I ² C bus.
SCL1	1	I/O OD	I ² C 1 Clock provides synchronous operation of the I ² C bus.
SDA1	1	I/O OD	I ² C 1 Data is used for data transfer and arbitration of the I ² C bus.
SCL2	1	I/O OD	I ² C 2 Clock provides synchronous operation of the I ² C bus.
SDA2	1	I/O OD	I ² C 2 Data is used for data transfer and arbitration of the I ² C bus.
SMBCLK	1	I/O OD	SM Bus Clock provides synchronous operation of the SM bus.
SMBDAT	1	I/O OD	SM Bus Data is used for data transfer and arbitration of the bus.
Total	8		

Note: Open drain outputs require an external pull-up resistor to pull up the signal to 3.3 V. The value of the pull-up resistor depends on the bus loading.



Table 10. UART Signals (Sheet 1 of 2)

Name	Count	Type	Description
U0_RXD	1	I Async	UART 0 Serial Input: Serial data input from device pin to the receive shift register.
U0_TXD	1	O Async	UART 0 Serial Output: Composite serial data output to the communications link-peripheral, modem, or data set. The TXD signal is set to the MARKING (logic 1) state upon a reset operation.
U0_CTS#	1	I ActLow Async	<p>UART 0 Clear to Send: When low, this pin indicates that the receiving UART is ready to receive data. When the receiving UART deasserts CTS# high, the transmitting UART must stop transmission to prevent overflow of the receiving UART buffer. The CTS# signal is a modem-status input whose condition can be tested by the host processor or by the UART when in Autoflow Mode as described below:</p> <p>Non-Autoflow Mode: When not in Autoflow Mode, bit[4] (CTS) of the Modem Status Register (MSR) indicates the state of CTS#. Bit[4] is the complement of the CTS# signal. Bit[0] (DCTS) of the Modem Status Register indicates whether the CTS# input has changed state since the previous reading of the Modem Status Register. CTS# has no effect on the transmitter. The user can program the UART to interrupt the processor when DCTS changes state. The programmer can then stall the outgoing data stream by starving the transmit FIFO or disabling the UART with the IER register.</p> <p>Note: When UART transmission is stalled by disabling the UART, the user does not receive an MSR interrupt when CTS# reasserts. This is because disabling the UART also disables interrupts. To work around this, the user can use Auto CTS in Autoflow Mode, or program the CTS# pin to interrupt.</p> <p>Autoflow Mode: In Autoflow Mode, the UART transmit circuitry checks the state of CTS# before transmitting each byte. When CTS# is high, no data is transmitted.</p>
U0_RTS#	1	O ActLow Async	<p>UART 0 Request to Send: This bit indicates to the remote device whether the UART is ready to receive data. When this bit is low, the UART is ready to receive data. A reset operation sets this signal to its inactive (high) state. LOOP Mode operation holds this signal in its inactive state.</p> <p>Non-Autoflow Mode: The RTS# output signal can be asserted by setting bit[1] (RTS) of the Modem Control Register to 1. The RTS bit is the complement of the RTS# signal.</p> <p>Autoflow Mode: RTS# is automatically asserted by the autoflow circuitry when the receive buffer exceeds its programmed threshold. It is deasserted when enough bytes are removed from the buffer to lower the data level back to the threshold.</p>
U1_RXD	1	I Async	UART 1 Serial Input: Serial data input from the device pin to the receive shift register.



Table 10. UART Signals (Sheet 2 of 2)

Name	Count	Type	Description
U1_TXD	1	O Async	UART 1 Serial Output: Composite serial data output to the communications link-peripheral, modem, or data set. The TXD signal is set to the MARKING (logic 1) state upon a reset operation.
U1_CTS#	1	I ActLow Async	<p>UART 1 Clear to Send: When low, this pin indicates that the receiving UART is ready to receive data. When the receiving UART deasserts CTS# high, the transmitting UART must stop transmission to prevent overflow of the receiving UART buffer. The CTS# signal is a modem-status input whose condition can be tested by the host processor or by the UART when in Autoflow Mode as described below:</p> <p>Non-Autoflow Mode: When not in Autoflow Mode, bit[4] (CTS) of the Modem Status Register (MSR) indicates the state of CTS#. Bit[4] is the complement of the CTS# signal. Bit[0] (DCTS) of the Modem Status Register indicates whether the CTS# input has changed state since the previous reading of the Modem Status Register. CTS# has no effect on the transmitter. The user can program the UART to interrupt the processor when DCTS changes state. The programmer can then stall the outgoing datastream by starving the transmit FIFO or disabling the UART with the IER register.</p> <p>Note: When UART transmission is stalled by disabling the UART, the user does not receive an MSR interrupt when CTS# reasserts. This is because disabling the UART also disables interrupts. To get around this, the user can use Auto CTS in Autoflow Mode, or program the CTS# pin to interrupt.</p> <p>Autoflow Mode: Note: In Autoflow Mode, the UART transmit circuitry checks the state of CTS# before transmitting each byte. When CTS# is high, no data is transmitted.</p>
U1_RTS#	1	O ActLow Async	<p>UART 1 Request to Send: This bit indicates to the remote device whether the UART is ready to receive data. When low, the UART is ready to receive data. A reset operation sets this signal to its inactive (high) state. LOOP Mode operation holds this signal in its inactive state.</p> <p>Non-Autoflow Mode: The RTS# output signal can be asserted by setting bit[1] (RTS) of the Modem Control Register to 1. The RTS bit is the complement of the RTS# signal.</p> <p>Autoflow Mode: RTS# is automatically asserted by the autoflow circuitry when the receive buffer exceeds its programmed threshold. It is deasserted when enough bytes are removed from the buffer to lower the data level back to the threshold.</p>
Total	8		



Table 11. Miscellaneous Signals

Name	Count	Type	Description
TCK	1	I	Test Clock provides clock input for IEEE 1149.1 Boundary Scan Testing (JTAG). State information and data are clocked into the device on the rising clock edge, and data is clocked out on the falling clock edge.
TDI	1	I Sync(T)	Test Data Input is the JTAG serial input pin. TDI is sampled on the rising edge of TCK, during the SHIFT-IR and SHIFT-DR states of the Test Access Port. This signal has a weak internal pull-up to ensure proper operation when this pin is not being driven.
TDO	1	O Sync(T) Rst(T)	Test Data Output is the serial output pin for the JTAG feature. TDO is driven on the falling edge of TCK during the SHIFT-IR and SHIFT-DR states of the Test Access Port. At other times, TDO floats. The behavior of TDO is independent of other resets.
TRST#	1	I Async ActLow	Test Reset asynchronously resets the Test Access Port controller function of IEEE 1149 Boundary Scan Testing (JTAG). This pin has a weak internal pull-up. Note: This pin must be tied low when not used.
TMS	1	I Sync(T)	Test Mode Select is sampled on the rising edge of TCK to select the operation of the test logic for IEEE 1149 Boundary Scan testing. This pin has a weak internal pull-up.
NC	54	I/O	No Connect: Pins have no usable function and must not be connected to any signal, power, or ground.
P_RST#	1	I Async ActLow	Cold Reset is used to asynchronously reset the I/O processor when it is low. This signal must be asserted whenever the power supplies are outside of the specified ranges. <ul style="list-style-type: none"> Registers are reset to default values. Pins are driven to known states. Sticky configuration bits are reset.
WARM_RST#	1	I Async ActLow	Warm Reset is the same as a cold reset, except sticky configuration bits are not reset. This pin should only be used when the sticky bit functionality is required. In this scenario, the WARM_RST# pin must be tied to the system reset PCI_RST# signal while the P_RST# pin can be tied to the system power good signal. If the sticky bit functionality is not required, the WARM_RST# pin should not be used and must be tied to Vcc. When the PCI Express interface is used as an endpoint, the PCI Express inband Hot Reset Mechanism can also be used to provide the sticky bit functionality. Note: Driving WARM_RST# using any other methods than suggested above may result in unpredictable behavior of the device.
THERMDA	1	I	Thermal Diode Anode is the anode of the thermal diode.
THERMDC	1	O	Thermal Diode Cathode is the cathode of the thermal diode.
PUR1	1	I	Pull-Up Required 1: This pin must be pulled up to V _{CC3P3} with an external 8.2K Ω 5%, 1/16 Ω resistor for proper operation.
Total	64		



Table 12. Power and Ground Signals

Name	Count	Type	Description
V _{CC1P2PLLS0}	1	PWR	V _{CC} PLL Storage: Ball connected to a 1.2 V filtered board supply. Provides power to one of two PLLs that control Storage interface.
V _{CC1P2PLLS1}	1	PWR	V _{CC} PLL Storage: Ball connected to a 1.2 V filtered board supply. Provides power to one of two PLLs that control Storage interface.
V _{CC1P2PLLP}	1	PWR	V _{CC} PLL PCI-X: Ball connected to a 1.2 V filtered board supply. Provides power to PLL that controls the PCI-X logic and interface.
V _{CC1P2PLLD}	1	PWR	V _{CC} PLL DDR: Ball connected to a 1.2 V filtered board supply. Provides power to the PLL that controls the DDR2 SDRAM interface and processor digital logic.
V _{CC3P3PLLX}	1	PWR	V _{CC} PLL X: Ball to be connected to a 3.3 V filtered board supply. This pin provides power to a voltage regulator, which supplies power to the PLL that controls the Intel XScale® processor and XSI processor logic.
V _{SSPLLS0}	1	GND	V _{SS} PLL Storage: Ball to be connected to a board ground plane at the location of the V _{CC1P2PLLS0} filter.
V _{SSPLLS1}	1	GND	V _{SS} PLL Storage: Ball to be connected to a board ground plane at the location of the V _{CC1P2PLLS1} filter.
V _{SSPLLP}	1	GND	V _{SS} PLL PCI-X: Ball connected to capacitor of the V _{CC1P2PLLP} filter.
V _{SSPLLD}	1	GND	V _{SS} PLL DDR2 SDRAM: Ball connected to capacitor of V _{CC1P2PLLD} filter.
V _{SSPLLX}	1	GND	V _{SS} PLL X: Ball connected to capacitor of V _{CC3P3PLLX} filter.
V _{CC1P2}	187	PWR	1.2 V Power: Balls to be connected to a 1.2 V board power plane. These pins provide power to the processor logic.
V _{CC1P2AE}	8	PWR	1.2 V Power: Balls to be connected to a 1.2 V board power plane. These pins provide power to the PCI Express* analog logic.
V _{CC1P2E}	6	PWR	1.2 V Power: Balls to be connected to a 1.2 V board power plane. These pins provide power to the PCI Express* digital logic.
V _{CC1P2DS}	6	PWR	1.2 V Power: Balls to be connected to a 1.2 V board power plane. These pins provide power to the storage interface digital logic.
V _{CC1P2AS}	9	PWR	1.2 V Power: Balls to be connected to a 1.2 V board power plane. These pins provide power to the storage interface analog logic.
V _{CC1P2X}	119	PWR	1.2 V Power: Balls to be connected to a 1.2 V board power plane. These pins provide power to the Intel XScale® processors.
V _{CCVIO}	21	PWR	VIO Power: Balls to be connected to a 3.3V board power plane. These pins provide 3.3 V power to the PCI-X I/Os.
V _{CC1P8}	30	PWR	1.8 V Power: Balls to be connected to a 1.8 V board power plane. These pins provide power to the DDR2 SDRAM interface I/Os.
V _{CC1P8E}	14	PWR	1.8 V Power: Balls to be connected to a 1.8 V board power plane. These pins provide power to the PCI Express* interface I/Os.
V _{CC1P8S}	6	PWR	1.8 V Power: Balls to be connected to a 1.8 V board power plane. These pins provide power to the storage interface I/Os.
V _{CC3P3}	42	PWR	3.3 V Power: Balls to be connected to a 3.3 V board power plane. These pins provide power to the PBI, miscellaneous pins, and PCI-X I/Os in Mode 1.
V _{SS}	373	GND	Ground: Balls to be connected to a board ground plane.
V _{SSE}	20	GND	PCI Express* Ground: Balls connected to a board ground plane.
V _{SSAS}	20	GND	Analog Storage Ground: Balls connected to a board ground plane.
V _{SSDS}	6	GND	Digital Storage Ground: Balls connected to a board ground plane.
Total	877		



Table 13. Reset Strap Signals (Sheet 1 of 3)

Name	Count	Type	Description
BOOT_WIDTH_8#	1	Reset Strap	PBI Boot Bus Width: Sets the default bus width for the PBI Memory Boot window. 0 = 8 bits wide 1 = 16 bits wide (default mode) Note: Muxed onto signal A[0].
DF_SEL[2:0]	3	Reset Strap	Device Function Select: These straps select the number of storage ports assigned to each function within 81348. Note: DF_SEL[2] muxed onto signal A[9] Note: DF_SEL[1] muxed onto signal A[8] Note: DF_SEL[0] muxed onto signal A[7] See the "Device Function Select" of the Intel® 81348 I/O Processor Developer's Manual for additional details.
CFG_CYCLE_EN#	1	Reset Strap	Configuration Cycle Enable: Determines whether PCI interface retries configuration cycles until Configuration Cycle Retry bit is cleared in ATU (PCSR[2] and Host Lockout Bit is cleared). 0 = Configuration cycles enabled 1 = Configuration retry enabled (default mode) • PCI-X Interface: Configuration cycles are claimed and terminated with a retry status. • PCI Express* Interface: Configuration requests result in a completion TLP with Configuration Retry Status (CRS). Note: Muxed onto signal A[1]
HOLD_X0_IN_RST#	1	Reset Strap	Hold Intel XScale® Microprocessor 0 in Reset: Determines whether the Intel XScale® microprocessor number 0 is held in reset until the reset bit is cleared in the PCI Configuration and Status Register. 0 = Hold in reset 1 = Do not hold in reset (default mode) Note: Muxed onto signal A[2]
HOLD_X1_IN_RST#	1	Reset Strap	Hold Intel XScale® Microprocessor 1 in Reset: Determines whether the Intel XScale® microprocessor number 1 is held in reset until the reset bit is cleared in the PCI Configuration and Status Register. 0 = Hold in reset 1 = Do not hold in reset (default mode) Note: Muxed onto signal A[3]
MEM_FREQ[1:0]	2	Reset Strap	Memory Frequency: Determines frequency at which DDR2 memory subsystem runs. 00 = Reserved 01 = Reserved 10 = 533 MHz 11 = 400 MHz (Default mode) Note: MEM_FREQ[1] muxed onto signal A[5] Note: MEM_FREQ[0] muxed onto signal A[4]
EXT_ARB#	1	Reset Strap	External Arbiter: Determines whether the PCI interface enables the integrated arbiter, or use an external arbiter. 0 = External arbiter 1 = Internal arbiter (default mode) Note: Muxed onto signal A[6]
INTERFACE_SEL_PCIX#	1	Reset Strap	0 = PCI-X is active 1 = PCI Express is active (default mode) When both interfaces are active, this strap selects the ATU that is function 0 in the internal address map. Note: Muxed onto signal A[10]
PCIX_EP#	1	Reset Strap	PCI-X End Point: Determines whether the PCI-X interface operates as an endpoint or a central resource. 0 = Endpoint 1 = Central resource (default mode) Note: Muxed onto signal A[11] Note: Setting both PCIX_EP# and PCIE_RC# to endpoint is unsupported.



Table 13. Reset Strap Signals (Sheet 2 of 3)

Name	Count	Type	Description
PCIE_RC#	1	Reset Strap	PCI-E Root Complex: Determines whether PCI Express* interface operates as an endpoint or a root complex. 0 = Root complex 1 = Endpoint (default mode) Note: Muxed onto signal A[12] Setting both PCIX_EP# and PCIE_RC# to endpoint is unsupported.
SMB_A5, SMB_A3, SMB_A2, SMB_A1	4	Reset Strap	SM Bus Address: Maps to address bit[5], bit[3], bit[2], and bit[1] where bits[7:0] represent address SMBus slave port responds to when access is attempted. 0 = Address bit is low 1 = Address bit is high (default mode) Note: SMB_A5 muxed onto signal A[16] Note: SMB_A3 muxed onto signal A[15] Note: SMB_A2 muxed onto signal A[14] Note: SMB_A1 muxed onto signal A[13]
PCIX_PULLUP#	1	Reset Strap	PCI-X Pull Up: Determines whether PCI interface has on-die pull-ups enabled. These may be used for the central resource bus keepers. 0 = Enable PCI pull-up resistors 1 = Disable PCI pull-up resistors (default mode) Note: Muxed onto signal A[17]
PCIX_32BIT#	1	Reset Strap	32-Bit PCI-X Bus: Indicates width of the PCI-X bus to PCI-X Status Register. Enables pull-ups for upper half of bus when in 32-bit mode. 0 = 32-bit wide PCI-X bus 1 = 64-bit wide PCI-X bus (default mode) Note: Muxed onto signal A[18]
PCIXM1_100#	1	Reset Strap	PCI-X Mode 1 100 MHz Enable: In Central Resource Mode, this bit limits PCI-X bus to 100 MHz while in mode 1: 0 = Limit PCI-X mode 1 to 100 MHz 1 = 133 MHz enabled (default mode) Note: Muxed onto signal A[19]
HS_SM#	1	Reset Strap	Hot Swap Startup Mode: In End Point Mode, this bit determines whether Hot Swap mode is enabled. 0 = Hot Swap Mode enabled 1 = Hot Swap Mode disabled (default mode) Note: Muxed onto signal A[21]
FW_TIMER_OFF#	1	Reset Strap	Firmware Timer Off: Disables 400 mS firmware timer for development and debug. When enabled, timer automatically clears Configuration Cycle Retry (CCR) bit in PCSR after 400 mS regardless of processor state. When disabled, CCR bit functions as normal based on state of CFG_CYCLE_EN# pin at rising edge of P_RST#. 0 = Firmware timer disabled 1 = Firmware timer enabled (default mode) Note: Muxed onto signal A[22]
CONTROLLER_ONLY#	1	Reset Strap	Controller-Only Enable: 0 = Controller only, RAID disabled 1 = RAID enabled (default mode) Note: Muxed onto signal A[23]
LK_DN_RST_BYPASS#	1	Reset Strap	Link Down Reset Bypass: Disables the full chip reset that would normally be caused by a Link Down or hot reset. 0 = Do not reset on Link Down 1 = Reset on Link Down (default mode) Note: Muxed onto signal A[24]



Table 13. Reset Strap Signals (Sheet 3 of 3)

Name	Count	Type	Description
CLK_SRC_PCIE#	1	Reset Strap	Clock Source PCI-E: Selects PCI Express* Refclk pair as the input clock to the PLLs that control most internal logic. 0 = Source clock is REFCLKP/REFCLKN 1 = Source clock is P_CLKIN (default mode) Note: When P_CLKO[3:0] are used this pin must be pulled low. Note: Muxed onto signal PWE#
Total	25		

Reset strap signals are latched on the rising edge of **P_RST#**. All reset strap signals are internally pulled to logic 1 by default. An external 4.7K ohm 5%, 1/16 ohm pull-down resistor is required to force a logic 0 on these pins.



Table 14. Functional Pin Mode Behavior (Sheet 1 of 4)

Pin	Boundary Scan High Z	Reset (End Point)	Reset (Central Resource)	Normal	32-Bit SDRAM	PCIX_32BIT#	PCIX_PULLUP#	When only PCI-X Interface Active	When only PCI Express* Interface Active
M_CK[2:0], M_CK#[2:0]	Z	VO	VO	VO	-	-	-	-	-
M_RST#	Z	0*	0*	VO	-	-	-	-	-
MA[13:0]	Z	VO	VO	VO	-	-	-	-	-
BA[2:0]	Z	VO	VO	VO	-	-	-	-	-
RAS#	Z	VO	VO	VO	-	-	-	-	-
CAS#	Z	VO	VO	VO	-	-	-	-	-
WE#	Z	VO	VO	VO	-	-	-	-	-
CS[1:0]#	Z	VO	VO	VO	-	-	-	-	-
CKE[1:0]	Z	0*	0*	VO	-	-	-	-	-
DQ[63:32]	Z	Z*	Z*	VB	Z	-	-	-	-
DQ[31:0]	Z	Z*	Z*	VB	-	-	-	-	-
CB[7:0]	Z	Z*	Z*	VB	-	-	-	-	-
DQS[8], DQS#[8]	Z	Z*	Z*	VB	-	-	-	-	-
DQS[7:4], DQS#[7:4]	Z	Z*	Z*	VB	Z	-	-	-	-
DQS[3:0], DQS#[3:0]	Z	Z*	Z*	VB	-	-	-	-	-
DM[8]	Z	VO*	VO*	VO	-	-	-	-	-
DM[7:4]	Z	VO*	VO*	VO	-	-	-	-	-
DM[3:0]	Z	VO*	VO*	VO	-	-	-	-	-
M_VREF	-	AI	AI	AI	-	-	-	-	-
ODT[1:0]	Z	0*	0*	VO	-	-	-	-	-
M_CAL[1:0]	Z	Z*	Z*	AO	-	-	-	-	-
A[24:0]	Z	H	H	VO	-	-	-	-	-
D[15:0]	Z	H	H	VB	-	-	-	-	-
POE#	Z	H	H	VO	-	-	-	-	-
PWE#	Z	H	H	VO	-	-	-	-	-
PB_RSTOUT#	Z	0	0	VO	-	-	-	-	-
PCE[1:0]#	Z	H	H	VO	-	-	-	-	-
HS_ENUM#	Z	Z	Z	VO	-	-	-	-	-
HS_LSTAT	-	VI	VI	VI	-	-	-	-	-
HS_LED_OUT	Z	1	1	VO	-	-	-	-	-
HS_FREQ[1:0] / CR_FREQ[1:0]	Z	H	H	H	-	-	-	-	-
P_AD[63:32]	Z	Z	Z	VB	-	H	H	-	H

Notes:

1 = driven to V_{CC}
 0 = driven to V_{SS}
 X = driven to unknown state
 ID = The input is disabled.
 H = pulled up to V_{CC}
 PD = pull-up disabled
 L = pulled down to V_{SS}
 ODT = On Die Termination
 GND = Tie to Ground.
 EA = External Arbiter mode

IA = Internal Arbiter mode
 Z = output, pull-up/down disabled
 VB = acts like a Valid Bidirectional pin
 VO = a Valid Output level is driven.
 VI = need to drive a Valid Input level.
 AO = Analog Output level
 AI = Analog Input level
 * = after power fail sequence completes
 "-" = unaffected by this mode



Table 14. Functional Pin Mode Behavior (Sheet 2 of 4)

Pin	Boundary Scan High Z	Reset (End Point)	Reset (Central Resource)	Normal	32-Bit SDRAM	PCIX_32BIT#	PCIX_PULLUP#	When only PCI-X Interface Active	When only PCI Express* Interface Active
P_AD[31:0]	Z	Z	0	VB	-	-	-	-	H
P_CBE[7:4]#	Z	Z	Z	VB	-	H	H	-	H
P_CBE[3:0]#	Z	Z	0	VB	-	-	-	-	H
P_PAR64	Z	Z	Z	VB	-	H	H	-	H
P_REQ64#	Z	VI	0	VB	-	-	H	-	H
P_ACK64#	Z	Z	Z	VB	-	-	H	-	H
P_PAR	Z	Z	0	VB	-	-	-	-	H
P_FRAME#	Z	VI	VO	VB	-	-	H	-	H
P_IRDY#	Z	VI	VO	VB	-	-	H	-	H
P_TRDY#	Z	VI	VO	VB	-	-	H	-	H
P_STOP#	Z	VI	VO	VB	-	-	H	-	H
P_DEVSEL#	Z	VI	VO	VB	-	-	H	-	H
P_SERR#	Z	Z	Z	VB	-	-	H	-	H
P_RSTOUT#	Z	0	0	VO	-	-	-	-	VO
P_PERR#	Z	VI	VO	VB	-	-	H	-	H
P_M66EN	-	VI	VI	VI	-	-	-	-	H
P_IDSEL	-	VI	VI	VI	-	-	-	-	H
P_GNT[0]# / P_REQ#	Z	Z _(EA) H _(IA)	Z _(EA) H _(IA)	VO	-	-	-	-	H
P_REQ[0]# / P_GNT#	-	VI _(EA)	VI _(EA) H _(IA)	VI _(EA) H _(IA)	-	-	-	-	H
P_GNT[3:1]#	Z	H	H	VO	-	-	-	-	H
P_REQ[3:1]#	-	H	H	H	-	-	-	-	H
P_CLKIN	-	VI	VI	VI	-	-	-	-	GND
P_CLKOUT	Z	Z	VO	VO	-	-	-	-	Z
P_CLKO[3:0]	Z	Z	VO	VO	-	-	-	-	Z
P_PCIXCAP	-	AI	AI	AI	-	-	-	-	GND
P_BMI	Z	VO	VO	VO	-	-	-	-	VO
P_CAL[2:0]	Z	AO	AO	AO	-	-	-	-	VO
S_CLKP0, S_CLKN0	-	VI	VI	VI	-	-	-	-	-
S_TXP[7:0], S_TXN[7:0]	-	1	1	VO	-	-	-	-	-
S_RXP[7:0], S_RXN[7:0]	-	ID	ID	VI	-	-	-	-	-
RBIAS[1:0]	-	AO	AO	AO	-	-	-	-	-
RBIAS_SENSE[1:0]	-	AI	AI	AI	-	-	-	-	-

Notes:

1 = driven to V_{CC}
 0 = driven to V_{SS}
 X = driven to unknown state
 ID = The input is disabled.
 H = pulled up to V_{CC}
 PD = pull-up disabled
 L = pulled down to V_{SS}
 ODT = On Die Termination
 GND = Tie to Ground.
 EA = External Arbiter mode

IA = Internal Arbiter mode
 Z = output, pull-up/down disabled
 VB = acts like a Valid Bidirectional pin
 VO = a Valid Output level is driven.
 VI = need to drive a Valid Input level.
 AO = Analog Output level
 AI = Analog Input level
 * = after power fail sequence completes
 "-" = unaffected by this mode



Table 14. Functional Pin Mode Behavior (Sheet 3 of 4)

Pin	Boundary Scan High Z	Reset (End Point)	Reset (Central Resource)	Normal	32-Bit SDRAM	PCIX_32BIT#	PCIX_PULLUP#	When only PCI-X Interface Active	When only PCI Express* Interface Active
S_ACT0 / SCLOCK0	Z	Z	Z	VO	-	-	-	-	-
S_STAT0 / SLOAD0	Z	Z	Z	VO	-	-	-	-	-
S_ACT1	Z	Z	Z	VO	-	-	-	-	-
S_STAT1	Z	Z	Z	VO	-	-	-	-	-
S_ACT2 / SDATAIN0	Z	Z	Z	VO	-	-	-	-	-
S_STAT2 / SDATAOUT0	Z	Z	Z	VO	-	-	-	-	-
S_ACT3	Z	Z	Z	VO	-	-	-	-	-
S_STAT3	Z	Z	Z	VO	-	-	-	-	-
S_ACT4 / SCLOCK1	Z	Z	Z	VO	-	-	-	-	-
S_STAT4 / SLOAD1	Z	Z	Z	VO	-	-	-	-	-
S_ACT5	Z	Z	Z	VO	-	-	-	-	-
S_STAT5	Z	Z	Z	VO	-	-	-	-	-
S_ACT6 / SDATAIN1	Z	Z	Z	VO	-	-	-	-	-
S_STAT6 / SDATAOUT1	Z	Z	Z	VO	-	-	-	-	-
S_ACT7	Z	Z	Z	VO	-	-	-	-	-
S_STAT7	Z	Z	Z	VO	-	-	-	-	-
REFCLKP, REFCLKN	-	VI	VI	VI	-	-	-	GND/VI	-
PETP[7:0], PETN[7:0]	-	Z	Z	VO	-	-	-	Z	-
PERP[7:0], PERN[7:0]	-	ID	ID	VI	-	-	-	Z	-
PE_CALP	-	AO	AO	AO	-	-	-	Z	-
PE_CALN	-	AO	AO	AO	-	-	-	Z	-
P_INT[D:A]# / XINT[3:0]#	Z	Z/VI	Z/VI	VB	-	-	H	-	-
XINT[7:4]#	-	VI	VI	VI	-	-	-	-	-
GPIO[7:0] / XINT[15:8]# / PMONOUT	Z	VI	VI	VB	-	-	-	-	-
HPI#	-	VI	VI	VI	-	-	-	-	-
NMI0#	-	VI	VI	VI	-	-	-	-	-
NMI1#	-	VI	VI	VI	-	-	-	-	-
SCL0	Z	Z	Z	VB	-	-	-	-	-
SDA0	Z	Z	Z	VB	-	-	-	-	-
SCL1	Z	Z	Z	VB	-	-	-	-	-
SDA1	Z	Z	Z	VB	-	-	-	-	-

Notes:

1 = driven to V_{CC}
 0 = driven to V_{SS}
 X = driven to unknown state
 ID = The input is disabled.
 H = pulled up to V_{CC}
 PD = pull-up disabled
 L = pulled down to V_{SS}
 ODT = On Die Termination
 GND = Tie to Ground.
 EA = External Arbiter mode

IA = Internal Arbiter mode
 Z = output, pull-up/down disabled
 VB = acts like a Valid Bidirectional pin
 VO = a Valid Output level is driven.
 VI = need to drive a Valid Input level.
 AO = Analog Output level
 AI = Analog Input level
 * = after power fail sequence completes
 "-" = unaffected by this mode



Table 14. Functional Pin Mode Behavior (Sheet 4 of 4)

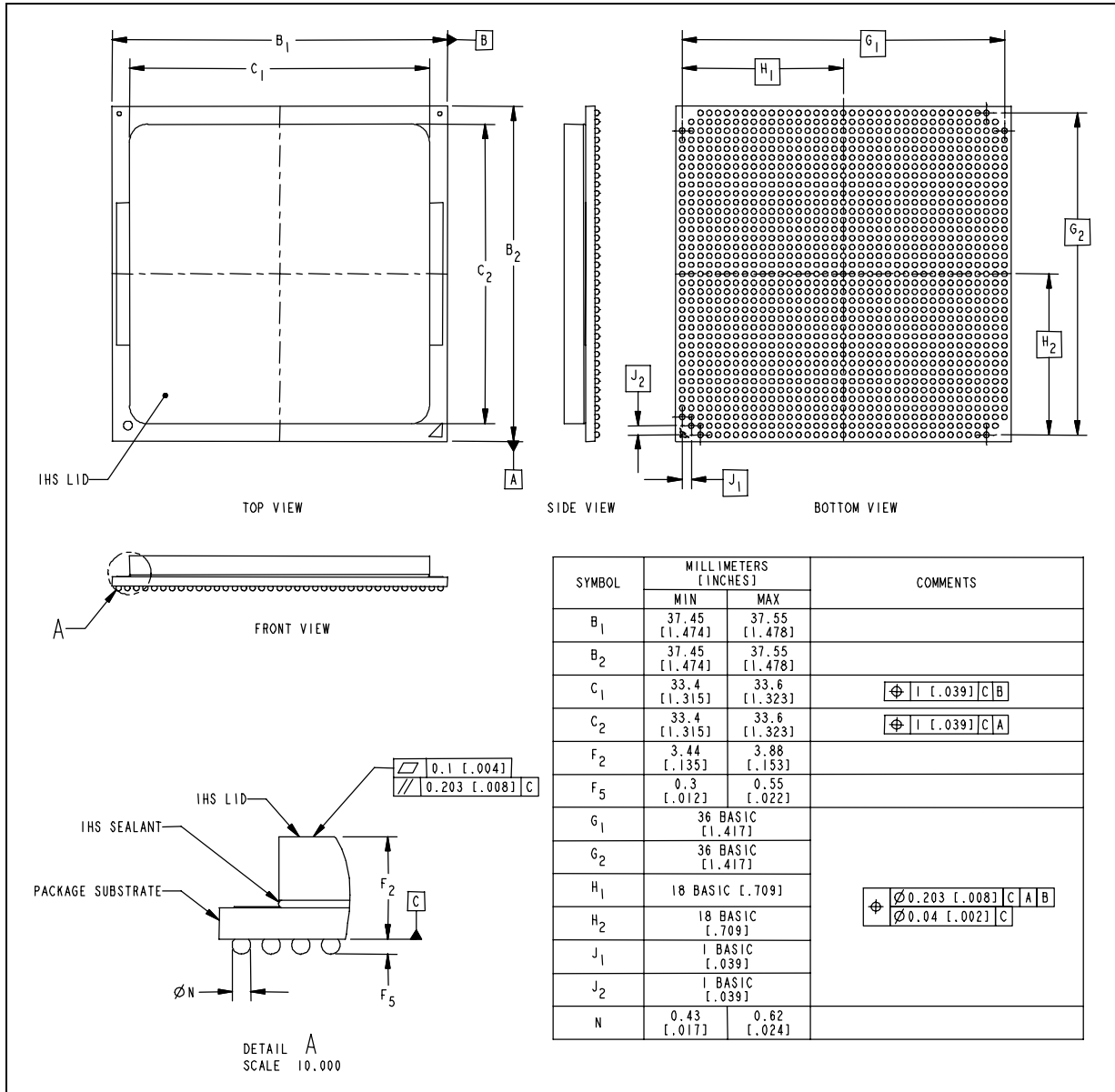
Pin	Boundary Scan High Z	Reset (End Point)	Reset (Central Resource)	Normal	32-Bit SDRAM	PCIX_32BIT#	PCIX_PULLUP#	When only PCI-X Interface Active	When only PCI Express* Interface Active
SCL2	Z	Z	Z	VB	-	-	-	-	-
SDA2	Z	Z	Z	VB	-	-	-	-	-
SMBCLK	Z	Z	Z	VB	-	-	-	-	-
SMBDAT	Z	Z	Z	VB	-	-	-	-	-
U0_RXD	-	VI	VI	VI	-	-	-	-	-
U0_TXD	Z	1	1	VO	-	-	-	-	-
U0_CTS#	-	VI	VI	VI	-	-	-	-	-
U0_RTS#	Z	1	1	VO	-	-	-	-	-
U1_RXD	-	VI	VI	VI	-	-	-	-	-
U1_TXD	Z	1	1	VO	-	-	-	-	-
U1_CTS#	-	VI	VI	VI	-	-	-	-	-
U1_RTS#	Z	1	1	VO	-	-	-	-	-
TCK	-	VI	VI	VI	-	-	-	-	-
TDI	-	H	H	H	-	-	-	-	-
TDO	-	Z	Z	VO	-	-	-	-	-
TRST#	-	H	H	H	-	-	-	-	-
TMS	-	H	H	H	-	-	-	-	-
P_RST#	-	VI	VI	VI	-	-	-	-	-
WARM_RST#	-	VI	VI	VI	-	-	-	-	-
NC	-/Z	Z/H	Z/H	Z/H	-	-	-	-	-
THERMDA	-	AI	AI	AI	-	-	-	-	-
THERMDC	-	AO	AO	AO	-	-	-	-	-

Notes:

1 = driven to V_{CC}
 0 = driven to V_{SS}
 X = driven to unknown state
 ID = The input is disabled.
 H = pulled up to V_{CC}
 PD = pull-up disabled
 L = pulled down to V_{SS}
 ODT = On Die Termination
 GND = Tie to Ground.
 EA = External Arbiter mode

IA = Internal Arbiter mode
 Z = output, pull-up/down disabled
 VB = acts like a Valid Bidirectional pin
 VO = a Valid Output level is driven.
 VI = need to drive a Valid Input level.
 AO = Analog Output level
 AI = Analog Input level
 * = after power fail sequence completes
 "-" = unaffected by this mode

Figure 2. 1357-Lead FCBGA Package (Top and Bottom Views)





The following figures show the Intel® 81348 ballout diagrams:

- Figure 3, "Intel® 81348 I/O processor Ballout—Package Top (Left Side)" on page 42
- Figure 4, "Intel® 81348 I/O processor Ballout—Package Top (Right Side)" on page 43
- Figure 5, "Intel® 81348 I/O processor Ballout—Package Bottom (Left Side)" on page 44
- Figure 6, "Intel® 81348 I/O processor Ballout—Package Bottom (Right Side)" on page 45

The following tables show the Intel® 81348 ball and signal listings:

- Table 15, "Intel® 81348 I/O processor 1357-Lead Package—Alphabetical Ball Listings" on page 46
- Table 16, "Intel® 81348 I/O processor 1357-Lead Package—Alphabetical Signal Listings" on page 54



Figure 3. Intel® 81348 I/O processor Ballout—Package Top (Left Side)

	A	B	C	D	E	F	G	H	J	K	L	M	N	P	R	T	U	V	W	
37			vss	dq [63]	dqs [7]	dqs# [7]	dq [57]	dq [56]	dq [60]	dq [43]	dq [47]	dqs [5]	dqs# [5]	dq [41]	dq [40]	dq [44]	cb [2]	cb [6]	dqs# [8]	
36		vss	dq [59]	dq [58]	dq [62]	vss	dm [7]	dq [61]	vss	vss	dq [42]	dq [46]	vss	dm [5]	dq [45]	vss	cb [3]	cb [7]	dqs [8]	
35	vss	nc	dq [51]	dq [50]	dqs [8]	dqs# [8]	dm [6]	dq [53]	dq [52]	dq [35]	dq [34]	dqs [4]	dqs# [4]	dm [4]	dq [37]	dq [36]	m_ck# [2]	vss	dm [8]	
34	nc	nc	vss	dq [55]	dq [54]	vss	dq [49]	dq [48]	vss	vss	dq [39]	dq [38]	vss	dq [33]	dq [32]	vss	m_ck# [2]	m_ck# [0]	m_ck [0]	
33	nc	nc	nc	nc	vss	odt [1]	cs# [1]	ma [13]	odt [0]	cas#	we#	vss	cs# [0]	ras#	ba [0]	ma [10]	ba [1]	ma [0]	vss	
32	nc	nc	nc	nc	nc	vcc3 p3	vcc3 p3	vcc1 p8	vcc1 p8	vcc1 p8	vcc1 p8	vcc1 p8	vcc1 p8	vcc1 p8	vcc1 p8	vcc1 p8	vcc1 p8	vcc1 p8	vcc1 p8	
31	nc	nc	nc	nc	nc	vcc3 p3	vcc1 p2x	vss	vcc1 p2x	vss	vcc1 p2x	vss	vcc1 p2x	vss	vcc1 p2x	vss	vcc1 p2x	vss	vcc1 p2x	
30	nc	vss	nc	vss	nc	vcc3 p3	vss	vcc1 p2x	vss	vcc1 p2x	vss	vcc1 p2x	vss	vcc1 p2x	vss	vcc1 p2x	vss	vcc1 p2x	vcc1 p2x	
29	nc	nc	nc	nc	nc	vcc3 p3	vcc1 p2x	vss	vcc1 p2x	vss	vcc1 p2x	vss	vcc1 p2x	vss	vcc1 p2x	vss	vssplitx	therm da	nc	
28	nc	nc	nc	nc	nc	vcc3 p3	vss	vcc1 p2x	vss	vcc1 p2x	vss	vcc1 p2x	vss	vcc1 p2x	vss	vcc1 p2x	vss	vcc1 p2x	therm dc	vcc1 p2x
27	s_act1	vss	s_stat5	vss	s_act4	s_stat3	vcc3 p3	vcc1 p2x	vss	vcc1 p2x	vss	vcc1 p2x	vss	vcc1 p2x	vss	vcc1 p2x	vss	vcc1 p2x	vss	
26	s_act5	s_stat2	s_act0	s_stat7	s_stat6	s_stat4	vcc3 p3	vss	vcc1 p2x	vss	vcc1 p2x	vss	vcc1 p2x	vss	vcc1 p2x	vss	vcc1 p2x	vss	vcc1 p2x	
25	s_stat0	s_act2	s_act3	s_act7	s_stat1	s_act6	vcc3 p3	vcc1 p2x	vss	vcc1 p2x	vss	vcc1 p2x	vss	vcc1 p2x	vss	vcc1 p2x	vss	vcc1 p2x	vss	
24	vssas	vssas	vssas	vssas	vcc1 p2as	vcc1 p2as	vcc1 p2as	vss	vcc1 p2	vss	vcc1 p2x	vss	vcc1 p2x	vss	vcc1 p2x	vss	vcc1 p2x	vss	vcc1 p2x	
23	s_rxp[3]	s_rxn[3]	s_bxp[3]	s_txn[3]	vcc1 p2as	vcc1 p2as	vcc1 p2as	vcc1 p2	vss	vcc1 p2x	vss	vcc1 p2x	vss	vcc1 p2x	vss	vcc1 p2x	vss	vcc1 p2x	vcc1 p2x	
22	s_rxp[1]	s_rxn[1]	s_bxp[1]	s_txn[1]	vcc1 p2as	vcc1 p2as	vcc1 p2as	vcc1 p2	vss	vcc1 p2	vss	vcc1 p2x	vss	vcc1 p2x	vss	vcc1 p2x	vss	vcc1 p2x	vcc1 p2x	
21	vssas	vssas	vssas	vssas	rbias_sense [0]	nc	nc	s_clkp0	vssplit0	vcc1 p2	vss	vcc1 p2	vss	vcc1 p2	vss	vcc1 p2	vss	vcc1 p2	vcc1 p2	
20	s_rxp[0]	s_rxn[0]	s_bxp[0]	s_txn[0]	rbias [0]	nc	nc	s_clkno	vcc1 p2p[ls0]	vss	vcc1 p2	vss	vcc1 p2	vss	vcc1 p2	vss	vcc1 p2	vss	vcc1 p2	
19	s_rxp[2]	s_rxn[2]	s_bxp[2]	s_txn[2]	vcc1 p8s	vcc1 p8s	vcc1 p8s	vcc1 p2	vss	vcc1 p2	vss	vcc1 p2	vss	vcc1 p2	vss	vcc1 p2	vss	vcc1 p2	vcc1 p2	
18	vssas	vssas	vssas	vssas	vcc1 p8s	vcc1 p8s	vcc1 p8s	vss	vcc1 p2	vss	vcc1 p2	vss	vcc1 p2	vss	vcc1 p2	vss	vcc1 p2	vss	vcc1 p2	
17	s_rxp[7]	s_rxn[7]	s_bxp[7]	s_txn[7]	vcc1 p2ds	vssds	vssds	vcc1 p2	vss	vcc1 p2	vss	vcc1 p2	vss	vcc1 p2	vss	vcc1 p2	vss	vcc1 p2	vcc1 p2	
16	s_rxp[5]	s_rxn[5]	s_bxp[5]	s_txn[5]	rbias_sense [1]	nc	nc	vss	vssplit1	vss	vcc1 p2	vss	vcc1 p2	vss	vcc1 p2	vss	vcc1 p2	vss	vcc1 p2	
15	vssas	vssas	vssas	vssas	rbias [1]	nc	nc	vss	vcc1 p2p[ls1]	vcc1 p2	vss	vcc1 p2	vss	vcc1 p2	vss	vcc1 p2	vss	vcc1 p2	vcc1 p2	
14	s_rxp[4]	s_rxn[4]	s_bxp[4]	s_txn[4]	vssds	vcc1 p2ds	vssds	vss	vcc1 p2	vss	vcc1 p2	vss	vcc1 p2	vss	vcc1 p2	vss	vcc1 p2	vss	vcc1 p2	
13	s_rxp[6]	s_rxn[6]	s_bxp[6]	s_txn[6]	vcc1 p2ds	vssds	vcc1 p2ds	vcc1 p2	vss	vcc1 p2	vss	vcc1 p2	vss	vcc1 p2	vss	vcc1 p2	vss	vcc1 p2	vcc1 p2	
12	vssas	vssas	vssas	vssas	vssds	vcc1 p2ds	vcc1 p2ds	vss	vcc1 p2	vss	vcc1 p2	vss	vcc1 p2	vss	vcc1 p2	vss	vcc1 p2	vss	vcc1 p2	
11	gpio [1]	gpio [3]	gpio [7]	gpio [5]	gpio [6]	vcc3 p3	vss	vcc1 p2	vss	vcc1 p2	vss	vcc1 p2	vssplitp	vcc1 p2p[lp]	vss	vcc1 p2	vss	vcc1 p2	vss	
10	gpio [0]	vss	gpio [2]	vss	gpio [4]	vcc3 p3	vcc1 p2	vss	vcc1 p2	vss	vcc1 p2	vss	vcc1 p2	vss	vcc1 p2	vss	vcc1 p2	vss	vcc1 p2	
9	xint# [1]	xint# [3]	xint# [5]	xint# [4]	xint# [7]	vcc3 p3	vss	vcc1 p2	vss	vcc1 p2	vss	vcc1 p2	vss	vcc1 p2	vss	vcc1 p2	vss	vcc1 p2	vss	
8	xint# [2]	xint# [0]	xint# [6]	nmi#	hs_led_out	vcc3 p3	vcc1 p2	vss	vcc1 p2	vss	vcc1 p2	vss	vcc1 p2	vss	vcc1 p2	vss	vcc1 p2	vss	vcc1 p2	
7	hs_enum#	vss	hpi#	vss	nmi1#	vcc3 p3	vss	vcc1 p2	vss	vcc1 p2	vss	vcc1 p2	vss	vcc1 p2	vss	vcc1 p2	vss	vcc1 p2	vss	
6	u0_rts#	u0_rx_d	hs_lstat	hs_freq [1]	hs_freq [0]	vcc3 p3	vcc3 p3	vccvbio	vcc3 p3	vcc3 p3	vccvbio	vccvbio	vcc3 p3	vccvbio	vcc3 p3	vcc3 p3	vccvbio	vcc3 p3	vcc3 p3	
5	u0_cts#	u0_tx_d	u1_rx_d	nc	vcc3 p3	p_cal [0]	p_gnt# [3]	vccvbio	p_gnt# [0]	p_ad [31]	vccvbio	p_ad [26]	p_istse	vccvbio	p_ad [16]	p_trdy#	p_ad [13]	p_ad [9]		
4	u1_cts#	u1_tx_d	u1_rts#	vss	warm_rst#	p_bmi	vss	p_req# [3]	p_gnt# [1]	vss	p_ad [30]	p_ad [24]	vss	p_ad [20]	p_frame#	vss	p_par	p_ad [11]	vss	
3	vss	p_clk0 [3]	p_clk0 [2]	p_clk [2]	nc	p_cal [1]	p_req# [2]	p_gnt# [2]	nc	p_ad [27]	p_ad [28]	p_ad [23]	p_ad [22]	p_ad [18]	p_devsel #	p_stop#	p_ad [15]	p_ad [12]	p_cbe# [0]	
2		vss	p_clk0 [0]	p_clkout	vss	p_rst#	vss	nc	nc	vss	p_ad [25]	p_ad [21]	vss	p_cbe# [2]	p_pcixca p	vss	p_cbe# [1]	p_ad [10]	vss	
1			vss	p_clkIn	p_clk0 [1]	p_rstout#	nc	p_req# [1]	p_req# [0]	p_ad [29]	p_cbe# [3]	p_ad [19]	p_ad [17]	p_irdy#	p_perr#	p_serr#	p_ad [14]	p_m66en	vss	



Figure 4. Intel® 81348 I/O processor Ballout—Package Top (Right Side)

Y	AA	AB	AC	AD	AE	AF	AG	AH	AJ	AK	AL	AM	AN	AP	AR	AT	AU	
cb [1]	cb [0]	dq [27]	dq [31]	dqs [3]	dqs# [3]	dq [25]	dq [24]	dq [28]	dq [11]	dq [15]	dqs [1]	dqs# [1]	dq [9]	dm [1]	vss			37
cb [5]	cb [4]	vss	dq [26]	dq [30]	vss	dm [3]	dq [29]	vss	vss	dq [10]	dq [14]	vss	dq [8]	dq [13]	dq [12]	vss		36
vss	m_ck [1]	dq [19]	dq [18]	dqs [2]	dqs# [2]	dm [2]	dq [21]	dq [20]	dq [3]	dq [2]	dqs [0]	dqs# [0]	dm [0]	dq [5]	dq [4]	m_cal [0]	vss	35
ma [2]	m_ck# [1]	vss	dq [23]	dq [22]	vss	dq [17]	dq [16]	vss	vss	dq [7]	dq [6]	vss	dq [1]	dq [0]	vss	m_cal [1]	vss	34
ma [1]	ma [3]	ma [4]	ma [6]	vss	ma [5]	ma [9]	ma [7]	ma [9]	ma [11]	ma [12]	vss	ba [2]	cke [0]	cke [1]	m_rst#	m_vref	vss	33
vcc1 p8	vcc1 p8	vcc1 p8	vcc1 p8	vcc1 p8	vcc1 p8	vcc1 p8	vcc1 p8	vcc1 p8	vcc1 p8	vcc1 p8	vcc1 p8	vcc1 p8	vcc1 p8	vcc1 p8	vcc1 p8	vcc1 p8	vcc1 p8	32
vcc1 p2x	vss	vcc1 p2x	vss	vcc1 p2x	vss	vcc1 p2x	vss	vcc1 p2x	vss	vcc1 p2x	vss	vcc3 p3	vcc3 p3	vss	tck	vss	trst#	31
vss	vcc1 p2x	vss	vcc1 p2x	vss	vcc1 p2x	vss	vcc1 p2x	vss	vcc1 p2x	vss	vcc1 p2x	vcc3 p3	vcc3 p3	vcc3 p3	tdo	tms	tdi	30
vcc3 p3plx	vss	vcc1 p2x	vssplld	vcc1 p2plld	vss	vcc1 p2x	vss	vcc1 p2x	vss	vcc1 p2x	vss	vcc3 p3	sd1	sda2	sda1	sc10	smbclk	29
vss	vcc1 p2x	vss	vcc1 p2x	vss	vcc1 p2x	vss	vcc1 p2x	vss	vcc1 p2x	vss	vcc1 p2x	vcc3 p3	sd2	vss	sda0	vss	smbdat	28
vcc1 p2x	vss	vcc1 p2x	vss	vcc1 p2x	vss	vcc1 p2x	vss	vcc1 p2x	vcc1 p2x	vcc1 p2x	vcc1 p2x	vcc1 p2x	vcc1 p2x	vcc1 p2x	vcc1 p2x	vcc1 p2x	vcc1 p2x	27
vss	vcc1 p2x	vss	vcc1 p2x	vss	vcc1 p2x	vss	vcc1 p2x	vss	vcc1 p2x	vss	vcc1 p2x	vcc1 p8e	vcc1 p8e	vcc1 p8e	vcc1 p8e	vcc1 p8e	vcc1 p8e	26
vcc1 p2x	vss	vcc1 p2x	vss	vcc1 p2x	vss	vcc1 p2x	vss	vcc1 p2x	vss	vcc1 p2x	vss	vcc1 p8e	vcc1 p8e	vsse	vsse	vsse	vsse	25
vss	vcc1 p2x	vss	vcc1 p2x	vss	vcc1 p2x	vss	vcc1 p2x	vss	vcc1 p2x	vss	vcc1 p2x	vcc1 p8e	vcc1 p8e	petn [7]	petp [7]	pern [7]	perp [7]	24
vcc1 p2x	vss	vcc1 p2x	vss	vcc1 p2x	vss	vcc1 p2x	vss	vcc1 p2x	vss	vcc1 p2	vss	vcc1 p2ae	vcc1 p8e	petn [6]	petp [6]	pern [6]	perp [6]	23
vss	vcc1 p2x	vss	vcc1 p2x	vss	vcc1 p2x	vss	vcc1 p2x	vss	vcc1 p2	vss	vcc1 p2ae	vcc1 p8e	vsse	vsse	vsse	vsse		22
vcc1 p2	vss	vcc1 p2	vss	vcc1 p2	vss	vcc1 p2	vss	vcc1 p2	vss	vcc1 p2	vss	vcc1 p2ae	vcc1 p8e	petn [5]	petp [5]	pern [5]	perp [5]	21
vss	vcc1 p2	vss	vcc1 p2	vss	vcc1 p2	vss	vcc1 p2	vss	vcc1 p2	refclkp	nc	nc	pe_cal p	petn [4]	petp [4]	pern [4]	perp [4]	20
vcc1 p2	vss	vcc1 p2	vss	vcc1 p2	vss	vcc1 p2	vss	vcc1 p2	vss	refclkn	nc	nc	pe_cal n	vsse	vsse	vsse	vsse	19
vss	vcc1 p2	vss	vcc1 p2	vss	vcc1 p2	vss	vcc1 p2	vss	vcc1 p2	vss	vcc1 p2	vcc1 p2ae	vcc1 p8e	petn [3]	petp [3]	pern [3]	perp [3]	18
vcc1 p2	vss	vcc1 p2	vss	vcc1 p2	vss	vcc1 p2	vss	vcc1 p2	vss	vcc1 p2	vss	vcc1 p2ae	vcc1 p8e	petn [2]	petp [2]	pern [2]	perp [2]	17
vss	vcc1 p2	vss	vcc1 p2	vss	vcc1 p2	vss	vcc1 p2	vss	vcc1 p2	vss	vcc1 p2	vcc1 p2ae	vcc1 p2e	vsse	vsse	vsse	vsse	16
vcc1 p2	vss	vcc1 p2	vss	vcc1 p2	vss	vcc1 p2	vss	vcc1 p2	vss	vcc1 p2	vss	vcc1 p2ae	vcc1 p2e	petn [1]	petp [1]	pern [1]	perp [1]	15
vss	vcc1 p2	vss	vcc1 p2	vss	vcc1 p2	vss	vcc1 p2	vss	vcc1 p2	vss	vcc1 p2	vcc1 p2e	vcc1 p2e	petn [0]	petp [0]	pern [0]	perp [0]	14
vcc1 p2	vss	vcc1 p2	vss	vcc1 p2	vss	vcc1 p2	vss	vcc1 p2	vss	vcc1 p2	vss	vcc1 p2e	vcc1 p2e	vsse	vsse	vsse	vsse	13
vss	vcc1 p2	vss	vcc1 p2	vss	vcc1 p2	vss	vcc1 p2	vss	vcc1 p2	vss	vcc1 p2	vcc1 p2	vcc1 p2	vcc1 p2	vcc1 p2	vcc1 p2	vcc1 p2	12
vcc1 p2	vss	vcc1 p2	vss	vcc1 p2	vss	vcc1 p2	vss	vcc1 p2	vss	vcc1 p2	vss	vcc3 p3	pce# [1]	a [21]	a [19]	a [18]	a [22]	11
vss	vcc1 p2	vss	vcc1 p2	vss	vcc1 p2	vss	vcc1 p2	vss	vcc1 p2	vss	vcc1 p2	vcc3 p3	a [20]	vss	pce# [0]	vss	a [19]	10
vcc1 p2	vss	vcc1 p2	vss	vcc1 p2	vss	vcc1 p2	vss	vcc1 p2	vss	vcc1 p2	vss	vcc3 p3	nc	a [9]	a [12]	a [8]	a [14]	9
vss	vcc1 p2	vss	vcc1 p2	vss	vcc1 p2	vss	vcc1 p2	vss	vcc1 p2	vss	vcc1 p2	vcc3 p3	PUR1	a [10]	pb_rstout#	a [1]	a [6]	8
vcc1 p2	vss	vcc1 p2	vss	vcc1 p2	vss	vcc1 p2	vss	vcc1 p2	vss	vcc1 p2	vss	vcc3 p3	a [11]	vss	a [15]	vss	a [2]	7
vccvio	vccvio	vcc3 p3	vccvio	vcc3 p3	vccvio	vccvio	vcc3 p3	vccvio	vccvio	vcc3 p3	vcc3 p3	d [15]	a [16]	a [17]	a [3]	a [7]		6
p_ad [4]	vccvio	p_cbe# [7]	p_parr#4	vccvio	p_ad [56]	p_ad [52]	vccvio	p_ad [44]	p_ad [40]	vccvio	p_ad [32]	d [10]	vcc3 p3	d [9]	d [4]	a [4]	a [5]	5
p_ad [6]	p_ad [0]	vss	p_cbe# [5]	p_ad [60]	vss	p_ad [54]	p_ad [48]	vss	p_ad [42]	p_ad [36]	vss	pce# [2]	d [2]	vss	d [3]	d [8]	d [1]	4
p_ad [5]	p_ad [2]	p_req#4#	p_ad [63]	p_ad [62]	p_ad [58]	p_ad [51]	p_ad [50]	p_ad [46]	p_ad [39]	p_ad [38]	p_ad [34]	pwe# [12]	d [11]	d [11]	a [20]	d [0]	vss	3
p_ad [7]	p_ad [1]	vss	p_cbe# [4]	p_ad [59]	vss	p_ad [53]	p_ad [47]	vss	p_ad [41]	p_ad [35]	vss	d [14]	d [6]	d [5]	a [0]	vss		2
p_ad [8]	p_ad [3]	p_ack#4#	p_cbe# [6]	p_ad [61]	p_ad [57]	p_ad [55]	p_ad [49]	p_ad [45]	p_ad [43]	p_ad [37]	p_ad [33]	a [24]	d [7]	d [13]	vss			1



Figure 5. Intel® 81348 I/O processor Ballout—Package Bottom (Left Side)

	AU	AT	AR	AP	AN	AM	AL	AK	AJ	AH	AG	AF	AE	AD	AC	AB	AA	Y	W
37			vss	dm [1]	dq [9]	dqs# [1]	dqs [1]	dq [15]	dq [11]	dq [28]	dq [24]	dq [25]	dqs# [3]	dqs [3]	dq [31]	dq [27]	cb [0]	cb [1]	dqs# [8]
36		vss	dq [12]	dq [13]	dq [8]	vss	dq [14]	dq [10]	vss	vss	dq [29]	dm [3]	vss	dq [30]	dq [26]	vss	cb [4]	cb [5]	dqs [8]
35	vss	m_cal [0]	dq [4]	dq [5]	dm [0]	dqs# [0]	dqs [0]	dq [2]	dq [3]	dq [20]	dq [21]	dm [2]	dqs# [2]	dqs [2]	dq [18]	dq [19]	m_ck [1]	vss	dm [8]
34	vss	m_cal [1]	vss	dq [0]	dq [1]	vss	dq [6]	dq [7]	vss	vss	dq [16]	dq [17]	vss	dq [22]	dq [23]	vss	m_ck# [1]	ma [2]	m_ck [0]
33	vss	m_wrf	m_rst#	cke [1]	cke [0]	ba [2]	vss	ma [12]	ma [11]	ma [8]	ma [7]	ma [8]	ma [5]	vss	ma [6]	ma [4]	ma [3]	ma [1]	vss
32	vcc1 p8	vcc1 p8	vcc1 p8	vcc1 p8	vcc1 p8	vcc1 p8	vcc1 p8	vcc1 p8	vcc1 p8	vcc1 p8	vcc1 p8	vcc1 p8	vcc1 p8	vcc1 p8	vcc1 p8	vcc1 p8	vcc1 p8	vcc1 p8	vcc1 p8
31	trst#	vss	tkc	vss	vcc3 p3	vcc3 p3	vss	vcc1 p2x	vss	vcc1 p2x	vss	vcc1 p2x	vss	vcc1 p2x	vss	vcc1 p2x	vss	vcc1 p2x	vss
30	tdi	tms	tdo	vcc3 p3	vcc3 p3	vcc1 p2x	vss	vcc1 p2x	vss	vcc1 p2x	vss	vcc1 p2x	vss	vcc1 p2x	vss	vcc1 p2x	vss	vcc1 p2x	vcc1 p2x
29	smbclk	sclo	sda1	sda2	sc1	vcc3 p3	vss	vcc1 p2x	vss	vcc1 p2x	vss	vcc1 p2x	vss	vcc1 p2ppld	vssplld	vcc1 p2x	vss	vcc3 p3pplx	nc
28	smbdat	vss	sda0	vss	sc2	vcc3 p3	vcc1 p2x	vss	vcc1 p2x	vss	vcc1 p2x	vss	vcc1 p2x	vss	vcc1 p2x	vss	vcc1 p2x	vss	vcc1 p2x
27	vcc1 p2x	vcc1 p2x	vcc1 p2x	vcc1 p2x	vcc1 p2x	vcc1 p2x	vcc1 p2x	vcc1 p2x	vcc1 p2x	vcc1 p2x	vss	vcc1 p2x	vss	vcc1 p2x	vss	vcc1 p2x	vss	vcc1 p2x	vss
26	vcc1 p8e	vcc1 p8e	vcc1 p8e	vcc1 p8e	vcc1 p8e	vcc1 p8e	vcc1 p2x	vss	vcc1 p2x	vss	vcc1 p2x	vss	vcc1 p2x	vss	vcc1 p2x	vss	vcc1 p2x	vss	vcc1 p2x
25	vsse	vsse	vsse	vsse	vcc1 p8e	vcc1 p8e	vss	vcc1 p2x	vss	vcc1 p2x	vss	vcc1 p2x	vss	vcc1 p2x	vss	vcc1 p2x	vss	vcc1 p2x	vss
24	perp [7]	pern [7]	petp [7]	petn [7]	vcc1 p8e	vcc1 p2ae	vcc1 p2x	vss	vcc1 p2x	vss	vcc1 p2x	vss	vcc1 p2x	vss	vcc1 p2x	vss	vcc1 p2x	vss	vcc1 p2x
23	perp [6]	pern [6]	petp [6]	petn [6]	vcc1 p8e	vcc1 p2ae	vss	vcc1 p2	vss	vcc1 p2x	vss	vcc1 p2x	vss	vcc1 p2x	vss	vcc1 p2x	vss	vcc1 p2x	vss
22	vsse	vsse	vsse	vsse	vcc1 p8e	vcc1 p2ae	vcc1 p2	vss	vcc1 p2	vss	vcc1 p2x	vss	vcc1 p2x	vss	vcc1 p2x	vss	vcc1 p2x	vss	vcc1 p2x
21	perp [5]	pern [5]	petp [5]	petn [5]	vcc1 p8e	vcc1 p2ae	vss	vcc1 p2	vss	vcc1 p2	vss	vcc1 p2	vss	vcc1 p2	vss	vcc1 p2	vss	vcc1 p2	vss
20	perp [4]	pern [4]	petp [4]	petn [4]	pe_cal p	nc	nc	refclkp	vcc1 p2	vss	vcc1 p2	vss	vcc1 p2	vss	vcc1 p2	vss	vcc1 p2	vss	vcc1 p2
19	vsse	vsse	vsse	vsse	pe_cal n	nc	nc	refclkn	vss	vcc1 p2	vss	vcc1 p2	vss	vcc1 p2	vss	vcc1 p2	vss	vcc1 p2	vss
18	perp [3]	pern [3]	petp [3]	petn [3]	vcc1 p8e	vcc1 p2ae	vcc1 p2	vss	vcc1 p2	vss	vcc1 p2	vss	vcc1 p2	vss	vcc1 p2	vss	vcc1 p2	vss	vcc1 p2
17	perp [2]	pern [2]	petp [2]	petn [2]	vcc1 p8e	vcc1 p2ae	vss	vcc1 p2	vss	vcc1 p2	vss	vcc1 p2	vss	vcc1 p2	vss	vcc1 p2	vss	vcc1 p2	vss
16	vsse	vsse	vsse	vsse	vcc1 p2e	vcc1 p2ae	vcc1 p2	vss	vcc1 p2	vss	vcc1 p2	vss	vcc1 p2	vss	vcc1 p2	vss	vcc1 p2	vss	vcc1 p2
15	perp [1]	pern [1]	petp [1]	petn [1]	vcc1 p2e	vcc1 p2ae	vss	vcc1 p2	vss	vcc1 p2	vss	vcc1 p2	vss	vcc1 p2	vss	vcc1 p2	vss	vcc1 p2	vss
14	perp [0]	pern [0]	petp [0]	petn [0]	vcc1 p2e	vcc1 p2e	vcc1 p2	vss	vcc1 p2	vss	vcc1 p2	vss	vcc1 p2	vss	vcc1 p2	vss	vcc1 p2	vss	vcc1 p2
13	vsse	vsse	vsse	vsse	vcc1 p2e	vcc1 p2e	vss	vcc1 p2	vss	vcc1 p2	vss	vcc1 p2	vss	vcc1 p2	vss	vcc1 p2	vss	vcc1 p2	vss
12	vcc1 p2	vcc1 p2	vcc1 p2	vcc1 p2	vcc1 p2	vcc1 p2	vcc1 p2	vss	vcc1 p2	vss	vcc1 p2	vss	vcc1 p2	vss	vcc1 p2	vss	vcc1 p2	vss	vcc1 p2
11	a [22]	a [18]	a [19]	a [21]	pce# [1]	vcc3 p3	vss	vcc1 p2	vss	vcc1 p2	vss	vcc1 p2	vss	vcc1 p2	vss	vcc1 p2	vss	vcc1 p2	vss
10	a [13]	vss	pce# [0]	vss	a [20]	vcc3 p3	vcc1 p2	vss	vcc1 p2	vss	vcc1 p2	vss	vcc1 p2	vss	vcc1 p2	vss	vcc1 p2	vss	vcc1 p2
9	a [14]	a [8]	a [12]	a [9]	nc	vcc3 p3	vss	vcc1 p2	vss	vcc1 p2	vss	vcc1 p2	vss	vcc1 p2	vss	vcc1 p2	vss	vcc1 p2	vss
8	a [6]	a [1]	pb_rst out#	a [10]	PUR1	vcc3 p3	vcc1 p2	vss	vcc1 p2	vss	vcc1 p2	vss	vcc1 p2	vss	vcc1 p2	vss	vcc1 p2	vss	vcc1 p2
7	a [2]	vss	a [15]	vss	a [11]	vcc3 p3	vss	vcc1 p2	vss	vcc1 p2	vss	vcc1 p2	vss	vcc1 p2	vss	vcc1 p2	vss	vcc1 p2	vss
6	a [7]	a [3]	a [17]	a [16]	d [15]	vcc3 p3	vcc3 p3	vccv10	vccv10	vcc3 p3	vccv10	vccv10	vcc3 p3	vccv10	vccv10	vcc3 p3	vccv10	vccv10	vcc3 p3
5	a [5]	a [4]	d [4]	d [9]	vcc3 p3	d [10]	p_ad [32]	vccv10	p_ad [40]	p_ad [44]	vccv10	p_ad [52]	p_ad [56]	vccv10	p_ad [64]	p_cbe# [7]	vccv10	p_ad [4]	p_ad [9]
4	d [1]	d [8]	d [3]	vss	d [2]	poer#	vss	p_ad [36]	p_ad [42]	vss	p_ad [48]	p_ad [54]	vss	p_ad [60]	p_cbe# [5]	vss	p_ad [0]	p_ad [6]	vss
3	vss	d [0]	a [23]	d [11]	d [12]	pwe#	p_ad [34]	p_ad [38]	p_ad [39]	p_ad [46]	p_ad [50]	p_ad [51]	p_ad [58]	p_ad [62]	p_ad [63]	p_req# [4]	p_ad [2]	p_ad [5]	p_cbe# [0]
2		vss	a [0]	d [5]	d [6]	d [14]	vss	p_ad [35]	p_ad [41]	vss	p_ad [47]	p_ad [53]	vss	p_ad [59]	p_cbe# [4]	vss	p_ad [1]	p_ad [7]	vss
1			vss	d [13]	d [7]	a [24]	p_ad [33]	p_ad [37]	p_ad [43]	p_ad [45]	p_ad [49]	p_ad [55]	p_ad [57]	p_ad [61]	p_cbe# [6]	p_ack# [3]	p_ad [3]	p_ad [8]	vss

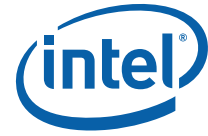


Figure 6. Intel® 81348 I/O processor Ballout—Package Bottom (Right Side)

V	U	T	R	P	N	M	L	K	J	H	G	F	E	D	C	B	A	
cb [6]	cb [2]	dq [44]	dq [40]	dq [41]	dqs# [5]	dqs [5]	dq [47]	dq [43]	dq [60]	dq [56]	dq [57]	dqs# [7]	dqs [7]	dq [63]	vss			37
cb [7]	cb [3]	vss	dq [45]	dm [5]	vss	dq [46]	dq [42]	vss	vss	dq [61]	dm [7]	vss	dq [62]	dq [58]	dq [59]	vss		36
vss	m_ck# [2]	dq [36]	dq [37]	dm [4]	dqs# [4]	dqs [4]	dq [34]	dq [36]	dq [52]	dq [53]	dm [6]	dqs# [6]	dqs [6]	dq [51]	dq [51]	nc	vss	35
m_ck# [0]	m_ck [2]	vss	dq [32]	dq [33]	vss	dq [38]	dq [39]	vss	vss	dq [48]	dq [49]	vss	dq [54]	dq [55]	vss	nc	nc	34
ma [0]	ba [1]	ma [10]	ba [0]	ras#	cs# [0]	vss	we#	cas#	odt [0]	ma [13]	cs# [1]	odt [1]	vss	nc	nc	nc	nc	33
vcc1 p8	vcc1 p8	vcc1 p8	vcc1 p8	vcc1 p8	vcc1 p8	vcc1 p8	vcc1 p8	vcc1 p8	vcc1 p8	vcc1 p8	vcc3 p3	vcc3 p3	nc	nc	nc	nc	nc	32
vcc1 p2x	vss	vcc1 p2x	vss	vcc1 p2x	vss	vcc1 p2x	vss	vcc1 p2x	vss	vcc1 p2x	vcc3 p3	nc	nc	nc	nc	nc	nc	31
vss	vcc1 p2x	vss	vcc1 p2x	vss	vcc1 p2x	vss	vcc1 p2x	vss	vcc1 p2x	vss	vcc3 p3	nc	nc	vss	nc	vss	nc	30
therm da	vsspllx	vcc1 p2x	vss	vcc1 p2x	vss	vcc1 p2x	vss	vcc1 p2x	vss	vcc1 p2x	vcc3 p3	nc	nc	nc	nc	nc	nc	29
therm dc	vcc1 p2x	vss	vcc1 p2x	vss	vcc1 p2x	vss	vcc1 p2x	vss	vcc1 p2x	vss	vcc3 p3	nc	nc	nc	nc	nc	nc	28
vcc1 p2x	vss	vcc1 p2x	vss	vcc1 p2x	vss	vcc1 p2x	vss	vcc1 p2x	vss	vcc1 p2x	vcc3 p3	s_stat3	s_act4	vss	s_stat5	vss	s_act1	27
vss	vcc1 p2x	vss	vcc1 p2x	vss	vcc1 p2x	vss	vcc1 p2x	vss	vcc1 p2x	vss	vcc3 p3	s_stat4	s_stat6	s_stat7	s_act0	s_stat2	s_act5	26
vcc1 p2x	vss	vcc1 p2x	vss	vcc1 p2x	vss	vcc1 p2x	vss	vcc1 p2x	vss	vcc1 p2x	vcc3 p3	s_act6	s_act7	s_act3	s_act2	s_stat0		25
vss	vcc1 p2x	vss	vcc1 p2x	vss	vcc1 p2x	vss	vcc1 p2x	vss	vcc1 p2	vcc1 p2as	vcc1 p2as	vcc1 p2as	vssas	vssas	vssas	vssas		24
vcc1 p2x	vss	vcc1 p2x	vss	vcc1 p2x	vss	vcc1 p2x	vss	vcc1 p2x	vss	vcc1 p2	vcc1 p2as	vcc1 p2as	s_txn [3]	s_txn [3]	s_txn [3]	s_txn [3]		23
vss	vcc1 p2x	vss	vcc1 p2x	vss	vcc1 p2x	vss	vcc1 p2x	vss	vcc1 p2	vcc1 p2as	vcc1 p2as	vcc1 p2as	s_txn [1]	s_txn [1]	s_txn [1]	s_txn [1]		22
vcc1 p2	vss	vcc1 p2	vss	vcc1 p2	vss	vcc1 p2	vss	vcc1 p2	vssplls 0	s_clkp	nc	nc	rbias_sense [0]	vssas	vssas	vssas	vssas	21
vss	vcc1 p2	vss	vcc1 p2	vss	vcc1 p2	vss	vcc1 p2	vss	vcc1 p2plls0	s_clkn	nc	nc	rbias [0]	s_txn [0]	s_txn [0]	s_txn [0]	s_txn [0]	20
vcc1 p2	vss	vcc1 p2	vss	vcc1 p2	vss	vcc1 p2	vss	vcc1 p2	vss	vcc1 p2	vcc1 p8s	vcc1 p8s	vcc1 p8s	s_txn [2]	s_txn [2]	s_txn [2]	s_txn [2]	19
vss	vcc1 p2	vss	vcc1 p2	vss	vcc1 p2	vss	vcc1 p2	vss	vcc1 p2	vss	vcc1 p8s	vcc1 p8s	vcc1 p8s	vssas	vssas	vssas	vssas	18
vcc1 p2	vss	vcc1 p2	vss	vcc1 p2	vss	vcc1 p2	vss	vcc1 p2	vss	vcc1 p2	vssds	vssds	vcc1 p2ds	s_txn [7]	s_txn [7]	s_txn [7]	s_txn [7]	17
vss	vcc1 p2	vss	vcc1 p2	vss	vcc1 p2	vss	vcc1 p2	vss	vssplls 1	vss	nc	nc	rbias_sense [1]	s_txn [5]	s_txn [5]	s_txn [5]	s_txn [5]	16
vcc1 p2	vss	vcc1 p2	vss	vcc1 p2	vss	vcc1 p2	vss	vcc1 p2	vcc1 p2plls1	vss	nc	nc	rbias [1]	vssas	vssas	vssas	vssas	15
vss	vcc1 p2	vss	vcc1 p2	vss	vcc1 p2	vss	vcc1 p2	vss	vcc1 p2	vssds	vcc1 p2ds	vssds	vcc1 p2ds	s_txn [4]	s_txn [4]	s_txn [4]	s_txn [4]	14
vcc1 p2	vss	vcc1 p2	vss	vcc1 p2	vss	vcc1 p2	vss	vcc1 p2	vss	vcc1 p2	vcc1 p2ds	vssds	vcc1 p2ds	s_txn [6]	s_txn [6]	s_txn [6]	s_txn [6]	13
vss	vcc1 p2	vss	vcc1 p2	vss	vcc1 p2	vss	vcc1 p2	vss	vcc1 p2	vss	vcc1 p2ds	vcc1 p2ds	vssds	vssas	vssas	vssas	vssas	12
vcc1 p2	vss	vcc1 p2	vss	vcc1 p2pllp	vsspllp	vcc1 p2	vss	vcc1 p2	vss	vcc1 p2	vss	vcc1 p3	gpio [6]	gpio [5]	gpio [7]	gpio [3]	gpio [1]	11
vss	vcc1 p2	vss	vcc1 p2	vss	vcc1 p2	vss	vcc1 p2	vss	vcc1 p2	vss	vcc1 p2	vcc3 p3	gpio [4]	vss	gpio [2]	vss	gpio [0]	10
vcc1 p2	vss	vcc1 p2	vss	vcc1 p2	vss	vcc1 p2	vss	vcc1 p2	vss	vcc1 p2	vss	vcc3 p3	xint# [7]	xint# [4]	xint# [5]	xint# [3]	xint# [1]	9
vss	vcc1 p2	vss	vcc1 p2	vss	vcc1 p2	vss	vcc1 p2	vss	vcc1 p2	vss	vcc1 p2	vcc3 p3	hs_led_out	nmi#	xint# [6]	xint# [0]	xint# [2]	8
vcc1 p2	vss	vcc1 p2	vss	vcc1 p2	vss	vcc1 p2	vss	vcc1 p2	vss	vcc1 p2	vss	vcc3 p3	nmi#	vss	hpi#	vss	hs_enum#	7
vcc3 p3	vccv10	vcc3 p3	vcc3 p3	vccv10	vcc3 p3	vccv10	vccv10	vcc3 p3	vcc3 p3	vccv10	vcc3 p3	vcc3 p3	hs_freq [0]	hs_freq [1]	hs_lstat	u0_rx d	u0_rts#	6
p_ad [13]	vccv10	p_trdy#	p_ad [16]	vccv10	p_idsel	p_ad [26]	vccv10	p_ad [31]	p_gnt# [0]	vccv10	p_gnt# [3]	p_cal [0]	vcc3 p3	nc	u1_rx d	u0_tx d	u0_cts#	5
p_ad [11]	p_par	vss	p_frame#	p_ad [20]	vss	p_ad [24]	p_ad [30]	vss	p_gnt# [1]	p_req# [3]	vss	p_bmi	warm_rst#	vss	u1_rts#	u1_tx d	u1_cts#	4
p_ad [12]	p_ad [15]	p_stop#	p_devsel #	p_ad [18]	p_ad [22]	p_ad [23]	p_ad [28]	nc	p_gnt# [2]	p_req# [2]	p_cal [1]	nc	p_cal [2]	p_cal [2]	p_ciko [2]	p_ciko [3]	vss	3
p_ad [10]	p_cbe# [1]	vss	p_pcixca p	p_cbe# [2]	vss	p_ad [21]	p_ad [25]	vss	nc	nc	vss	p_rst#	vss	p_clkout	p_ciko [0]	vss		2
p_m66en	p_ad [14]	p_serr#	p_perr#	p_irdy#	p_ad [17]	p_ad [19]	p_cbe# [3]	p_ad [29]	p_req# [0]	p_req# [1]	nc	p_rstout#	p_ciko [1]	p_cikn	vss			1



Table 15. Intel® 81348 I/O processor 1357-Lead Package—Alphabetical Ball Listings (Sheet 1 of 8)

Ball	Signal	Ball	Signal	Ball	Signal	Ball	Signal	Ball	Signal
A1	-	B1	-	C1	vss	D1	p_clkln	E1	p_clko[1]
A2	-	B2	vss	C2	p_clko[0]	D2	p_clkout	E2	vss
A3	vss	B3	p_clko[3]	C3	p_clko[2]	D3	p_cal[2]	E3	nc
A4	u1_cts#	B4	u1_txd	C4	u1_rts#	D4	vss	E4	warm_rst#
A5	u0_cts#	B5	u0_txd	C5	u1_rxd	D5	nc	E5	vcc3p3
A6	u0_rts#	B6	u0_rxd	C6	hs_lstat	D6	hs_freq[1]	E6	hs_freq[0]
A7	hs_enum#	B7	vss	C7	hpi#	D7	vss	E7	nmi1#
A8	xint#[2]	B8	xint#[0]	C8	xint#[6]	D8	nmi0#	E8	hs_led_out
A9	xint#[1]	B9	xint#[3]	C9	xint#[5]	D9	xint#[4]	E9	xint#[7]
A10	gpio[0]	B10	vss	C10	gpio[2]	D10	vss	E10	gpio[4]
A11	gpio[1]	B11	gpio[3]	C11	gpio[7]	D11	gpio[5]	E11	gpio[6]
A12	vssas	B12	vssas	C12	vssas	D12	vssas	E12	vssds
A13	s_rxp[6]	B13	s_rxn[6]	C13	s_txp[6]	D13	s_txn[6]	E13	vcc1p2ds
A14	s_rxp[4]	B14	s_rxn[4]	C14	s_txp[4]	D14	s_txn[4]	E14	vssds
A15	vssas	B15	vssas	C15	vssas	D15	vssas	E15	rbias[1]
A16	s_rxp[5]	B16	s_rxn[5]	C16	s_txp[5]	D16	s_txn[5]	E16	rbias_sense[1]
A17	s_rxp[7]	B17	s_rxn[7]	C17	s_txp[7]	D17	s_txn[7]	E17	vcc1p2ds
A18	vssas	B18	vssas	C18	vssas	D18	vssas	E18	vcc1p8s
A19	s_rxp[2]	B19	s_rxn[2]	C19	s_txp[2]	D19	s_txn[2]	E19	vcc1p8s
A20	s_rxp[0]	B20	s_rxn[0]	C20	s_txp[0]	D20	s_txn[0]	E20	rbias[0]
A21	vssas	B21	vssas	C21	vssas	D21	vssas	E21	rbias_sense[0]
A22	s_rxp[1]	B22	s_rxn[1]	C22	s_txp[1]	D22	s_txn[1]	E22	vcc1p2as
A23	s_rxp[3]	B23	s_rxn[3]	C23	s_txp[3]	D23	s_txn[3]	E23	vcc1p2as
A24	vssas	B24	vssas	C24	vssas	D24	vssas	E24	vcc1p2as
A25	s_stat0	B25	s_act2	C25	s_act3	D25	s_act7	E25	s_stat1
A26	s_act5	B26	s_stat2	C26	s_act0	D26	s_stat7	E26	s_stat6
A27	s_act1	B27	vss	C27	s_stat5	D27	vss	E27	s_act4
A28	nc	B28	nc	C28	nc	D28	nc	E28	nc
A29	nc	B29	nc	C29	nc	D29	nc	E29	nc
A30	nc	B30	vss	C30	nc	D30	vss	E30	nc
A31	nc	B31	nc	C31	nc	D31	nc	E31	nc
A32	nc	B32	nc	C32	nc	D32	nc	E32	nc
A33	nc	B33	nc	C33	nc	D33	nc	E33	vss
A34	nc	B34	nc	C34	vss	D34	dq[55]	E34	dq[54]
A35	vss	B35	nc	C35	dq[51]	D35	dq[50]	E35	dqs[6]
A36	-	B36	vss	C36	dq[59]	D36	dq[58]	E36	dq[62]
A37	-	B37	-	C37	vss	D37	dq[63]	E37	dqs[7]



Table 15. Intel® 81348 I/O processor 1357-Lead Package—Alphabetical Ball Listings (Sheet 2 of 8)

Ball	Signal	Ball	Signal	Ball	Signal	Ball	Signal	Ball	Signal
F1	p_rstout#	G2	vss	H3	p_gnt#[2]	J4	p_gnt#[1]	K5	p_ad[31]
F2	p_rst#	G3	p_req#[2]	H4	p_req#[3]	J5	p_gnt#[0]	K6	vcc3p3
F3	p_cal[1]	G4	vss	H5	vccvio	J6	vcc3p3	K7	vcc1p2
F4	p_bmi	G5	p_gnt#[3]	H6	vccvio	J7	vss	K8	vss
F5	p_cal[0]	G6	vcc3p3	H7	vcc1p2	J8	vcc1p2	K9	vcc1p2
F6	vcc3p3	G7	vss	H8	vss	J9	vss	K10	vss
F7	vcc3p3	G8	vcc1p2	H9	vcc1p2	J10	vcc1p2	K11	vcc1p2
F8	vcc3p3	G9	vss	H10	vss	J11	vss	K12	vss
F9	vcc3p3	G10	vcc1p2	H11	vcc1p2	J12	vcc1p2	K13	vcc1p2
F10	vcc3p3	G11	vss	H12	vss	J13	vss	K14	vss
F11	vcc3p3	G12	vcc1p2ds	H13	vcc1p2	J14	vcc1p2	K15	vcc1p2
F12	vcc1p2ds	G13	vcc1p2ds	H14	vss	J15	vcc1p2p1s1	K16	vss
F13	vssds	G14	vssds	H15	vss	J16	vssp1s1	K17	vcc1p2
F14	vcc1p2ds	G15	nc	H16	vss	J17	vss	K18	vss
F15	nc	G16	nc	H17	vcc1p2	J18	vcc1p2	K19	vcc1p2
F16	nc	G17	vssds	H18	vss	J19	vss	K20	vss
F17	vssds	G18	vcc1p8s	H19	vcc1p2	J20	vcc1p2p1s0	K21	vcc1p2
F18	vcc1p8s	G19	vcc1p8s	H20	s_clkn0	J21	vssp1s0	K22	vss
F19	vcc1p8s	G20	nc	H21	s_clkp0	J22	vcc1p2	K23	vcc1p2x
F20	nc	G21	nc	H22	vss	J23	vss	K24	vss
F21	nc	G22	vcc1p2as	H23	vcc1p2	J24	vcc1p2	K25	vcc1p2x
F22	vcc1p2as	G23	vcc1p2as	H24	vss	J25	vss	K26	vss
F23	vcc1p2as	G24	vcc1p2as	H25	vcc1p2x	J26	vcc1p2x	K27	vcc1p2x
F24	vcc1p2as	G25	vcc3p3	H26	vss	J27	vss	K28	vss
F25	s_act6	G26	vcc3p3	H27	vcc1p2x	J28	vcc1p2x	K29	vcc1p2x
F26	s_stat4	G27	vcc3p3	H28	vss	J29	vss	K30	vss
F27	s_stat3	G28	vcc3p3	H29	vcc1p2x	J30	vcc1p2x	K31	vcc1p2x
F28	nc	G29	vcc3p3	H30	vss	J31	vss	K32	vcc1p8
F29	nc	G30	vcc3p3	H31	vcc1p2x	J32	vcc1p8	K33	cas#
F30	nc	G31	vcc3p3	H32	vcc1p8	J33	odt[0]	K34	vss
F31	nc	G32	vcc3p3	H33	ma[13]	J34	vss	K35	dq[35]
F32	vcc3p3	G33	cs#[1]	H34	dq[48]	J35	dq[52]	K36	vss
F33	odt[1]	G34	dq[49]	H35	dq[53]	J36	vss	K37	dq[43]
F34	vss	G35	dm[6]	H36	dq[61]	J37	dq[60]	L1	p_cbe#[3]
F35	dqs#[6]	G36	dm[7]	H37	dq[56]	K1	p_ad[29]	L2	p_ad[25]
F36	vss	G37	dq[57]	J1	p_req#[0]	K2	vss	L3	p_ad[28]
F37	dqs#[7]	H1	p_req#[1]	J2	nc	K3	p_ad[27]	L4	p_ad[30]
G1	nc	H2	nc	J3	nc	K4	vss	L5	vccvio



Table 15. Intel® 81348 I/O processor 1357-Lead Package—Alphabetical Ball Listings (Sheet 3 of 8)

Ball	Signal	Ball	Signal	Ball	Signal	Ball	Signal	Ball	Signal
L6	vccvio	M7	vcc1p2	N8	vcc1p2	P9	vcc1p2	R10	vcc1p2
L7	vss	M8	vss	N9	vss	P10	vss	R11	vss
L8	vcc1p2	M9	vcc1p2	N10	vcc1p2	P11	vcc1p2pll	R12	vcc1p2
L9	vss	M10	vss	N11	vsspll	P12	vss	R13	vss
L10	vcc1p2	M11	vcc1p2	N12	vcc1p2	P13	vcc1p2	R14	vcc1p2
L11	vss	M12	vss	N13	vss	P14	vss	R15	vss
L12	vcc1p2	M13	vcc1p2	N14	vcc1p2	P15	vcc1p2	R16	vcc1p2
L13	vss	M14	vss	N15	vss	P16	vss	R17	vss
L14	vcc1p2	M15	vcc1p2	N16	vcc1p2	P17	vcc1p2	R18	vcc1p2
L15	vss	M16	vss	N17	vss	P18	vss	R19	vss
L16	vcc1p2	M17	vcc1p2	N18	vcc1p2	P19	vcc1p2	R20	vcc1p2
L17	vss	M18	vss	N19	vss	P20	vss	R21	vss
L18	vcc1p2	M19	vcc1p2	N20	vcc1p2	P21	vcc1p2	R22	vcc1p2x
L19	vss	M20	vss	N21	vss	P22	vss	R23	vss
L20	vcc1p2	M21	vcc1p2	N22	vcc1p2x	P23	vcc1p2x	R24	vcc1p2x
L21	vss	M22	vss	N23	vss	P24	vss	R25	vss
L22	vcc1p2x	M23	vcc1p2x	N24	vcc1p2x	P25	vcc1p2x	R26	vcc1p2x
L23	vss	M24	vss	N25	vss	P26	vss	R27	vss
L24	vcc1p2x	M25	vcc1p2x	N26	vcc1p2x	P27	vcc1p2x	R28	vcc1p2x
L25	vss	M26	vss	N27	vss	P28	vss	R29	vss
L26	vcc1p2x	M27	vcc1p2x	N28	vcc1p2x	P29	vcc1p2x	R30	vcc1p2x
L27	vss	M28	vss	N29	vss	P30	vss	R31	vss
L28	vcc1p2x	M29	vcc1p2x	N30	vcc1p2x	P31	vcc1p2x	R32	vcc1p8
L29	vss	M30	vss	N31	vss	P32	vcc1p8	R33	ba[0]
L30	vcc1p2x	M31	vcc1p2x	N32	vcc1p8	P33	ras#	R34	dq[32]
L31	vss	M32	vcc1p8	N33	cs#[0]	P34	dq[33]	R35	dq[37]
L32	vcc1p8	M33	vss	N34	vss	P35	dm[4]	R36	dq[45]
L33	we#	M34	dq[38]	N35	dqs#[4]	P36	dm[5]	R37	dq[40]
L34	dq[39]	M35	dqs[4]	N36	vss	P37	dq[41]	T1	p_serr#
L35	dq[34]	M36	dq[46]	N37	dqs#[5]	R1	p_perr#	T2	vss
L36	dq[42]	M37	dqs[5]	P1	p_irdy#	R2	p_pcixcap	T3	p_stop#
L37	dq[47]	N1	p_ad[17]	P2	p_cbe#[2]	R3	p_devsel#	T4	vss
M1	p_ad[19]	N2	vss	P3	p_ad[18]	R4	p_frame#	T5	p_trdy#
M2	p_ad[21]	N3	p_ad[22]	P4	p_ad[20]	R5	p_ad[16]	T6	vcc3p3
M3	p_ad[23]	N4	vss	P5	vccvio	R6	vcc3p3	T7	vcc1p2
M4	p_ad[24]	N5	p_idsel	P6	vccvio	R7	vss	T8	vss
M5	p_ad[26]	N6	vcc3p3	P7	vcc1p2	R8	vcc1p2	T9	vcc1p2
M6	vccvio	N7	vss	P8	vss	R9	vss	T10	vss



Table 15. Intel® 81348 I/O processor 1357-Lead Package—Alphabetical Ball Listings (Sheet 4 of 8)

Ball	Signal	Ball	Signal	Ball	Signal	Ball	Signal	Ball	Signal
T11	vcc1p2	U12	vcc1p2	V13	vcc1p2	W14	vcc1p2	Y15	vcc1p2
T12	vss	U13	vss	V14	vss	W15	vss	Y16	vss
T13	vcc1p2	U14	vcc1p2	V15	vcc1p2	W16	vcc1p2	Y17	vcc1p2
T14	vss	U15	vss	V16	vss	W17	vss	Y18	vss
T15	vcc1p2	U16	vcc1p2	V17	vcc1p2	W18	vcc1p2	Y19	vcc1p2
T16	vss	U17	vss	V18	vss	W19	vss	Y20	vss
T17	vcc1p2	U18	vcc1p2	V19	vcc1p2	W20	vcc1p2	Y21	vcc1p2
T18	vss	U19	vss	V20	vss	W21	vss	Y22	vss
T19	vcc1p2	U20	vcc1p2	V21	vcc1p2	W22	vcc1p2x	Y23	vcc1p2x
T20	vss	U21	vss	V22	vss	W23	vss	Y24	vss
T21	vcc1p2	U22	vcc1p2x	V23	vcc1p2x	W24	vcc1p2x	Y25	vcc1p2x
T22	vss	U23	vss	V24	vss	W25	vss	Y26	vss
T23	vcc1p2x	U24	vcc1p2x	V25	vcc1p2x	W26	vcc1p2x	Y27	vcc1p2x
T24	vss	U25	vss	V26	vss	W27	vss	Y28	vss
T25	vcc1p2x	U26	vcc1p2x	V27	vcc1p2x	W28	vcc1p2x	Y29	vcc3p3plx
T26	vss	U27	vss	V28	thermdc	W29	nc	Y30	vss
T27	vcc1p2x	U28	vcc1p2x	V29	thermda	W30	vcc1p2x	Y31	vcc1p2x
T28	vss	U29	vssplx	V30	vss	W31	vss	Y32	vcc1p8
T29	vcc1p2x	U30	vcc1p2x	V31	vcc1p2x	W32	vcc1p8	Y33	ma[1]
T30	vss	U31	vss	V32	vcc1p8	W33	vss	Y34	ma[2]
T31	vcc1p2x	U32	vcc1p8	V33	ma[0]	W34	m_ck[0]	Y35	vss
T32	vcc1p8	U33	ba[1]	V34	m_ck#[0]	W35	dm[8]	Y36	cb[5]
T33	ma[10]	U34	m_ck[2]	V35	vss	W36	dqs[8]	Y37	cb[1]
T34	vss	U35	m_ck#[2]	V36	cb[7]	W37	dqs#[8]	AA1	p_ad[3]
T35	dq[36]	U36	cb[3]	V37	cb[6]	Y1	p_ad[8]	AA2	p_ad[1]
T36	vss	U37	cb[2]	W1	vss	Y2	p_ad[7]	AA3	p_ad[2]
T37	dq[44]	V1	p_m66en	W2	vss	Y3	p_ad[5]	AA4	p_ad[0]
U1	p_ad[14]	V2	p_ad[10]	W3	p_cbe#[0]	Y4	p_ad[6]	AA5	vccvio
U2	p_cbe#[1]	V3	p_ad[12]	W4	vss	Y5	p_ad[4]	AA6	vccvio
U3	p_ad[15]	V4	p_ad[11]	W5	p_ad[9]	Y6	vccvio	AA7	vss
U4	p_par	V5	p_ad[13]	W6	vcc3p3	Y7	vcc1p2	AA8	vcc1p2
U5	vccvio	V6	vcc3p3	W7	vss	Y8	vss	AA9	vss
U6	vccvio	V7	vcc1p2	W8	vcc1p2	Y9	vcc1p2	AA10	vcc1p2
U7	vss	V8	vss	W9	vss	Y10	vss	AA11	vss
U8	vcc1p2	V9	vcc1p2	W10	vcc1p2	Y11	vcc1p2	AA12	vcc1p2
U9	vss	V10	vss	W11	vss	Y12	vss	AA13	vss
U10	vcc1p2	V11	vcc1p2	W12	vcc1p2	Y13	vcc1p2	AA14	vcc1p2
U11	vss	V12	vss	W13	vss	Y14	vss	AA15	vss



Table 15. Intel® 81348 I/O processor 1357-Lead Package—Alphabetical Ball Listings (Sheet 5 of 8)

Ball	Signal	Ball	Signal	Ball	Signal	Ball	Signal	Ball	Signal
AA16	vcc1p2	AB17	vcc1p2	AC18	vcc1p2	AD19	vcc1p2	AE20	vcc1p2
AA17	vss	AB18	vss	AC19	vss	AD20	vss	AE21	vss
AA18	vcc1p2	AB19	vcc1p2	AC20	vcc1p2	AD21	vcc1p2	AE22	vcc1p2x
AA19	vss	AB20	vss	AC21	vss	AD22	vss	AE23	vss
AA20	vcc1p2	AB21	vcc1p2	AC22	vcc1p2x	AD23	vcc1p2x	AE24	vcc1p2x
AA21	vss	AB22	vss	AC23	vss	AD24	vss	AE25	vss
AA22	vcc1p2x	AB23	vcc1p2x	AC24	vcc1p2x	AD25	vcc1p2x	AE26	vcc1p2x
AA23	vss	AB24	vss	AC25	vss	AD26	vss	AE27	vss
AA24	vcc1p2x	AB25	vcc1p2x	AC26	vcc1p2x	AD27	vcc1p2x	AE28	vcc1p2x
AA25	vss	AB26	vss	AC27	vss	AD28	vss	AE29	vss
AA26	vcc1p2x	AB27	vcc1p2x	AC28	vcc1p2x	AD29	vcc1p2plld	AE30	vcc1p2x
AA27	vss	AB28	vss	AC29	vssplld	AD30	vss	AE31	vss
AA28	vcc1p2x	AB29	vcc1p2x	AC30	vcc1p2x	AD31	vcc1p2x	AE32	vcc1p8
AA29	vss	AB30	vss	AC31	vss	AD32	vcc1p8	AE33	ma[5]
AA30	vcc1p2x	AB31	vcc1p2x	AC32	vcc1p8	AD33	vss	AE34	vss
AA31	vss	AB32	vcc1p8	AC33	ma[6]	AD34	dq[22]	AE35	dqs#[2]
AA32	vcc1p8	AB33	ma[4]	AC34	dq[23]	AD35	dqs[2]	AE36	vss
AA33	ma[3]	AB34	vss	AC35	dq[18]	AD36	dq[30]	AE37	dqs#[3]
AA34	m_ck#[1]	AB35	dq[19]	AC36	dq[26]	AD37	dqs[3]	AF1	p_ad[55]
AA35	m_ck[1]	AB36	vss	AC37	dq[31]	AE1	p_ad[57]	AF2	p_ad[53]
AA36	cb[4]	AB37	dq[27]	AD1	p_ad[61]	AE2	vss	AF3	p_ad[51]
AA37	cb[0]	AC1	p_cbe#[6]	AD2	p_ad[59]	AE3	p_ad[58]	AF4	p_ad[54]
AB1	p_ack64#	AC2	p_cbe#[4]	AD3	p_ad[62]	AE4	vss	AF5	p_ad[52]
AB2	vss	AC3	p_ad[63]	AD4	p_ad[60]	AE5	p_ad[56]	AF6	vccvio
AB3	p_req64#	AC4	p_cbe#[5]	AD5	vccvio	AE6	vcc3p3	AF7	vcc1p2
AB4	vss	AC5	p_par64	AD6	vccvio	AE7	vss	AF8	vss
AB5	p_cbe#[7]	AC6	vccvio	AD7	vcc1p2	AE8	vcc1p2	AF9	vcc1p2
AB6	vcc3p3	AC7	vss	AD8	vss	AE9	vss	AF10	vss
AB7	vcc1p2	AC8	vcc1p2	AD9	vcc1p2	AE10	vcc1p2	AF11	vcc1p2
AB8	vss	AC9	vss	AD10	vss	AE11	vss	AF12	vss
AB9	vcc1p2	AC10	vcc1p2	AD11	vcc1p2	AE12	vcc1p2	AF13	vcc1p2
AB10	vss	AC11	vss	AD12	vss	AE13	vss	AF14	vss
AB11	vcc1p2	AC12	vcc1p2	AD13	vcc1p2	AE14	vcc1p2	AF15	vcc1p2
AB12	vss	AC13	vss	AD14	vss	AE15	vss	AF16	vss
AB13	vcc1p2	AC14	vcc1p2	AD15	vcc1p2	AE16	vcc1p2	AF17	vcc1p2
AB14	vss	AC15	vss	AD16	vss	AE17	vss	AF18	vss
AB15	vcc1p2	AC16	vcc1p2	AD17	vcc1p2	AE18	vcc1p2	AF19	vcc1p2
AB16	vss	AC17	vss	AD18	vss	AE19	vss	AF20	vss



Table 15. Intel® 81348 I/O processor 1357-Lead Package—Alphabetical Ball Listings (Sheet 6 of 8)

Ball	Signal	Ball	Signal	Ball	Signal	Ball	Signal	Ball	Signal
AF21	vcc1p2	AG22	vcc1p2x	AH23	vcc1p2x	AJ24	vcc1p2x	AK25	vcc1p2x
AF22	vss	AG23	vss	AH24	vss	AJ25	vss	AK26	vss
AF23	vcc1p2x	AG24	vcc1p2x	AH25	vcc1p2x	AJ26	vcc1p2x	AK27	vcc1p2x
AF24	vss	AG25	vss	AH26	vss	AJ27	vcc1p2x	AK28	vss
AF25	vcc1p2x	AG26	vcc1p2x	AH27	vcc1p2x	AJ28	vcc1p2x	AK29	vcc1p2x
AF26	vss	AG27	vss	AH28	vss	AJ29	vss	AK30	vss
AF27	vcc1p2x	AG28	vcc1p2x	AH29	vcc1p2x	AJ30	vcc1p2x	AK31	vcc1p2x
AF28	vss	AG29	vss	AH30	vss	AJ31	vss	AK32	vcc1p8
AF29	vcc1p2x	AG30	vcc1p2x	AH31	vcc1p2x	AJ32	vcc1p8	AK33	ma[12]
AF30	vss	AG31	vss	AH32	vcc1p8	AJ33	ma[11]	AK34	dq[7]
AF31	vcc1p2x	AG32	vcc1p8	AH33	ma[9]	AJ34	vss	AK35	dq[2]
AF32	vcc1p8	AG33	ma[7]	AH34	vss	AJ35	dq[3]	AK36	dq[10]
AF33	ma[8]	AG34	dq[16]	AH35	dq[20]	AJ36	vss	AK37	dq[15]
AF34	dq[17]	AG35	dq[21]	AH36	vss	AJ37	dq[11]	AL1	p_ad[33]
AF35	dm[2]	AG36	dq[29]	AH37	dq[28]	AK1	p_ad[37]	AL2	vss
AF36	dm[3]	AG37	dq[24]	AJ1	p_ad[43]	AK2	p_ad[35]	AL3	p_ad[34]
AF37	dq[25]	AH1	p_ad[45]	AJ2	p_ad[41]	AK3	p_ad[38]	AL4	vss
AG1	p_ad[49]	AH2	vss	AJ3	p_ad[39]	AK4	p_ad[36]	AL5	p_ad[32]
AG2	p_ad[47]	AH3	p_ad[46]	AJ4	p_ad[42]	AK5	vccvio	AL6	vcc3p3
AG3	p_ad[50]	AH4	vss	AJ5	p_ad[40]	AK6	vccvio	AL7	vss
AG4	p_ad[48]	AH5	p_ad[44]	AJ6	vccvio	AK7	vcc1p2	AL8	vcc1p2
AG5	vccvio	AH6	vcc3p3	AJ7	vss	AK8	vss	AL9	vss
AG6	vccvio	AH7	vcc1p2	AJ8	vcc1p2	AK9	vcc1p2	AL10	vcc1p2
AG7	vss	AH8	vss	AJ9	vss	AK10	vss	AL11	vss
AG8	vcc1p2	AH9	vcc1p2	AJ10	vcc1p2	AK11	vcc1p2	AL12	vcc1p2
AG9	vss	AH10	vss	AJ11	vss	AK12	vss	AL13	vss
AG10	vcc1p2	AH11	vcc1p2	AJ12	vcc1p2	AK13	vcc1p2	AL14	vcc1p2
AG11	vss	AH12	vss	AJ13	vss	AK14	vss	AL15	vss
AG12	vcc1p2	AH13	vcc1p2	AJ14	vcc1p2	AK15	vcc1p2	AL16	vcc1p2
AG13	vss	AH14	vss	AJ15	vss	AK16	vss	AL17	vss
AG14	vcc1p2	AH15	vcc1p2	AJ16	vcc1p2	AK17	vcc1p2	AL18	vcc1p2
AG15	vss	AH16	vss	AJ17	vss	AK18	vss	AL19	nc
AG16	vcc1p2	AH17	vcc1p2	AJ18	vcc1p2	AK19	refclkp	AL20	nc
AG17	vss	AH18	vss	AJ19	vss	AK20	refclkp	AL21	vss
AG18	vcc1p2	AH19	vcc1p2	AJ20	vcc1p2	AK21	vcc1p2	AL22	vcc1p2
AG19	vss	AH20	vss	AJ21	vss	AK22	vss	AL23	vss
AG20	vcc1p2	AH21	vcc1p2	AJ22	vcc1p2	AK23	vcc1p2	AL24	vcc1p2x
AG21	vss	AH22	vss	AJ23	vss	AK24	vss	AL25	vss



Table 15. Intel® 81348 I/O processor 1357-Lead Package—Alphabetical Ball Listings (Sheet 7 of 8)

Ball	Signal	Ball	Signal	Ball	Signal	Ball	Signal	Ball	Signal
AL26	vcc1p2x	AM27	vcc1p2x	AN28	sci2	AP29	sda2	AR30	tdo
AL27	vcc1p2x	AM28	vcc3p3	AN29	sci1	AP30	vcc3p3	AR31	tck
AL28	vcc1p2x	AM29	vcc3p3	AN30	vcc3p3	AP31	vss	AR32	vcc1p8
AL29	vss	AM30	vcc3p3	AN31	vcc3p3	AP32	vcc1p8	AR33	m_rst#
AL30	vcc1p2x	AM31	vcc3p3	AN32	vcc1p8	AP33	cke[1]	AR34	vss
AL31	vss	AM32	vcc1p8	AN33	cke[0]	AP34	dq[0]	AR35	dq[4]
AL32	vcc1p8	AM33	ba[2]	AN34	dq[1]	AP35	dq[5]	AR36	dq[12]
AL33	vss	AM34	vss	AN35	dm[0]	AP36	dq[13]	AR37	vss
AL34	dq[6]	AM35	dqs#[0]	AN36	dq[8]	AP37	dm[1]	AT1	-
AL35	dqs[0]	AM36	vss	AN37	dq[9]	AR1	vss	AT2	vss
AL36	dq[14]	AM37	dqs#[1]	AP1	d[13]	AR2	a[0]	AT3	d[0]
AL37	dqs[1]	AN1	d[7]	AP2	d[5]	AR3	a[23]	AT4	d[8]
AM1	a[24]	AN2	d[6]	AP3	d[11]	AR4	d[3]	AT5	a[4]
AM2	d[14]	AN3	d[12]	AP4	vss	AR5	d[4]	AT6	a[3]
AM3	pwe#	AN4	d[2]	AP5	d[9]	AR6	a[17]	AT7	vss
AM4	poe#	AN5	vcc3p3	AP6	a[16]	AR7	a[15]	AT8	a[1]
AM5	d[10]	AN6	d[15]	AP7	vss	AR8	pb_rstout#	AT9	a[8]
AM6	vcc3p3	AN7	a[11]	AP8	a[10]	AR9	a[12]	AT10	vss
AM7	vcc3p3	AN8	PUR1	AP9	a[9]	AR10	pce#[0]	AT11	a[18]
AM8	vcc3p3	AN9	nc	AP10	vss	AR11	a[19]	AT12	vcc1p2
AM9	vcc3p3	AN10	a[20]	AP11	a[21]	AR12	vcc1p2	AT13	vsse
AM10	vcc3p3	AN11	pce#[1]	AP12	vcc1p2	AR13	vsse	AT14	pern[0]
AM11	vcc3p3	AN12	vcc1p2	AP13	vsse	AR14	petp[0]	AT15	pern[1]
AM12	vcc1p2	AN13	vcc1p2e	AP14	petn[0]	AR15	petp[1]	AT16	vsse
AM13	vcc1p2e	AN14	vcc1p2e	AP15	petn[1]	AR16	vsse	AT17	pern[2]
AM14	vcc1p2e	AN15	vcc1p2e	AP16	vsse	AR17	petp[2]	AT18	pern[3]
AM15	vcc1p2ae	AN16	vcc1p2e	AP17	petn[2]	AR18	petp[3]	AT19	vsse
AM16	vcc1p2ae	AN17	vcc1p8e	AP18	petn[3]	AR19	vsse	AT20	pern[4]
AM17	vcc1p2ae	AN18	vcc1p8e	AP19	vsse	AR20	petp[4]	AT21	pern[5]
AM18	vcc1p2ae	AN19	pe_caln	AP20	petn[4]	AR21	petp[5]	AT22	vsse
AM19	nc	AN20	pe_calp	AP21	petn[5]	AR22	vsse	AT23	pern[6]
AM20	nc	AN21	vcc1p8e	AP22	vsse	AR23	petp[6]	AT24	pern[7]
AM21	vcc1p2ae	AN22	vcc1p8e	AP23	petn[6]	AR24	petp[7]	AT25	vsse
AM22	vcc1p2ae	AN23	vcc1p8e	AP24	petn[7]	AR25	vsse	AT26	vcc1p8e
AM23	vcc1p2ae	AN24	vcc1p8e	AP25	vsse	AR26	vcc1p8e	AT27	vcc1p2x
AM24	vcc1p2ae	AN25	vcc1p8e	AP26	vcc1p8e	AR27	vcc1p2x	AT28	vss
AM25	vcc1p8e	AN26	vcc1p8e	AP27	vcc1p2x	AR28	sda0	AT29	sci0
AM26	vcc1p8e	AN27	vcc1p2x	AP28	vss	AR29	sda1	AT30	tms



Table 15. Intel® 81348 I/O processor 1357-Lead Package—Alphabetical Ball Listings (Sheet 8 of 8)

Ball	Signal	Ball	Signal	Ball	Signal	Ball	Signal	Ball	Signal
AT31	vss	AU3	vss	AU12	vcc1p2	AU21	perp[5]	AU30	tdi
AT32	vcc1p8	AU4	d[1]	AU13	vsse	AU22	vsse	AU31	trst#
AT33	m_vref	AU5	a[5]	AU14	perp[0]	AU23	perp[6]	AU32	vcc1p8
AT34	m_cal[1]	AU6	a[7]	AU15	perp[1]	AU24	perp[7]	AU33	vss
AT35	m_cal[0]	AU7	a[2]	AU16	vsse	AU25	vsse	AU34	vss
AT36	vss	AU8	a[6]	AU17	perp[2]	AU26	vcc1p8e	AU35	vss
AT37	-	AU9	a[14]	AU18	perp[3]	AU27	vcc1p2x	AU36	-
AU1	-	AU10	a[13]	AU19	vsse	AU28	smbdat	AU37	-
AU2	-	AU11	a[22]	AU20	perp[4]	AU29	smbclk		



Table 16. Intel® 81348 I/O processor 1357-Lead Package—Alphabetical Signal Listings (Sheet 1 of 8)

Signal	Ball	Signal	Ball	Signal	Ball	Signal	Ball	Signal	Ball
-	A1	ba[0]	R33	dm[5]	P36	dq[33]	P34	dqs#[6]	F35
-	A2	ba[1]	U33	dm[6]	G35	dq[34]	L35	dqs#[7]	F37
-	A36	ba[2]	AM33	dm[7]	G36	dq[35]	K35	dqs#[8]	W37
-	A37	cas#	K33	dm[8]	W35	dq[36]	T35	dqs[0]	AL35
-	B1	cb[0]	AA37	dq[0]	AP34	dq[37]	R35	dqs[1]	AL37
-	B37	cb[1]	Y37	dq[1]	AN34	dq[38]	M34	dqs[2]	AD35
-	AT1	cb[2]	U37	dq[2]	AK35	dq[39]	L34	dqs[3]	AD37
-	AT37	cb[3]	U36	dq[3]	AJ35	dq[40]	R37	dqs[4]	M35
-	AU1	cb[4]	AA36	dq[4]	AR35	dq[41]	P37	dqs[5]	M37
-	AU2	cb[5]	Y36	dq[5]	AP35	dq[42]	L36	dqs[6]	E35
-	AU36	cb[6]	V37	dq[6]	AL34	dq[43]	K37	dqs[7]	E37
-	AU37	cb[7]	V36	dq[7]	AK34	dq[44]	T37	dqs[8]	W36
a[0]	AR2	cke[0]	AN33	dq[8]	AN36	dq[45]	R36	gpio[0]	A10
a[1]	AT8	cke[1]	AP33	dq[9]	AN37	dq[46]	M36	gpio[1]	A11
a[2]	AU7	cs#[0]	N33	dq[10]	AK36	dq[47]	L37	gpio[2]	C10
a[3]	AT6	cs#[1]	G33	dq[11]	AJ37	dq[48]	H34	gpio[3]	B11
a[4]	AT5	d[0]	AT3	dq[12]	AR36	dq[49]	G34	gpio[4]	E10
a[5]	AU5	d[1]	AU4	dq[13]	AP36	dq[50]	D35	gpio[5]	D11
a[6]	AU8	d[2]	AN4	dq[14]	AL36	dq[51]	C35	gpio[6]	E11
a[7]	AU6	d[3]	AR4	dq[15]	AK37	dq[52]	J35	gpio[7]	C11
a[8]	AT9	d[4]	AR5	dq[16]	AG34	dq[53]	H35	hpi#	C7
a[9]	AP9	d[5]	AP2	dq[17]	AF34	dq[54]	E34	hs_enum#	A7
a[10]	AP8	d[6]	AN2	dq[18]	AC35	dq[55]	D34	hs_freq[0]	E6
a[11]	AN7	d[7]	AN1	dq[19]	AB35	dq[56]	H37	hs_freq[1]	D6
a[12]	AR9	d[8]	AT4	dq[20]	AH35	dq[57]	G37	hs_led_out	E8
a[13]	AU10	d[9]	AP5	dq[21]	AG35	dq[58]	D36	hs_lstat	C6
a[14]	AU9	d[10]	AM5	dq[22]	AD34	dq[59]	C36	m_cal[0]	AT35
a[15]	AR7	d[11]	AP3	dq[23]	AC34	dq[60]	J37	m_cal[1]	AT34
a[16]	AP6	d[12]	AN3	dq[24]	AG37	dq[61]	H36	m_ck#[0]	V34
a[17]	AR6	d[13]	AP1	dq[25]	AF37	dq[62]	E36	m_ck#[1]	AA34
a[18]	AT11	d[14]	AM2	dq[26]	AC36	dq[63]	D37	m_ck#[2]	U35
a[19]	AR11	d[15]	AN6	dq[27]	AB37	dqs#[0]	AM35	m_ck[0]	W34
a[20]	AN10	dm[0]	AN35	dq[28]	AH37	dqs#[1]	AM37	m_ck[1]	AA35
a[21]	AP11	dm[1]	AP37	dq[29]	AG36	dqs#[2]	AE35	m_ck[2]	U34
a[22]	AU11	dm[2]	AF35	dq[30]	AD36	dqs#[3]	AE37	m_rst#	AR33
a[23]	AR3	dm[3]	AF36	dq[31]	AC37	dqs#[4]	N35	m_vref	AT33
a[24]	AM1	dm[4]	P35	dq[32]	R34	dqs#[5]	N37	ma[0]	V33



Table 16. Intel® 81348 I/O processor 1357-Lead Package—Alphabetical Signal Listings (Sheet 2 of 8)

Signal	Ball	Signal	Ball	Signal	Ball	Signal	Ball	Signal	Ball
ma[1]	Y33	nc	D33	p_ad[4]	Y5	p_ad[42]	AJ4	p_clk0[3]	B3
ma[2]	Y34	nc	E3	p_ad[5]	Y3	p_ad[43]	AJ1	p_clkout	D2
ma[3]	AA33	nc	E28	p_ad[6]	Y4	p_ad[44]	AH5	p_devsel#	R3
ma[4]	AB33	nc	E29	p_ad[7]	Y2	p_ad[45]	AH1	p_frame#	R4
ma[5]	AE33	nc	E30	p_ad[8]	Y1	p_ad[46]	AH3	p_gnt#[0]	J5
ma[6]	AC33	nc	E31	p_ad[9]	W5	p_ad[47]	AG2	p_gnt#[1]	J4
ma[7]	AG33	nc	E32	p_ad[10]	V2	p_ad[48]	AG4	p_gnt#[2]	H3
ma[8]	AF33	nc	F15	p_ad[11]	V4	p_ad[49]	AG1	p_gnt#[3]	G5
ma[9]	AH33	nc	F16	p_ad[12]	V3	p_ad[50]	AG3	p_idsel	N5
ma[10]	T33	nc	F20	p_ad[13]	V5	p_ad[51]	AF3	p_irdy#	P1
ma[11]	AJ33	nc	F21	p_ad[14]	U1	p_ad[52]	AF5	p_m66en	V1
ma[12]	AK33	nc	F28	p_ad[15]	U3	p_ad[53]	AF2	p_par	U4
ma[13]	H33	nc	F29	p_ad[16]	R5	p_ad[54]	AF4	p_par64	AC5
nc	A28	nc	F30	p_ad[17]	N1	p_ad[55]	AF1	p_pciicap	R2
nc	A29	nc	F31	p_ad[18]	P3	p_ad[56]	AE5	p_perr#	R1
nc	A30	nc	G1	p_ad[19]	M1	p_ad[57]	AE1	p_req#[0]	J1
nc	A31	nc	G15	p_ad[20]	P4	p_ad[58]	AE3	p_req#[1]	H1
nc	A32	nc	G16	p_ad[21]	M2	p_ad[59]	AD2	p_req#[2]	G3
nc	A33	nc	G20	p_ad[22]	N3	p_ad[60]	AD4	p_req#[3]	H4
nc	A34	nc	G21	p_ad[23]	M3	p_ad[61]	AD1	p_req64#	AB3
nc	B28	nc	H2	p_ad[24]	M4	p_ad[62]	AD3	p_rst#	F2
nc	B29	nc	J2	p_ad[25]	L2	p_ad[63]	AC3	p_rstout#	F1
nc	B31	nc	J3	p_ad[26]	M5	p_bmi	F4	p_serr#	T1
nc	B32	nc	W29	p_ad[27]	K3	p_cal[0]	F5	p_stop#	T3
nc	B33	nc	AL19	p_ad[28]	L3	p_cal[1]	F3	p_trdy#	T5
nc	B34	nc	AL20	p_ad[29]	K1	p_cal[2]	D3	pb_rstout#	AR8
nc	B35	nc	AM19	p_ad[30]	L4	p_cbe#[0]	W3	pce#[0]	AR10
nc	C28	nc	AM20	p_ad[31]	K5	p_cbe#[1]	U2	pce#[1]	AN11
nc	C29	nc	AN9	p_ad[32]	AL5	p_cbe#[2]	P2	pe_caln	AN19
nc	C30	nmi0#	D8	p_ad[33]	AL1	p_cbe#[3]	L1	pe_calp	AN20
nc	C31	nmi1#	E7	p_ad[34]	AL3	p_cbe#[4]	AC2	pern[0]	AT14
nc	C32	odt[0]	J33	p_ad[35]	AK2	p_cbe#[5]	AC4	pern[1]	AT15
nc	C33	odt[1]	F33	p_ad[36]	AK4	p_cbe#[6]	AC1	pern[2]	AT17
nc	D5	p_ack64#	AB1	p_ad[37]	AK1	p_cbe#[7]	AB5	pern[3]	AT18
nc	D28	p_ad[0]	AA4	p_ad[38]	AK3	p_clkin	D1	pern[4]	AT20
nc	D29	p_ad[1]	AA2	p_ad[39]	AJ3	p_clko[0]	C2	pern[5]	AT21
nc	D31	p_ad[2]	AA3	p_ad[40]	AJ5	p_clko[1]	E1	pern[6]	AT23
nc	D32	p_ad[3]	AA1	p_ad[41]	AJ2	p_clko[2]	C3	pern[7]	AT24



Table 16. Intel® 81348 I/O processor 1357-Lead Package—Alphabetical Signal Listings (Sheet 3 of 8)

Signal	Ball	Signal	Ball	Signal	Ball	Signal	Ball	Signal	Ball
perp[0]	AU14	s_act5	A26	s_txp[1]	C22	vcc1p2	H23	vcc1p2	P7
perp[1]	AU15	s_act6	F25	s_txp[2]	C19	vcc1p2	J8	vcc1p2	P9
perp[2]	AU17	s_act7	D25	s_txp[3]	C23	vcc1p2	J10	vcc1p2	P13
perp[3]	AU18	s_clkn0	H20	s_txp[4]	C14	vcc1p2	J12	vcc1p2	P15
perp[4]	AU20	s_clkp0	H21	s_txp[5]	C16	vcc1p2	J14	vcc1p2	P17
perp[5]	AU21	s_rxn[0]	B20	s_txp[6]	C13	vcc1p2	J18	vcc1p2	P19
perp[6]	AU23	s_rxn[1]	B22	s_txp[7]	C17	vcc1p2	J22	vcc1p2	P21
perp[7]	AU24	s_rxn[2]	B19	scl0	AT29	vcc1p2	J24	vcc1p2	R8
petn[0]	AP14	s_rxn[3]	B23	scl1	AN29	vcc1p2	K7	vcc1p2	R10
petn[1]	AP15	s_rxn[4]	B14	scl2	AN28	vcc1p2	K9	vcc1p2	R12
petn[2]	AP17	s_rxn[5]	B16	sda0	AR28	vcc1p2	K11	vcc1p2	R14
petn[3]	AP18	s_rxn[6]	B13	sda1	AR29	vcc1p2	K13	vcc1p2	R16
petn[4]	AP20	s_rxn[7]	B17	sda2	AP29	vcc1p2	K15	vcc1p2	R18
petn[5]	AP21	s_rxp[0]	A20	smbclk	AU29	vcc1p2	K17	vcc1p2	R20
petn[6]	AP23	s_rxp[1]	A22	smbdat	AU28	vcc1p2	K19	vcc1p2	T7
petn[7]	AP24	s_rxp[2]	A19	tck	AR31	vcc1p2	K21	vcc1p2	T9
petp[0]	AR14	s_rxp[3]	A23	tdi	AU30	vcc1p2	L8	vcc1p2	T11
petp[1]	AR15	s_rxp[4]	A14	tdo	AR30	vcc1p2	L10	vcc1p2	T13
petp[2]	AR17	s_rxp[5]	A16	thermda	V29	vcc1p2	L12	vcc1p2	T15
petp[3]	AR18	s_rxp[6]	A13	thermdc	V28	vcc1p2	L14	vcc1p2	T17
petp[4]	AR20	s_rxp[7]	A17	tms	AT30	vcc1p2	L16	vcc1p2	T19
petp[5]	AR21	s_stat0	A25	trst#	AU31	vcc1p2	L18	vcc1p2	T21
petp[6]	AR23	s_stat1	E25	u0_cts#	A5	vcc1p2	L20	vcc1p2	U8
petp[7]	AR24	s_stat2	B26	u0_rts#	A6	vcc1p2	M7	vcc1p2	U10
poe#	AM4	s_stat3	F27	u0_rxd	B6	vcc1p2	M9	vcc1p2	U12
pwe#	AM3	s_stat4	F26	u0_txd	B5	vcc1p2	M11	vcc1p2	U14
ras#	P33	s_stat5	C27	u1_cts#	A4	vcc1p2	M13	vcc1p2	U16
rbias[0]	E20	s_stat6	E26	u1_rts#	C4	vcc1p2	M15	vcc1p2	U18
rbias[1]	E15	s_stat7	D26	u1_rxd	C5	vcc1p2	M17	vcc1p2	U20
rbias_sense[0]	E21	s_txn[0]	D20	u1_txd	B4	vcc1p2	M19	vcc1p2	V7
rbias_sense[1]	E16	s_txn[1]	D22	vcc1p2	G8	vcc1p2	M21	vcc1p2	V9
refclkn	AK19	s_txn[2]	D19	vcc1p2	G10	vcc1p2	N8	vcc1p2	V11
refclkp	AK20	s_txn[3]	D23	vcc1p2	H7	vcc1p2	N10	vcc1p2	V13
s_act0	C26	s_txn[4]	D14	vcc1p2	H9	vcc1p2	N12	vcc1p2	V15
s_act1	A27	s_txn[5]	D16	vcc1p2	H11	vcc1p2	N14	vcc1p2	V17
s_act2	B25	s_txn[6]	D13	vcc1p2	H13	vcc1p2	N16	vcc1p2	V19
s_act3	C25	s_txn[7]	D17	vcc1p2	H17	vcc1p2	N18	vcc1p2	V21
s_act4	E27	s_txp[0]	C20	vcc1p2	H19	vcc1p2	N20	vcc1p2	W8



Table 16. Intel® 81348 I/O processor 1357-Lead Package—Alphabetical Signal Listings (Sheet 4 of 8)

Signal	Ball	Signal	Ball	Signal	Ball	Signal	Ball	Signal	Ball
vcc1p2	W10	vcc1p2	AD11	vcc1p2	AJ12	vcc1p2as	F22	vcc1p2x	L30
vcc1p2	W12	vcc1p2	AD13	vcc1p2	AJ14	vcc1p2as	F23	vcc1p2x	M23
vcc1p2	W14	vcc1p2	AD15	vcc1p2	AJ16	vcc1p2as	F24	vcc1p2x	M25
vcc1p2	W16	vcc1p2	AD17	vcc1p2	AJ18	vcc1p2as	G22	vcc1p2x	M27
vcc1p2	W18	vcc1p2	AD19	vcc1p2	AJ20	vcc1p2as	G23	vcc1p2x	M29
vcc1p2	W20	vcc1p2	AD21	vcc1p2	AJ22	vcc1p2as	G24	vcc1p2x	M31
vcc1p2	Y7	vcc1p2	AE8	vcc1p2	AK7	vcc1p2ds	E13	vcc1p2x	N22
vcc1p2	Y9	vcc1p2	AE10	vcc1p2	AK9	vcc1p2ds	E17	vcc1p2x	N24
vcc1p2	Y11	vcc1p2	AE12	vcc1p2	AK11	vcc1p2ds	F12	vcc1p2x	N26
vcc1p2	Y13	vcc1p2	AE14	vcc1p2	AK13	vcc1p2ds	F14	vcc1p2x	N28
vcc1p2	Y15	vcc1p2	AE16	vcc1p2	AK15	vcc1p2ds	G12	vcc1p2x	N30
vcc1p2	Y17	vcc1p2	AE18	vcc1p2	AK17	vcc1p2ds	G13	vcc1p2x	P23
vcc1p2	Y19	vcc1p2	AE20	vcc1p2	AK21	vcc1p2e	AM13	vcc1p2x	P25
vcc1p2	Y21	vcc1p2	AF7	vcc1p2	AK23	vcc1p2e	AM14	vcc1p2x	P27
vcc1p2	AA8	vcc1p2	AF9	vcc1p2	AL8	vcc1p2e	AN13	vcc1p2x	P29
vcc1p2	AA10	vcc1p2	AF11	vcc1p2	AL10	vcc1p2e	AN14	vcc1p2x	P31
vcc1p2	AA12	vcc1p2	AF13	vcc1p2	AL12	vcc1p2e	AN15	vcc1p2x	R22
vcc1p2	AA14	vcc1p2	AF15	vcc1p2	AL14	vcc1p2e	AN16	vcc1p2x	R24
vcc1p2	AA16	vcc1p2	AF17	vcc1p2	AL16	vcc1p2plld	AD29	vcc1p2x	R26
vcc1p2	AA18	vcc1p2	AF19	vcc1p2	AL18	vcc1p2pllp	P11	vcc1p2x	R28
vcc1p2	AA20	vcc1p2	AF21	vcc1p2	AL22	vcc1p2plls0	J20	vcc1p2x	R30
vcc1p2	AB7	vcc1p2	AG8	vcc1p2	AM12	vcc1p2plls1	J15	vcc1p2x	T23
vcc1p2	AB9	vcc1p2	AG10	vcc1p2	AN12	vcc1p2x	H25	vcc1p2x	T25
vcc1p2	AB11	vcc1p2	AG12	vcc1p2	AP12	vcc1p2x	H27	vcc1p2x	T27
vcc1p2	AB13	vcc1p2	AG14	vcc1p2	AR12	vcc1p2x	H29	vcc1p2x	T29
vcc1p2	AB15	vcc1p2	AG16	vcc1p2	AT12	vcc1p2x	H31	vcc1p2x	T31
vcc1p2	AB17	vcc1p2	AG18	vcc1p2	AU12	vcc1p2x	J26	vcc1p2x	U22
vcc1p2	AB19	vcc1p2	AG20	vcc1p2ae	AM15	vcc1p2x	J28	vcc1p2x	U24
vcc1p2	AB21	vcc1p2	AH7	vcc1p2ae	AM16	vcc1p2x	J30	vcc1p2x	U26
vcc1p2	AC8	vcc1p2	AH9	vcc1p2ae	AM17	vcc1p2x	K23	vcc1p2x	U28
vcc1p2	AC10	vcc1p2	AH11	vcc1p2ae	AM18	vcc1p2x	K25	vcc1p2x	U30
vcc1p2	AC12	vcc1p2	AH13	vcc1p2ae	AM21	vcc1p2x	K27	vcc1p2x	V23
vcc1p2	AC14	vcc1p2	AH15	vcc1p2ae	AM22	vcc1p2x	K29	vcc1p2x	V25
vcc1p2	AC16	vcc1p2	AH17	vcc1p2ae	AM23	vcc1p2x	K31	vcc1p2x	V27
vcc1p2	AC18	vcc1p2	AH19	vcc1p2ae	AM24	vcc1p2x	L22	vcc1p2x	V31
vcc1p2	AC20	vcc1p2	AH21	vcc1p2as	E22	vcc1p2x	L24	vcc1p2x	W22
vcc1p2	AD7	vcc1p2	AJ8	vcc1p2as	E23	vcc1p2x	L26	vcc1p2x	W24
vcc1p2	AD9	vcc1p2	AJ10	vcc1p2as	E24	vcc1p2x	L28	vcc1p2x	W26



Table 16. Intel® 81348 I/O processor 1357-Lead Package—Alphabetical Signal Listings (Sheet 5 of 8)

Signal	Ball	Signal	Ball	Signal	Ball	Signal	Ball	Signal	Ball
vcc1p2x	W28	vcc1p2x	AG28	vcc1p8	W32	vcc1p8s	G19	vcc3p3	AM31
vcc1p2x	W30	vcc1p2x	AG30	vcc1p8	Y32	vcc3p3	E5	vcc3p3	AN5
vcc1p2x	Y23	vcc1p2x	AH23	vcc1p8	AA32	vcc3p3	F6	PUR1	AN8
vcc1p2x	Y25	vcc1p2x	AH25	vcc1p8	AB32	vcc3p3	F7	vcc3p3	AN30
vcc1p2x	Y27	vcc1p2x	AH27	vcc1p8	AC32	vcc3p3	F8	vcc3p3	AN31
vcc1p2x	Y31	vcc1p2x	AH29	vcc1p8	AD32	vcc3p3	F9	vcc3p3	AP30
vcc1p2x	AA22	vcc1p2x	AH31	vcc1p8	AE32	vcc3p3	F10	vcc3p3pll	Y29
vcc1p2x	AA24	vcc1p2x	AJ24	vcc1p8	AF32	vcc3p3	F11	vccvio	H5
vcc1p2x	AA26	vcc1p2x	AJ26	vcc1p8	AG32	vcc3p3	F32	vccvio	H6
vcc1p2x	AA28	vcc1p2x	AJ27	vcc1p8	AH32	vcc3p3	G6	vccvio	L5
vcc1p2x	AA30	vcc1p2x	AJ28	vcc1p8	AJ32	vcc3p3	G25	vccvio	L6
vcc1p2x	AB23	vcc1p2x	AJ30	vcc1p8	AK32	vcc3p3	G26	vccvio	M6
vcc1p2x	AB25	vcc1p2x	AK25	vcc1p8	AL32	vcc3p3	G27	vccvio	P5
vcc1p2x	AB27	vcc1p2x	AK27	vcc1p8	AM32	vcc3p3	G28	vccvio	P6
vcc1p2x	AB29	vcc1p2x	AK29	vcc1p8	AN32	vcc3p3	G29	vccvio	U5
vcc1p2x	AB31	vcc1p2x	AK31	vcc1p8	AP32	vcc3p3	G30	vccvio	U6
vcc1p2x	AC22	vcc1p2x	AL24	vcc1p8	AR32	vcc3p3	G31	vccvio	Y6
vcc1p2x	AC24	vcc1p2x	AL26	vcc1p8	AT32	vcc3p3	G32	vccvio	AA5
vcc1p2x	AC26	vcc1p2x	AL27	vcc1p8	AU32	vcc3p3	J6	vccvio	AA6
vcc1p2x	AC28	vcc1p2x	AL28	vcc1p8e	AM25	vcc3p3	K6	vccvio	AC6
vcc1p2x	AC30	vcc1p2x	AL30	vcc1p8e	AM26	vcc3p3	N6	vccvio	AD5
vcc1p2x	AD23	vcc1p2x	AM27	vcc1p8e	AN17	vcc3p3	R6	vccvio	AD6
vcc1p2x	AD25	vcc1p2x	AN27	vcc1p8e	AN18	vcc3p3	T6	vccvio	AF6
vcc1p2x	AD27	vcc1p2x	AP27	vcc1p8e	AN21	vcc3p3	V6	vccvio	AG5
vcc1p2x	AD31	vcc1p2x	AR27	vcc1p8e	AN22	vcc3p3	W6	vccvio	AG6
vcc1p2x	AE22	vcc1p2x	AT27	vcc1p8e	AN23	vcc3p3	AB6	vccvio	AJ6
vcc1p2x	AE24	vcc1p2x	AU27	vcc1p8e	AN24	vcc3p3	AE6	vccvio	AK5
vcc1p2x	AE26	vcc1p8	H32	vcc1p8e	AN25	vcc3p3	AH6	vccvio	AK6
vcc1p2x	AE28	vcc1p8	J32	vcc1p8e	AN26	vcc3p3	AL6	vss	A3
vcc1p2x	AE30	vcc1p8	K32	vcc1p8e	AP26	vcc3p3	AM6	vss	A35
vcc1p2x	AF23	vcc1p8	L32	vcc1p8e	AR26	vcc3p3	AM7	vss	B2
vcc1p2x	AF25	vcc1p8	M32	vcc1p8e	AT26	vcc3p3	AM8	vss	B7
vcc1p2x	AF27	vcc1p8	N32	vcc1p8e	AU26	vcc3p3	AM9	vss	B10
vcc1p2x	AF29	vcc1p8	P32	vcc1p8s	E18	vcc3p3	AM10	vss	B27
vcc1p2x	AF31	vcc1p8	R32	vcc1p8s	E19	vcc3p3	AM11	vss	B30
vcc1p2x	AG22	vcc1p8	T32	vcc1p8s	F18	vcc3p3	AM28	vss	B36
vcc1p2x	AG24	vcc1p8	U32	vcc1p8s	F19	vcc3p3	AM29	vss	C1
vcc1p2x	AG26	vcc1p8	V32	vcc1p8s	G18	vcc3p3	AM30	vss	C34



Table 16. Intel® 81348 I/O processor 1357-Lead Package—Alphabetical Signal Listings (Sheet 6 of 8)

Signal	Ball	Signal	Ball	Signal	Ball	Signal	Ball	Signal	Ball
vss	C37	vss	J34	vss	M22	vss	R15	vss	V10
vss	D4	vss	J36	vss	M24	vss	R17	vss	V12
vss	D7	vss	K2	vss	M26	vss	R19	vss	V14
vss	D10	vss	K4	vss	M28	vss	R2 1	vss	V16
vss	D27	vss	K8	vss	M30	vss	R2 3	vss	V18
vss	D30	vss	K10	vss	M33	vss	R2 5	vss	V20
vss	E2	vss	K12	vss	N2	vss	R2 7	vss	V22
vss	E33	vss	K14	vss	N4	vss	R2 9	vss	V24
vss	F34	vss	K16	vss	N7	vss	R3 1	vss	V26
vss	F36	vss	K18	vss	N9	vss	T2	vss	V30
vss	G2	vss	K20	vss	N13	vss	T4	vss	V35
vss	G4	vss	K22	vss	N15	vss	T8	vss	W1
vss	G7	vss	K24	vss	N17	vss	T10	vss	W2
vss	G9	vss	K26	vss	N19	vss	T12	vss	W4
vss	G11	vss	K28	vss	N21	vss	T14	vss	W7
vss	H8	vss	K30	vss	N23	vss	T16	vss	W9
vss	H10	vss	K34	vss	N25	vss	T18	vss	W11
vss	H12	vss	K36	vss	N27	vss	T20	vss	W13
vss	H14	vss	L7	vss	N29	vss	T22	vss	W15
vss	H15	vss	L9	vss	N31	vss	T24	vss	W17
vss	H16	vss	L11	vss	N34	vss	T26	vss	W19
vss	H18	vss	L13	vss	N36	vss	T28	vss	W2 1
vss	H22	vss	L15	vss	P8	vss	T30	vss	W2 3
vss	H24	vss	L17	vss	P10	vss	T34	vss	W2 5
vss	H26	vss	L19	vss	P12	vss	T36	vss	W2 7
vss	H28	vss	L21	vss	P14	vss	U7	vss	W3 1
vss	H30	vss	L23	vss	P16	vss	U9	vss	W3 3
vss	J7	vss	L25	vss	P18	vss	U11	vss	Y8
vss	J9	vss	L27	vss	P20	vss	U13	vss	Y10
vss	J11	vss	L29	vss	P22	vss	U15	vss	Y12
vss	J13	vss	L31	vss	P24	vss	U17	vss	Y14
vss	J17	vss	M8	vss	P26	vss	U19	vss	Y16
vss	J19	vss	M10	vss	P28	vss	U2 1	vss	Y18
vss	J2 3	vss	M12	vss	P30	vss	U2 3	vss	Y20
vss	J2 5	vss	M14	vss	R7	vss	U2 5	vss	Y2 2
vss	J2 7	vss	M16	vss	R9	vss	U2 7	vss	Y2 4
vss	J2 9	vss	M18	vss	R11	vss	U3 1	vss	Y2 6
vss	J3 1	vss	M20	vss	R13	vss	V8	vss	Y2 8



Table 16. Intel® 81348 I/O processor 1357-Lead Package—Alphabetical Signal Listings (Sheet 7 of 8)

Signal	Ball	Signal	Ball	Signal	Ball	Signal	Ball	Signal	Ball
vss	Y30	vss	AC21	vss	AF14	vss	AJ7	vss	AL33
vss	Y35	vss	AC23	vss	AF16	vss	AJ9	vss	AM34
vss	AA7	vss	AC25	vss	AF18	vss	AJ11	vss	AM36
vss	AA9	vss	AC27	vss	AF20	vss	AJ13	vss	AP4
vss	AA11	vss	AC31	vss	AF22	vss	AJ15	vss	AP7
vss	AA13	vss	AD8	vss	AF24	vss	AJ17	vss	AP10
vss	AA15	vss	AD10	vss	AF26	vss	AJ19	vss	AP28
vss	AA17	vss	AD12	vss	AF28	vss	AJ21	vss	AP31
vss	AA19	vss	AD14	vss	AF30	vss	AJ23	vss	AR1
vss	AA21	vss	AD16	vss	AG7	vss	AJ25	vss	AR34
vss	AA23	vss	AD18	vss	AG9	vss	AJ29	vss	AR37
vss	AA25	vss	AD20	vss	AG11	vss	AJ31	vss	AT2
vss	AA27	vss	AD22	vss	AG13	vss	AJ34	vss	AT7
vss	AA29	vss	AD24	vss	AG15	vss	AJ36	vss	AT10
vss	AA31	vss	AD26	vss	AG17	vss	AK8	vss	AT28
vss	AB2	vss	AD28	vss	AG19	vss	AK10	vss	AT31
vss	AB4	vss	AD30	vss	AG21	vss	AK12	vss	AT36
vss	AB8	vss	AD33	vss	AG23	vss	AK14	vss	AU3
vss	AB10	vss	AE2	vss	AG25	vss	AK16	vss	AU33
vss	AB12	vss	AE4	vss	AG27	vss	AK18	vss	AU34
vss	AB14	vss	AE7	vss	AG29	vss	AK22	vss	AU35
vss	AB16	vss	AE9	vss	AG31	vss	AK24	vssa s	A12
vss	AB18	vss	AE11	vss	AH2	vss	AK26	vssa s	A15
vss	AB20	vss	AE13	vss	AH4	vss	AK28	vssa s	A18
vss	AB22	vss	AE15	vss	AH8	vss	AK30	vssa s	A21
vss	AB24	vss	AE17	vss	AH10	vss	AL2	vssa s	A24
vss	AB26	vss	AE19	vss	AH12	vss	AL4	vssa s	B12
vss	AB28	vss	AE21	vss	AH14	vss	AL7	vssa s	B15
vss	AB30	vss	AE23	vss	AH16	vss	AL9	vssa s	B18
vss	AB34	vss	AE25	vss	AH18	vss	AL11	vssa s	B21
vss	AB36	vss	AE27	vss	AH20	vss	AL13	vssa s	B24
vss	AC7	vss	AE29	vss	AH22	vss	AL15	vssa s	C12
vss	AC9	vss	AE31	vss	AH24	vss	AL17	vssa s	C15
vss	AC11	vss	AE34	vss	AH26	vss	AL21	vssa s	C18
vss	AC13	vss	AE36	vss	AH28	vss	AL23	vssa s	C21
vss	AC15	vss	AF8	vss	AH30	vss	AL25	vssa s	C24
vss	AC17	vss	AF10	vss	AH34	vss	AL29	vssa s	D12
vss	AC19	vss	AF12	vss	AH36	vss	AL31	vssa s	D15



Table 16. Intel® 81348 I/O processor 1357-Lead Package—Alphabetical Signal Listings (Sheet 8 of 8)

Signal	Ball	Signal	Ball	Signal	Ball	Signal	Ball	Signal	Ball
vssas	D18	vsse	AP13	vsse	AR25	vsse	AU22	xint#[0]	B8
vssas	D21	vsse	AP16	vsse	AT13	vsse	AU25	xint#[1]	A9
vssas	D24	vsse	AP19	vsse	AT16	vssp d	AC29	xint#[2]	A8
vssds	E12	vsse	AP22	vsse	AT19	vssp p	N11	xint#[3]	B9
vssds	E14	vsse	AP25	vsse	AT22	vssp s0	J21	xint#[4]	D9
vssds	F13	vsse	AR13	vsse	AT25	vssp s1	J16	xint#[5]	C9
vssds	F17	vsse	AR16	vsse	AU13	vssp x	U29	xint#[6]	C8
vssds	G14	vsse	AR19	vsse	AU16	warm_rst#	E4	xint#[7]	E9
vssds	G17	vsse	AR22	vsse	AU19	we#	L33		



4.0 Electrical Specifications

Table 17. Absolute Maximum Ratings

Parameter	Maximum Rating
Storage temperature	-10°C to +45°C
Supply voltage V_{CC3P3} wrt. V_{SS}	-0.5 V to +4.1 V
Supply voltage V_{CC1P8S} wrt. V_{SSAS}	-0.5 V to +2.5 V
Supply voltage V_{CC1P8E} wrt. V_{SSE}	-0.5 V to +2.5 V
Supply voltage V_{CC1P8} wrt. V_{SS}	-0.5 V to +2.5 V
Supply voltage V_{CCVIO} wrt. V_{SS}	-0.5 V to +4.1 V
Supply voltage V_{CC1P2X} wrt. V_{SS}	-0.5 V to +1.8 V
Supply voltage V_{CC1P2} wrt. V_{SS}	-0.5 V to +1.8 V
Supply voltage $V_{CC1P2AE}$ wrt. V_{SSE}	-0.5 V to +1.8 V
Supply voltage V_{CC1P2E} wrt. V_{SSE}	-0.5 V to +1.8 V
Supply voltage $V_{CC1P2AS}$ wrt. V_{SSAS}	-0.5 V to +1.8 V
Supply voltage $V_{CC1P2DS}$ wrt. V_{SSDS}	-0.5 V to +1.8 V
Voltage on any ball wrt. V_{SS}	-0.5 V to $V_{CCP} + 0.5$ V

Notice: This data sheet contains information on products in the design phase of development. Do not finalize a design with this information. Revised information will be published when the product becomes available. The specifications are subject to change without notice. Contact your local Intel representative before finalizing a design.

†WARNING: *Stressing the device beyond the "Absolute Maximum Ratings" may cause permanent damage. These are stress ratings only. Operation beyond the "Operating Conditions" is not recommended and extended exposure beyond the "Operating Conditions" may affect device reliability.*



Table 18. Operating Conditions

Symbol	Parameter	Minimum	Maximum	Units	Notes
V_{CC3P3}	3.3 V supply voltage for PCI-X category 2 signals and general purpose I/Os	3.0	3.6	V	
V_{CC1P8S}	1.8 V supply voltage for storage interface	1.71	1.89	V	
V_{CC1P8E}	1.8 V supply voltage for PCI Express* interface	1.71	1.89	V	
V_{CC1P8}	1.8 V supply voltage for DDR2 SDRAM memory interface I/Os	1.71	1.89	V	
V_{CCVIO}	3.3 V supply voltage for PCI-X category 1 signals	3.0	3.6	V	
V_{CC1P2X}	1.2 V supply voltage for Intel XScale® processors	1.164	1.236	V	
V_{CC1P2}	1.2 V supply voltage for most digital logic	1.164	1.236	V	
V_{CC1P2E}	1.2 V supply voltage for PCI Express* interface digital logic	1.164	1.236	V	
$V_{CC1P2AE}$	1.2 V supply voltage for PCI Express* interface analog logic	1.164	1.236	V	
$V_{CC1P2AS}$	1.2 V supply voltage for storage interface analog logic	1.164	1.236	V	
$V_{CC1P2DS}$	1.2 V supply voltage for storage interface digital logic	1.164	1.236	V	
$V_{CC1P2PLLS0}$	1.2 V supply voltage for storage PLL 0	1.164	1.236	V	
$V_{CC1P2PLLS1}$	1.2 V supply voltage for storage PLL 1	1.164	1.236	V	
$V_{CC1P2PLL}$	1.2 V supply voltage for PCI-X PLL	1.164	1.236	V	
$V_{CC1P2PLLD}$	1.2 V supply voltage for DDR2 SDRAM PLL processor logic PLL	1.164	1.236	V	
$V_{CC3P3PLLX}$	3.3 V supply voltage for processor logic PLL	3.0	3.6	V	
M_VREF	Memory I/O reference voltage	$0.49V_{CC1P8}$	$0.51V_{CC1P8}$	V	
T_C	Case temperature under bias	0	100	°C	

4.1 V_{CC}PLL Pin Requirements

To reduce clock jitter, the **V_{CC1P2PLLD}**, **V_{CC1P2PLLP}**, and **V_{CC3P3PLLX}**, **V_{CC1P2PLLS0}** and **V_{CC1P2PLLS1}** balls for the phase-lock loop (PLL) circuits are isolated on the package. The low-pass filters, as shown in the following figures, reduce noise-induced clock jitter and its effects on timing relationships in system design.

This paragraph pertains to the **V_{CC1P2PLLD}**, **V_{CC1P2PLLP}**, **V_{CC3P3PLLX}** filters. The filter components must be able to handle a DC current of 30 mA. Use a shielded type inductor to minimize magnetic pickup. The total series resistance from the board VCC plane (before the filter) to the VCCPLL ball must be less than 1.5 ohm (including component and trace resistance). The total series resistance from the board VCC plane (before the filter) to the top plate of the capacitor must be greater than 0.35 ohm (including component and trace resistance). The nodes connecting VCCPLL and VSSPLL to the capacitor must be as short as possible (less than 0.1 W). VCCPLL and VSSPLL must be routed close to each other to minimize loop area. The VSSPLL balls must be connected to the filter only and not to any other ground, as shown in [Figure 7](#) and [Figure 9](#). The inductor and capacitor must be placed close to each other. Any discrete resistor must be placed between the VCC board plane and the inductor. If the trace and component resistance is high enough, a discrete resistor might not be required.

This paragraph pertains to the **V_{CC1P2PLLS0}**, **V_{CC1P2PLLS1}** filters. The recommended filter for the PLL supplies is shown in [Figure 8](#). The purpose of this filter is to achieve at least 10 dB rejection of frequencies between 1 and 20 MHz. The current draw for the IC is less than 85 mA. The board's supply distribution system must ensure that the minimum voltage into the filter is equal to or greater than 1.14 V. The filter components are selected to achieve a corner frequency of 100 KHz. The series resistance keeps the Q of this resonant circuit safely below unity for all component variations.

The bypass capacitor must be placed as close to the supply pins as possible. The series impedances to both the supply pin and the PCB analog ground plane must be an order of magnitude lower than the ESR and ESL specified for the capacitor. The S0/S1 PLLs have dedicated internal supplies, so the VSSPLLS0/S1 pins must be soldered directly to the analog ground plane of the PCB.

Figure 7. V_{CC3P3PLLX} Low-Pass Filter

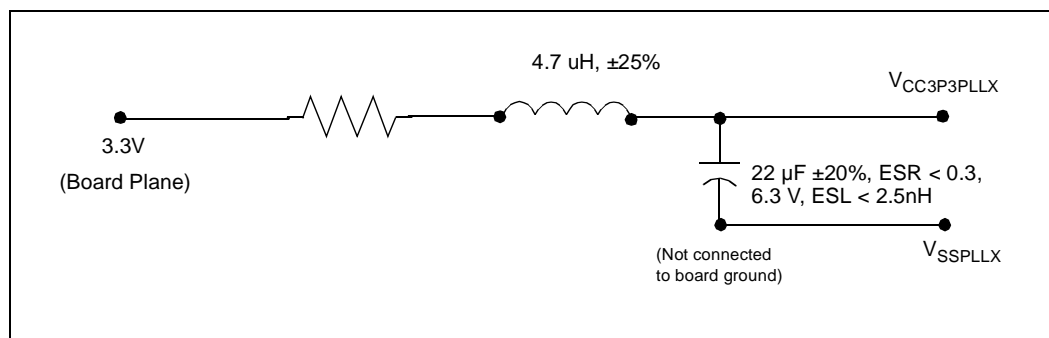




Figure 8. $V_{CC1P2PLLS0}$, $V_{CC1P2PLLS1}$ Low-Pass Filter

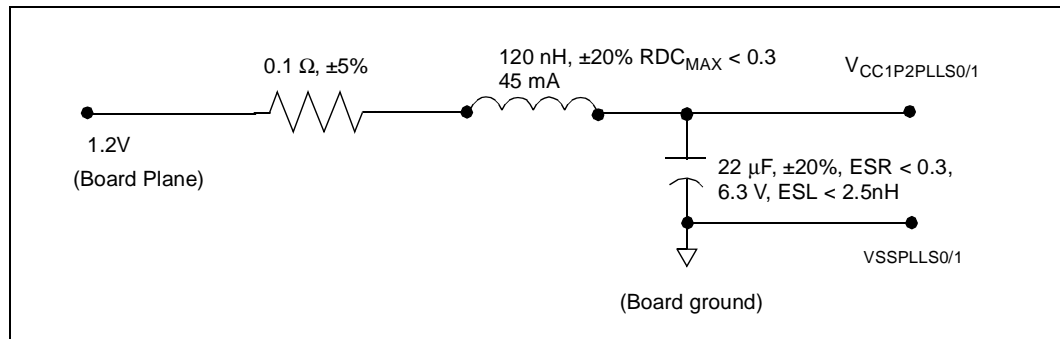
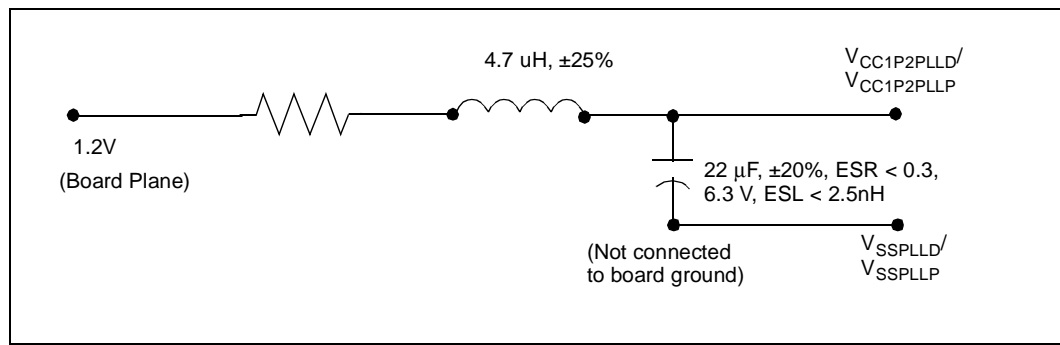


Figure 9. $V_{CC1P2PLLD}$, $V_{CC1P2PLL}$ Low-Pass Filter





4.2 Targeted DC Specifications

Table 19. DC Characteristics

Symbol	Parameter	Minimum	Maximum	Units	Notes
V _{IL1}	Input Low Voltage (General Purpose).	-0.3	0.3V _{CC3P3}	V	2
V _{IH1}	Input High Voltage (General Purpose).	2.0	V _{CC3P3} + 0.3	V	2
V _{IL2}	Input Low Voltage (PCI).	-0.5	0.3V _{CC3P3}	V	
V _{IL3}	Input Low Voltage (PCI-X).	-0.5	0.35V _{CC3P3}	V	
V _{IH3}	Input High Voltage (PCI-X/PCI).	0.5V _{CC3P3}	V _{CC3P3} + 0.5	V	
V _{IL4}	Input Low Voltage (DDR2 SDRAM).	-0.3	M_VREF - 0.125	V	
V _{IH4}	Input High Voltage (DDR2 SDRAM).	M_VREF + 0.125	V _{CC1P8} + 0.3	V	
V _{OL1}	Output Low Voltage (General Purpose).	-	0.4	V	I _{OL} = 10 mA 2
V _{OH1}	Output High Voltage (General Purpose).	2.6	-	V	I _{OH} = -10 mA 2
V _{OL2}	Output Low Voltage (PCI-X).	-	0.1V _{CC3P3}	V	I _{OL} = 1.50 mA
V _{OH2}	Output High Voltage (PCI-X).	0.9V _{CC3P3}	-	V	I _{OH} = -0.50 mA
V _{OL3}	Output Low Voltage (DDR2 SDRAM driver set to 21Ω).		0.28	V	I _{OL} = 11 mA
V _{OH3}	Output High Voltage (DDR2 SDRAM driver set to 21Ω).	1.42		V	I _{OH} = -11 mA
V _{OL4}	Output Low Voltage (DDR2 SDRAM driver set to 50Ω).		0.28	V	I _{OL} = 5 mA
V _{OH4}	Output High Voltage (DDR2 SDRAM driver set to 50Ω).	1.42		V	I _{OH} = -5 mA
I _{LI1}	Input Leakage Current for General Purpose pins when internal pull up resistors are not enabled.		±5	μA	0 ≤ V _{IN} ≤ V _{CC3P3} 3
I _{LI2}	Input Leakage Current for PCI-X pins when internal pull up resistors are not enabled.		±10	μA	0 ≤ V _{IN} ≤ V _{CC3P3} (Cat. 2) 0 ≤ V _{IN} ≤ V _{CCVIO} (Cat. 1) 3
I _{LI3}	Input Leakage Current for DDR2 pins when internal pull up resistors are not enabled.		±2	μA	0 ≤ V _{IN} ≤ V _{CC1P8} 3
R _{GP}	Internal pull up resistor value for General Purpose pins.	28.5	38.7	KΩ	1
R _{PCIX}	Internal pull up resistor value for PCI-X pins.	5.9	8.1	KΩ	1
C _{GP}	General Purpose pin Capacitance.	1	4.5	pF	1
C _{PCIX}	PCI-X pin Capacitance.	1	4.5	pF	1
C _{DDR2}	DDR2 pin Capacitance.	1	4.5	pF	1
L _{PIN}	Ball Inductance.	1	12	nH	1

Notes:

1. Not tested, guaranteed by design.
2. General Purpose signals include all signals that are not part of the DDR2, PCI-X and PCI-Express interfaces or the Storage Tx/Rx pairs and analog pins.
3. Input leakage currents include hi-Z output leakage for all bi-directional buffers with tri-state outputs.

**Table 20. I_{CC} Characteristics**

Symbol	Parameter	Typ	Max	Units	Notes
Icc12 Active (Power Supply)	Power Supply Current: Storage PHY, PCI Express, Intel XScale® microarchitecture: <ul style="list-style-type: none"> • 800MHz • 1200MHz 		7.83 8.39	A	1, 2, 4
Icc18 Active (Power Supply)	Power Supply Current: Storage PHY I/Os, PCI Express I/Os, DDR-II (533)		1.71	A	1, 2, 4
Icc33 Active (Power Supply)	Power Supply Current: PCI, PBI, GPIO, PCI-X I/Os		0.69	A	1, 2
Icc12 Active (Thermal)	Thermal Current: Storage PHY, PCI Express, Intel XScale® microarchitecture: <ul style="list-style-type: none"> • 800MHz • 1200MHz 	5.55 6.81		A	1, 3, 4
Icc18 Active (Thermal)	Thermal Current: Storage PHY I/Os, PCI Express I/Os, DDR-II (533)	1.40		A	1, 3, 4
Icc33 Active (Thermal)	Thermal Current: PCI, PBI, GPIO, PCI-X I/Os	0.60		A	1, 3

Notes:

1. Measured with the device operating and outputs loaded to the test condition in [Figure 17, “AC Test Load for all Signals Except PCI, PCI-Express and DDR2 and Storage PHY” on page 82](#).
2. Icc Active (Power Supply) value is provided for selecting the system power supply. This is based on the worst case data patterns and skew material at the following worst case voltages: Vcc33 = 3.63 V, Vcc18 = 1.89 V, Vcc12 = 1.24 V and ambient temperature = 55C.
3. Icc Active (Thermal) value is provided for selecting the system thermal design power (TDP). This is based on the following typical voltages: Vcc33 = 3.3 V, Vcc18 = 1.8V, Vcc12 = 1.2 V and ambient temperature = 55C.
4. The Customer Reference Boards use a 1.2 V switching regulator for all the 1.2 V supplies (Vcc1p2, Vcc1p2x, Vcc1p2e, Vcc1p2ds, Vcc1p2ae, Vcc1p2as) and a 1.8 V switching regulator for all 1.8 V supplies: (Vcc1p8, Vcc1p8e, Vcc1p8s).



4.3 Targeted AC Specifications

4.3.1 Clock Signal Timings

Table 21. PCI Clock Timings

Symbol	Parameter	PCI-X 133		PCI-X 100		PCI-X 66		PCI 66		PCI 33		Units	Notes
		Min.	Max	Min.	Max	Min.	Max	Min.	Max	Min.	Max		
T _{C1}	PCI Clock Cycle Time Jitter Class 1	7.5	11	10	15	15	22	15	25	30	50	ns	1
T _{C2}	PCI Clock Cycle Time Jitter Class 2	7.375	11	9.875	15	14.8	22	14.8	25	29.7	50		1
T _{CH1}	PCI clock High Time	2.5		3		5.5		5.5		10		ns	
T _{CL1}	PCI clock Low Time	2.5		3		5.5		5.5		10		ns	
	PCI clock Period Jitter	125	-125	125	-125	200	-200	200	-200	300	-300	ps	3
TSR1	PCI clock Slew Rate	1.5	4	1.5	4	1.5	4	1.5	4	1	4	V/ns	2
PCI Spread Spectrum Requirements													
f _{mod}	PCI clock modulation frequency	30	33	30	33	30	33	30	33			KHz	
f _{spread}	PCI clock frequency spread	-1	0	-1	0	-1	0	-1	0			%	
PCI Output Clocks													
	PCI output clock skew		250		350		350		350		350	ps	
	PCI output clock period jitter	100	-100	150	-150	150	-150	150	-150	150	-150	ps	4, 5

Notes:

1. The clock frequency may not change beyond the spread-spectrum limits except while **P_RST#** or **WARM_RST#** is asserted.
2. This slew rate must be met across the minimum peak-to-peak portion of the clock waveform.
3. Period jitter is the deviation between any single period of the clock and the average period of the clock.
4. If a jitter class 2 input clock is used, output clocks can not support jitter class 1.
5. The deviation between any single period of the clock and the average period of the clock.



Table 22. PCI Express Clock Timings

Symbol	Parameter	Min.	Nom.	Max.	Units	Notes
TF2	PCI Express* Clock Frequency		100		MHz	4
TC2	PCI Express* Clock Cycle Time	9.872			ns	
DF0	Frequency Variation	-300		300	ppm	
TCCJ	Cycle to Cycle Jitter			125	ps	
TPPJ	Peak to Peak Jitter (5-50 MHz)			50	ps	
Dc	Clock Duty Cycle	45		55	%	
Trise	REFCLK Rise Time	175		350	ps	1, 2, 6
Tfall	REFCLK Fall Time	175		350	ps	1, 2, 6
Tvrise	REFCLK Rise Time Variation			125	ps	
Tvfall	REFCLK Fall Time Variation			125	ps	
	Rise-Fall Matching			20	%	
Vca	Absolute Cross Point	0.25		0.55	V	1, 3, 7, 13
Vcr	Relative Cross Point	Calc		Calc		5, 12
Tvc	Total Variation of Vc over all edges			0.14	V	13
	Rising Edge Ringback	0.56			V	Absolute Min.
	Falling Edge Ringback			0.25	V	Absolute Max.
Vhi	High Level Voltage	0.66	0.71	0.85	V	7, 8
Vli	Low Level Voltage	-0.15	0	0.15	V	7, 9
Vrb	Ringback Voltage			0.10	V	7
Vovs	Maximum Overshoot			Vhi+0.3	V	7, 10
Vuds	Minimum Undershoot			-0.30	V	7, 11

Notes:

1. Measured at crossing point where the instantaneous voltage value of the rising edge of REFCLK equals the falling edge of REFCLK#.
2. Measured from $V_{OL} = 0.175$ V to $V_{OH} = 0.525$ V. Valid only for rising REFCLK and falling REFCLK#. Signal must be monotonic through the V_{OL} to V_{OH} region for T_{RISE} and T_{FALL} .
3. This measurement refers to the total variation from the lowest crossing point to the highest, regardless of which edge is crossing.
4. The average period over any 1 μ s period of time must be greater than the minimum specified period.
5. $V_{CROSS}(rel)$ Min and Max are derived using the following:
 $V_{CROSS}(rel) \text{ Min} = 0.5 (V_{havg} - 0.710) + 0.250$
 $V_{CROSS}(rel) \text{ Max} = 0.5 (V_{havg} - 0.710) + 0.550$
6. Measurement taken from single-ended waveform.
7. Measurement taken from differential waveform.
8. V_{HIGH} is defined as the statistical average High value as obtained by using the Oscilloscope V_{HIGH} Math function.
9. V_{LOW} is defined as the statistical average Low value as obtained by using the Oscilloscope V_{LOW} Math function.
10. Overshoot is defined as the absolute value of the maximum voltage.
11. Undershoot is defined as the absolute value of the minimum voltage.
12. The crossing point must meet the absolute and relative crossing point specifications simultaneously.
13. ΔV_{CROSS} is defined as the total variation of all crossing voltages of Rising REFCLK and Falling REFCLK#. This is the maximum allowed variance in V_{CROSS} for any particular system.
14. Refer to Section 4.3.2.1 in the *PCI Express Base Specification* for information regarding PPM considerations.



Table 23. DDR2 Output Clock Timings

Symbol	Parameter	DDR2-400		DDR2-533		Units	Notes
		Min.	Max	Min.	Max		
T _{CC2}	DDR2 SDRAM clock Cycle Time Average	5.00		3.75		ns	
T _{CH2}	DDR2 SDRAM clock High Time	2.25		1.69		ns	
T _{CL2}	DDR2 SDRAM clock LowTime	2.25		1.69		ns	
T _{CS2}	DDR2 SDRAM clock Period Jitter	100	-100	100	-100	ps	
T _{skew2}	DDR2 SDRAM clock skew for any differential clock pair to any other clock pair		250		250	ps	
T _{skew3}	DDR2 SDRAM clock skew for any clock pair to any system memory strobe		250		250	ps	
Notes: 1. Not tested							



4.3.2 DDR2 SDRAM Interface Signal Timings

Table 24. DDR2 SDRAM Signal Timings

Symbol	Parameter	Min.	Max	Units	Notes
Tvb1	DQ, CB and DM write output valid time before DQS	0.530		ns	1, 3
Tva1	DQ, CB and DM write output valid time after DQS	0.530		ns	1, 3
Tvb2	DQS write output valid time before M_CLK (DQS early)		0.200	ns	1, 3
Tva2	DQS write output valid time after M_CLK (DQS late)		0.530	ns	1, 3
Tvb3	MA, BA, RAS#, CAS#, WE# write output valid before M_CLK rising edge.	4.900		ns	1, 3
Tva3	MA, BA, RAS#, CAS#, WE# write output valid after M_CLK rising edge.	1.530		ns	1, 3
Tvb4	CS#, CKE, ODT write output valid before M_CLK rising edge. Unbuffered mode	2.090		ns	1, 3
Tva4	CS#, CKE, ODT write output valid after M_CLK rising edge. Unbuffered mode	0.590		ns	1, 3
Tvb5	CS#, CKE, ODT write output valid before M_CLK rising edge. Registered mode	1.150		ns	1, 3
Tva5	CS#, CKE, ODT write output valid after M_CLK rising edge. Registered mode	1.530		ns	1, 3
Tis6	DQ, CB read input setup time before DQS rising or falling edges.	-0.670		ns	2
Tih6	DQ, CB read input hold time after DQS rising or falling edges.	1.250		ns	2
Tov7	M_CLK[2:0] output valid from P_CLKIN or REFCLK	0.460	1.930	ns	

Notes:

1. See [Figure 14, "DDR2 SDRAM Write Timings"](#) on page 81.
2. See [Figure 16, "DDR2 SDRAM Read Timings"](#) on page 82. Timings valid when the DQS delay is programmed for the default 90 degree phase shift.
3. See [Figure 18, "AC Test Load for DDR2 SDRAM Signals"](#) on page 82.



4.3.3 Peripheral Bus Interface Signal Timings

Table 25. Peripheral Bus Interface Signal Timings

Symbol	Parameter	Min.	Nom.	Max.	Units
A2D	Address to Data wait-states	4	-	20	clks
D2D	Data to Data wait-states	4	-	20	clks
REC	Recovery wait-states	1	-	20	clks
N	Number of Data phases	1	-	4	phases
Tasc	Address setup to CE#	25	30	-	ns
Taso	Address setup to OE#	10	15	-	ns
Tasw	Address setup to WE#	25	30	-	ns
Tah	Address hold from CE#,OE#	Nom - 5	REC × 15	-	ns
Tahw	Address hold from WE#	Nom - 5	(REC+1) × 15	-	ns
Twce	CE# pulse width	Nom - 5	$(A2D + 2 + ((N - 1)(D2D + 2))) \times 15$	-	ns
Twoe	OE# pulse width	Nom - 5	$(A2D + 3 + ((N - 1)(D2D + 2))) \times 15$	-	ns
Twwe	WE# pulse width	Nom - 5	$(A2D + 1) \times 15$	-	ns
Tdsw	Write Data setup to WE#	Nom - 5	$(A2D + 1) \times 15$	-	ns
Tdhw	Write Data hold from WE#	10	15	20	ns
Tad1	1st Read Data access time from Address	-	$(A2D + 4) \times 15$	Nom - 11	ns
TadN	Nth Read Data access time from Address	-	$(D2D + 2) \times 15$	Nom - 11	ns
Tcd	Read Data access time from CE#	-	$(A2D + 2) \times 15$	Nom - 11	ns
Toe	Read Data access time from OE#	0	$(A2D + 3) \times 15$	Nom - 11	ns
Tdh	Read Data hold time from Address, CE#, OE#	0	$(REC + 2) \times 15$	Nom - 5	ns

Notes:

1. See Figure 25, "PBI Output Timings" on page 85 and Figure 26, "PBI External Device Timings (Flash)" on page 86.



4.3.4 I²C/SMBus Interface Signal Timings

Table 26. I²C/SMBus Signal Timings

Symbol	Parameter	Std. Mode		Fast Mode		Units	Notes
		Min.	Max	Min.	Max		
fSCL	SCL Clock Frequency	0	100	0	400	KHz	
T _{BUF}	Bus Free Time Between STOP and START Condition	4.7		1.3		μs	(1)
T _{HDSTA}	Hold Time (repeated) START Condition	4		0.6		μs	(1,3)
T _{LOW}	SCL Clock Low Time	4.7		1.3		μs	(1,2)
T _{HIGH}	SCL Clock High Time	4		0.6		μs	(1,2)
T _{SUSTA}	Setup Time for a Repeated START Condition	4.7		0.6		μs	(1)
T _{HDDAT}	Data Hold Time	0	3.45	0	0.9	μs	(1)
T _{SUDAT}	Data Setup Time	250		100		ns	(1)
T _{SR}	SCL and SDA Rise Time		1000	20 + 0.1C _b	300	ns	(1,4)
T _{SF}	SCL and SDA Fall Time		300	20 + 0.1C _b	300	ns	(1,4)
T _{SUSTO}	Setup Time for STOP Condition	4		0.6		μs	(1)

Notes:

1. See Figure 13, "I²C Interface Signal Timings" on page 80.
2. Not tested.
3. After this period, the first clock pulse is generated.
4. C_b = the total capacitance of one bus line, in pF.
5. Std Mode I²C signal timings apply for SMBus timing.



4.3.5 PCI Bus Interface Signal Timings

Table 27. PCI Signal Timings

Symbol	Parameter	PCI-X 133 PCI-X 100		PCI-X 66		PCI 66		PCI 33		Units	Notes
		Min.	Max	Min.	Max	Min.	Max	Min.	Max		
T _{OV1}	Clock to Output Valid Delay	0.7	3.7	0.7	3.7	1	6	2	11	ns	1, 3
T _{OF}	Clock to Output Float Delay		7		7		14		28	ns	1, 4
T _{IS1}	Input Setup to clock	1.2		1.7		3		7		ns	2
T _{IH1}	Input Hold time from clock	0.5		0.5		0		0		ns	2
T _{RST}	Reset Active Time	1		1		1		1		ms	
T _{RF}	Reset Active to output float delay		40		40		40		40	ns	
T _{IS3}	REQ64# to Reset setup time	10		10		10		10		clocks	
T _{IH2}	Reset to REQ64# hold time	0	50	0	50	0	50	0	50	ns	
T _{IS4}	PCI-X initialization pattern to Reset setup time	10		10						clocks	
T _{IH3}	Reset to PCI-X initialization pattern hold time	0	50	0	50					ns	

Notes:

1. See the timing measurement conditions in; [Figure 11, "Output Timing Measurement Waveforms" on page 79.](#)
2. See the timing measurement conditions in; [Figure 12, "Input Timing Measurement Waveforms" on page 80.](#)
3. See [Figure 19, "PCI/PCI-X TOV\(max\) Rising Edge AC Test Load" on page 83,](#) [Figure 20, "PCI/PCI-X TOV\(max\) Falling Edge AC Test Load" on page 83,](#) [Figure 21, "PCI/PCI-X TOV\(min\) AC Test Load" on page 83.](#)
4. For purposes of Active/Float timing measurements, the Hi-Z or "off" state is defined to be when the total current delivered through the component pin is less than or equal to the leakage current specification.



4.3.6 PCI Express Differential Transmitter (Tx) Output Specifications

Table 28. PCI Express* Rx Input Specifications

Symbol	Parameter	Min.	Nom	Max	Units	Notes
$V_{DIFFp-p}$	Differential input voltage	0.175		1.200	V	1
J_{TOTAL}	Total output jitter			0.65	UI	2
V_{CM-AC}	AC common mode			100	mV	3
T_{Reye}	Receiver eye opening	0.35			UI	4
$RL-Diff_{RX}$	Differential return loss	12			dB	5
$RL-CM_{TX}$	Common mode return loss	6			dB	5
$Z_{RX-OUT-DC}$	DC differential output impedance	90	100	110	Ohm	6
$Z_{RX-Match-DC}$	D+/D- impedance matching	-5		+5	%	7
$V_{RX-SQUELCH}$	Squelch detect threshold	75		175	mV	8
$C_{in_{RX}}$	AC coupled	75			nf	9
$L_{SKEW-RX}$	Lane to lane skew at Rx			20	UI	10

Notes:

1. Peak-Peak differential voltage. $V_{DIFFp-p} = 2 \times V_{RMAX}$. Measured at the package pins of the receiver. See [Figure 12](#).
2. Max Jitter tolerated by Rx. This is the nominal value tolerated at the package pin of the receiver device. A receiver must therefore tolerate any additional jitter generated by the package to the die.
3. Peak common mode value. $|V_{D+} + V_{D-}|/2 - V_{CM-DC(avg)}$
4. See [Figure 24, "Receiver Eye Opening \(Differential\)"](#) on page 84.
5. 50 MHz to 1.6 GHz. The driver output impedance shall result in a differential return loss greater than or equal to 15 dB and a common mode return loss greater than or equal to 6 dB over a frequency range of 50 MHz to 1.8 GHz. This output impedance requirement applies to all valid output levels. The reference impedance for return loss measurements is 100 Ω for differential return loss and 25 Ω for common mode (i.e. as measured by a Vector Network Analyzer with 100 Ω differential probes). Note this is based on a nominal PCI Express* interconnect differential characteristic impedance of 100 Ω . Applicable during active (L0) and Align states only.
6. DC Differential Mode Impedance 100 $\Omega \pm 10\%$ tolerance.
7. DC impedance matching between two lanes of a port.
8. Peak-to-Peak value. Measured at the pin of the receiver. Differential signal below this level will indicate a squelch condition.
9. All receivers shall be AC coupled to the media.
10. Lane skew at the Receiver that must be tolerated.



Table 29. PCI Express* Tx Output Specifications

Symbol	Parameter	Min.	Nom	Max	Units	Notes
UI	Unit Interval		400		ps	1
V _{DIFFP-P}	Differential output voltage	0.800		1.200	V	2
T _{riser} , T _{fall}	Driver Rise/Fall Time	0.2		0.4	UI	3
V _{TX-CM-AC}	AC Common Mode			20	mV	4
V _{TX-CM-DC} delta	Common Mode Active to Sleep mode delta	-50		+50	mV	
RL-Diff _{TX}	Differential Return Loss	15			dB	5
RL-CM _{TX}	Common Mode Return Loss	6			dB	5
Z _{TX-OUT-DC}	DC Differential Output Impedance	90	100	110	Ω	6
Z _{TX-Match-DC}	D+/D- impedance matching	-5		+5	%	7
L _{SKREW-TX}	Lane to Lane Skew at Tx			500	ps	8
J _{TOTAL}	Total Output Jitter.			0.35	UI	9
T _{Deye}	Minimum Transmitter eye opening.	0.65			UI	10
I _{TX-SHORT}	Short circuit Current	-100		100	mA	11
V _{TX-IDLE}	Sleep mode Voltage Output	0	0	20	mV	12

Notes:

- ±300 ppm. UI does not account for SSC dictated variations. No test load is necessarily associated with this value. This UI specification is a “before transmission” specification and represents the nominal time of each bit transmission or width.
- Peak-Peak differential voltage. $V_{DIFFP-P} = 2 \times V_{D_{MAX}}$. Specified at the package pins into a 100 Ω test load as shown in Figure 22, “Transmitter Test Load (100 W diff Load)” on page 83. Max level set by maximum single ended voltage after a reflection from an open. This value is for the first bit after a transition on the data lines. Subsequent bits of the same polarity shall have an amplitude of 6 dB (±0.5 db) less as measured differentially peak to peak than the specified value.
- 20–80% at transmitter. Slower rise/fall times are better.
- Peak common mode value. $|V_{D+} + V_{D-}|/2 - V_{CM-DC(avg)}$
- 50 MHz to 1.6 GHz. The driver output impedance shall result in a differential return loss greater than or equal to 15 dB and a common mode return loss greater than or equal to 6 dB over a frequency range of 50 MHz to 1.8 GHz. This output impedance requirement applies to all valid output levels. The reference impedance for return loss measurements is 100 Ω for differential return loss and 25 Ω for common mode (i.e. as measured by a Vector Network Analyzer with 100 Ω differential probes). Note this is based on a nominal PCI Express* interconnect differential characteristic impedance of 100 Ω. Applicable during active (L0) and Align states only.
- DC Differential Mode Impedance 100 Ω ±10% tolerance. All devices shall employ on-chip adaptive impedance matching circuits to ensure the best possible termination/Zout for its Transmitters (as well as receivers).
- DC impedance matching between two lanes of a port.
- Between any two lanes within a single transmitter.
- Clock source PPM mismatch is in addition to this value. Measured over 250 UI.
- See Figure 23, “Transmitter Eye Diagram” on page 84.
- Between any voltage from max supply to gnd with power on or off.
- Squelch condition. Both signals brought to $V_{CM-DC-|VD+ - VD-|}$



4.3.7 PCI Express* Differential Receiver (Rx) Input Specifications

Table 30. PCI Express* Rx Input Specifications

Symbol	Parameter	Min.	Nom	Max	Units	Notes
V _{DIFFp-p}	Differential input voltage	0.175		1.200	V	1
J _{TOTAL}	Total Output Jitter.			0.65	UI	2
V _{CM-AC}	AC Common Mode			100	mV	3
T _{Reye}	Receiver eye opening.	0.35			UI	4
RL-Diff _{RX}	Differential Return Loss	15			dB	5
RL-CM _{TX}	Common Mode Return Loss	6			dB	5
Z _{RX-OUT-DC}	DC Differential Output Impedance	90	100	110	Ω	6
Z _{RX-Match-DC}	D+/D- impedance matching	0-5		+5	%	7
V _{RX-SQUELCH}	Squelch detect threshold	75		175	mV	8
C _{inRX}	AC coupled	400			pf	9
L _{SKEW-RX}	Lane to Lane Skew at Rx			20	UI	10

Notes:

1. Peak-Peak differential voltage. $V_{DIFFp-p} = 2 * V_{RMAX}$. Measured at the package pins of the receiver. See [Figure 12](#).
2. Max Jitter tolerated by Rx. This is the nominal value tolerated at the package pin of the receiver device. A receiver must therefore tolerate any additional jitter generated by the package to the die.
3. Peak common mode value. $|V_{D+} + V_{D-}|/2 - V_{CM-DC(avg)}$
4. See [Figure 24, "Receiver Eye Opening \(Differential\)"](#) on page 84.
5. 50 MHz to 1.6 GHz. The driver output impedance shall result in a differential return loss greater than or equal to 15 dB and a common mode return loss greater than or equal to 6 dB over a frequency range of 50 MHz to 1.8 GHz. This output impedance requirement applies to all valid output levels. The reference impedance for return loss measurements is 100 Ω for differential return loss and 25 Ω for common mode (i.e. as measured by a Vector Network Analyzer with 100 Ω differential probes). Note this is based on a nominal PCI Express* interconnect differential characteristic impedance of 100 Ω. Applicable during active (L0) and Align states only.
6. DC Differential Mode Impedance 100 Ω ±10% tolerance.
7. DC impedance matching between two lanes of a port.
8. Peak to Peak value. Measured at the pin of the receiver. Differential signal below this level will indicate a squelch condition.
9. All receivers shall be AC coupled to the media.
10. Lane skew at the Receiver that must be tolerated.



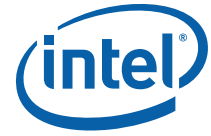
4.3.8 Boundary Scan Test Signal Timings

Table 31. Boundary Scan Test Signal Timings

Symbol	Parameter	Min.	Max	Units	Notes
T _{JTF}	TCK Frequency	0	66	MHz	
T _{JTCH}	TCK High Time	7.0		ns	Measured at 1.5 V (1)
T _{JTCL}	TCK Low Time	7.0		ns	Measured at 1.5 V (1)
T _{JTCR}	TCK Rise Time		5	ns	0.8 V to 2.0 V (1)
T _{JTCF}	TCK Fall Time		5	ns	2.0 V to 0.8 V (1)
T _{JTIS1}	Input Setup to TCK—TDI, TMS	3.0		ns	(3)
T _{JTIH1}	Input Hold from TCK—TDI, TMS	2.0		ns	(3)
T _{JTOV1}	TDO Output Valid Delay	4.25	13.25	ns	Relative to falling edge of TCK (2)
T _{OF1}	TDO Float Delay	4.25	13.25	ns	Relative to falling edge of TCK (4)

Notes:

1. Not tested.
2. See Figure 11, "Output Timing Measurement Waveforms" on page 79.
3. See Figure 12, "Input Timing Measurement Waveforms" on page 80.
4. A float condition occurs when the output current becomes less than I_{LO}. Float delay is not tested. See Figure 11, "Output Timing Measurement Waveforms" on page 79.



4.4 AC Timing Waveforms

Figure 10. Clock Timing Measurement Waveforms

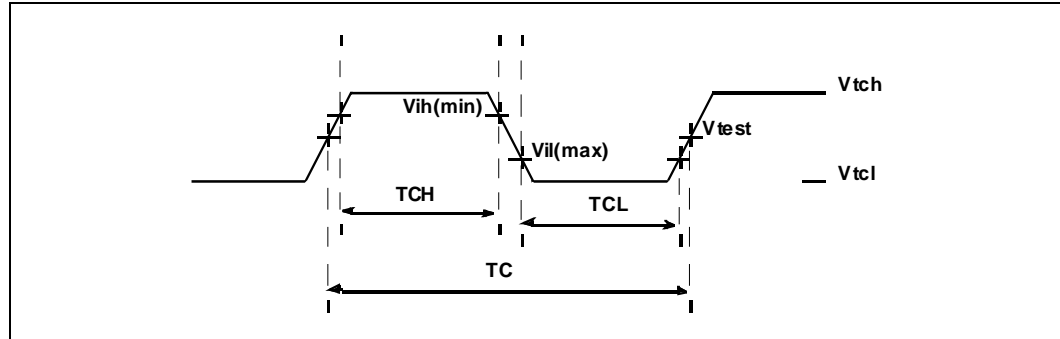


Figure 11. Output Timing Measurement Waveforms

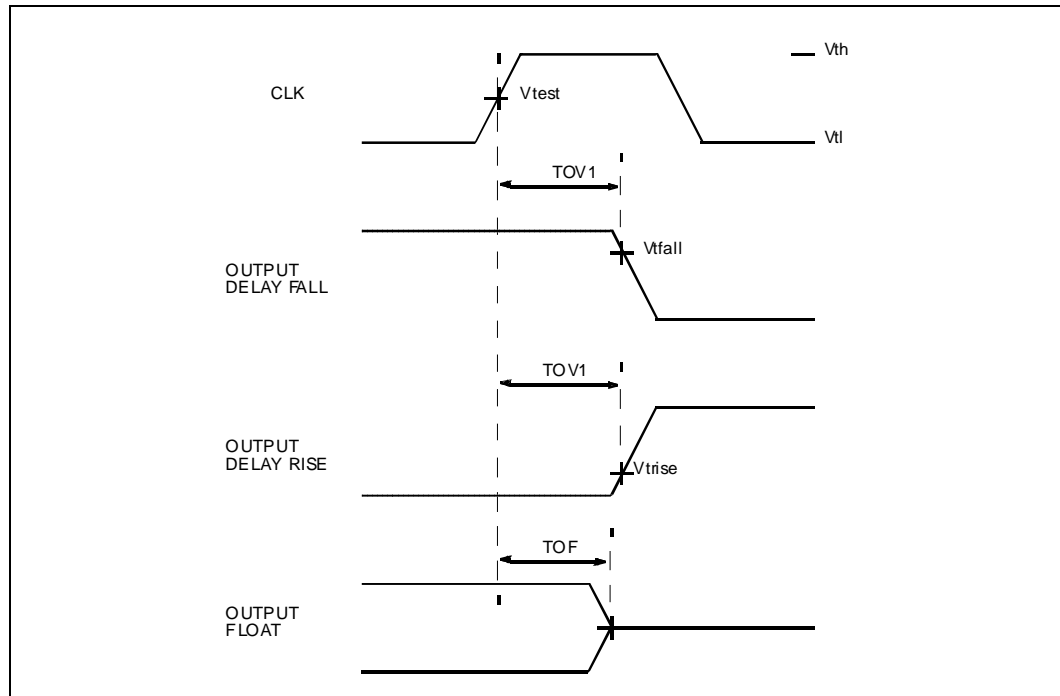




Figure 14. DDR2 SDRAM Write Timings

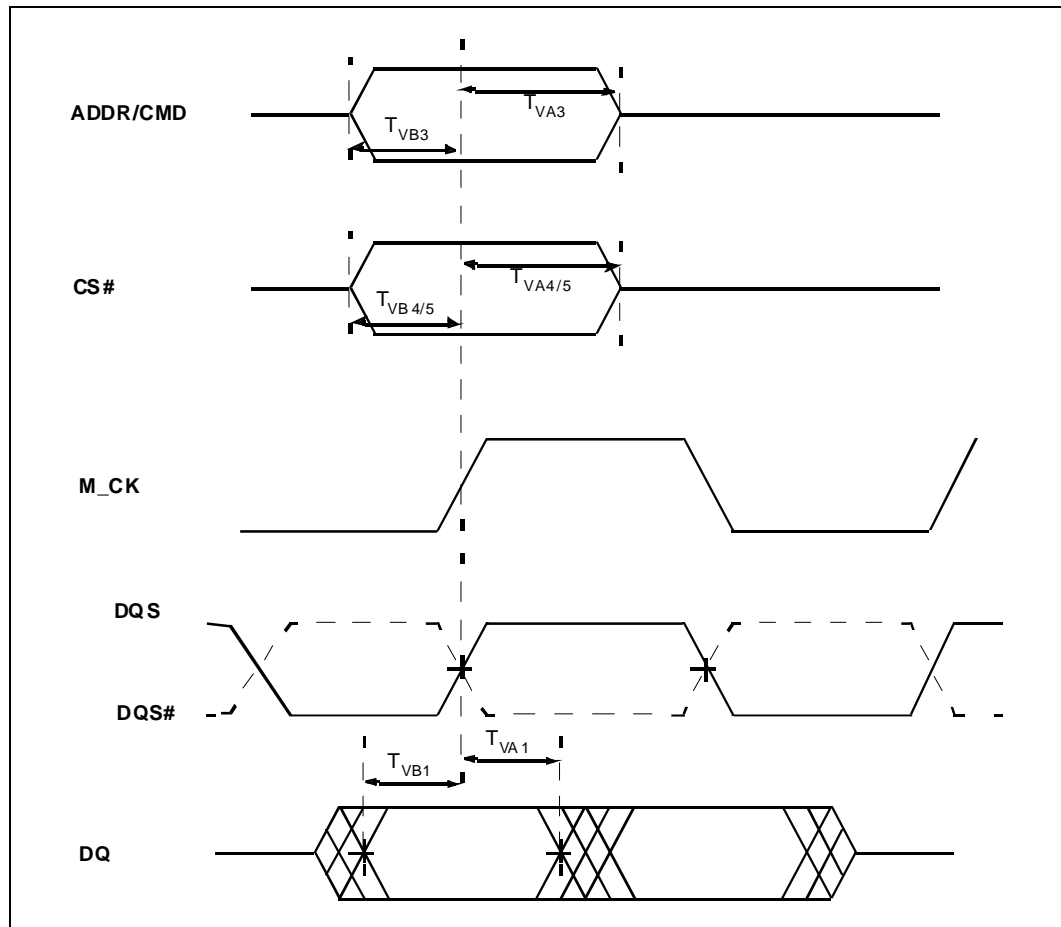


Figure 15. DQS Falling Edge Output Access Time to/from M_CK Rising Edge

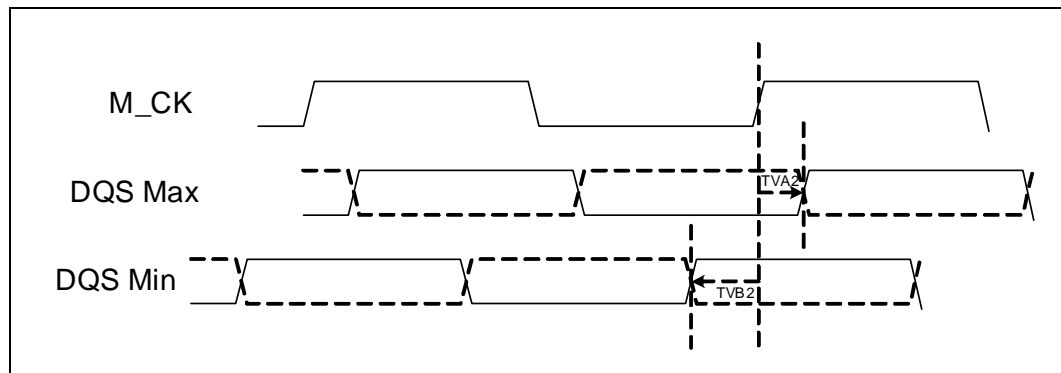


Figure 16. DDR2 SDRAM Read Timings

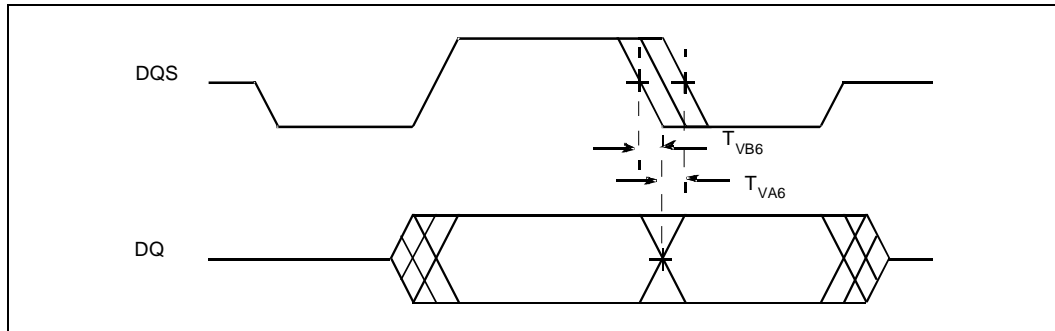


Table 32. AC Measurement Conditions

Symbol	PCI-X	PCI	DDR2	PBI	Units	Notes
V_{th}	$0.6V_{CC3P3}$	$0.6V_{CC3P3}$	$M_VREF+0.250$	2.0	V	
V_{tl}	$0.25V_{CC3P3}$	$0.2V_{CC3P3}$	$M_VREF-0.250$	0.8	V	
V_{test}	$0.4V_{CC3P3}$	$0.4V_{CC3P3}$	$0.5V_{CC1P8}$	1.5	V	
V_{trise}	$0.285V_{CC3P3}$	$0.285V_{CC3P3}$	$0.5V_{CC1P8}$	1.5	V	
V_{tfall}	$0.615V_{CC3P3}$	$0.615V_{CC3P3}$	$0.5V_{CC1P8}$	1.5	V	
V_{max}	$0.35V_{CC3P3}$	$0.4V_{CC3P3}$	1.0	1.2	V	
Slew Rate	1.5	1.5	1.0	1.0	V/nS	1

Notes:

1. Input signal slew rate is measured between V_{il} and V_{ih}

Figure 17. AC Test Load for all Signals Except PCI, PCI-Express and DDR2 and Storage PHY

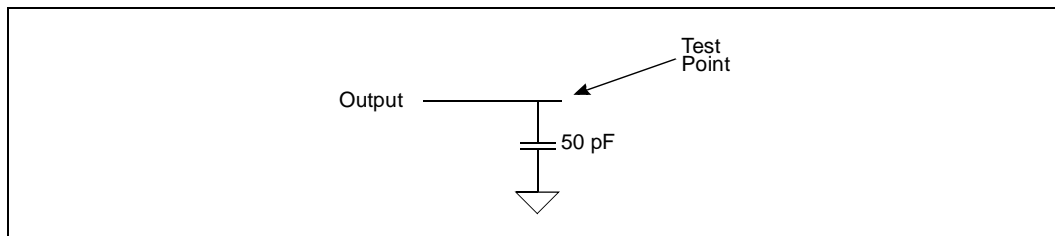


Figure 18. AC Test Load for DDR2 SDRAM Signals

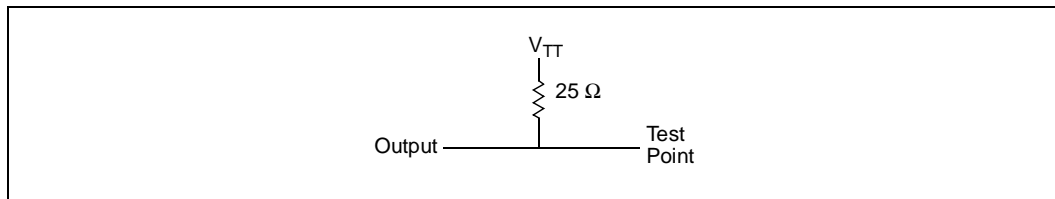




Figure 19. PCI/PCI-X $T_{OV(max)}$ Rising Edge AC Test Load

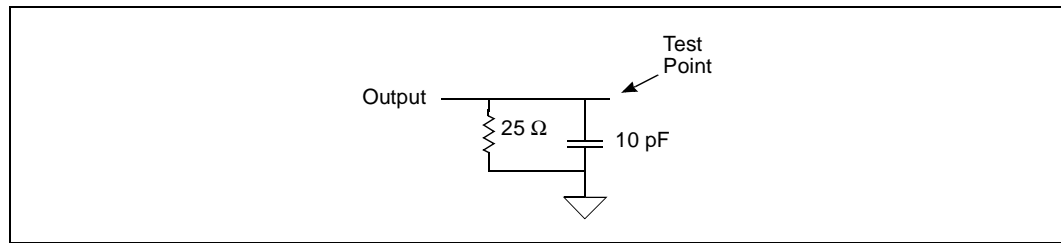


Figure 20. PCI/PCI-X $T_{OV(max)}$ Falling Edge AC Test Load

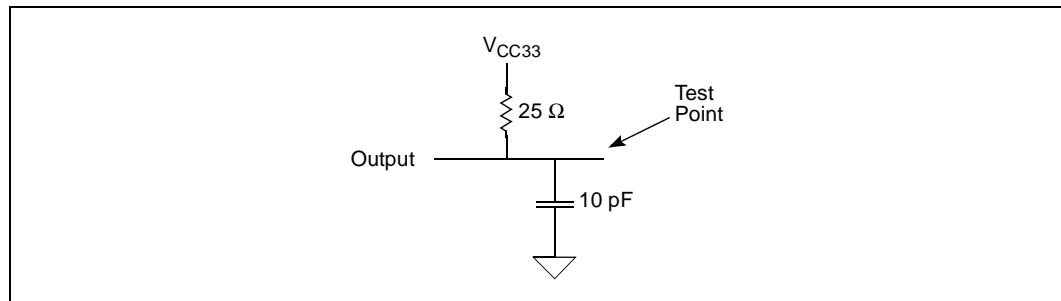


Figure 21. PCI/PCI-X $T_{OV(min)}$ AC Test Load

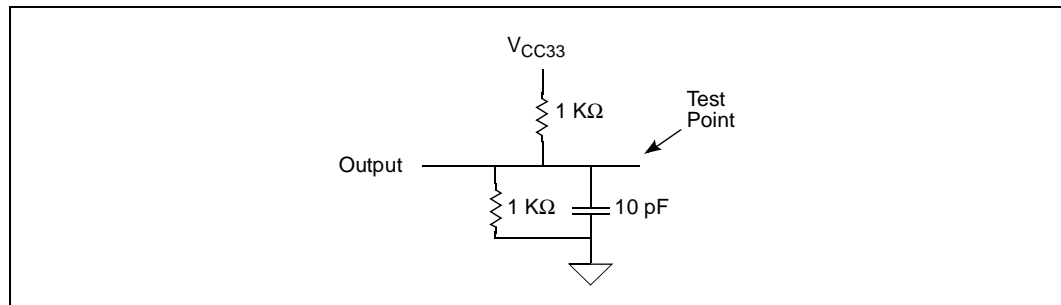


Figure 22. Transmitter Test Load (100 ohm diff Load)

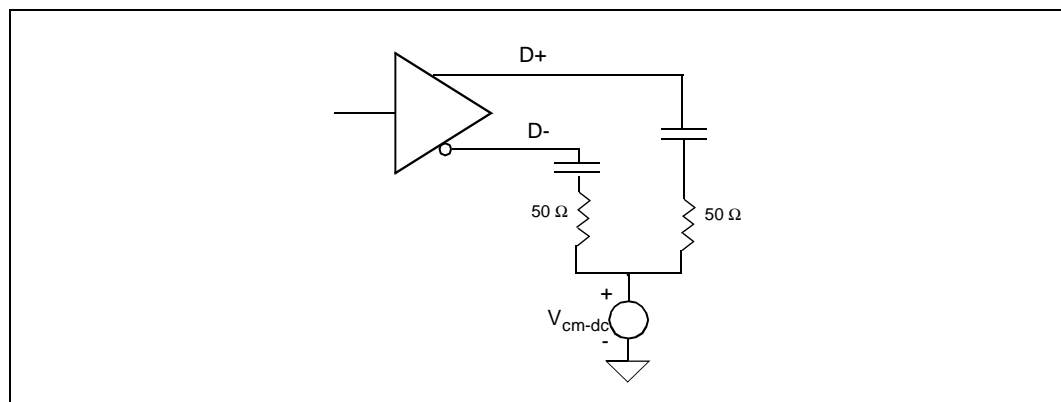


Figure 23. Transmitter Eye Diagram

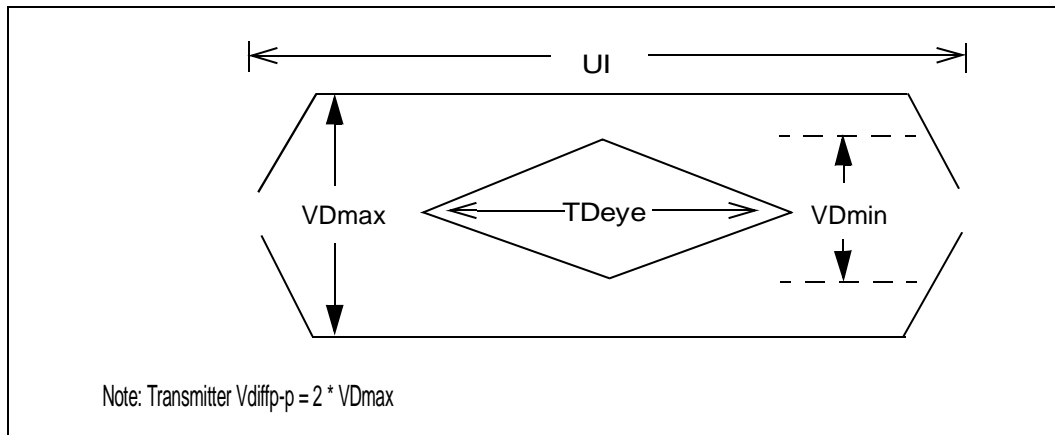


Figure 24. Receiver Eye Opening (Differential)

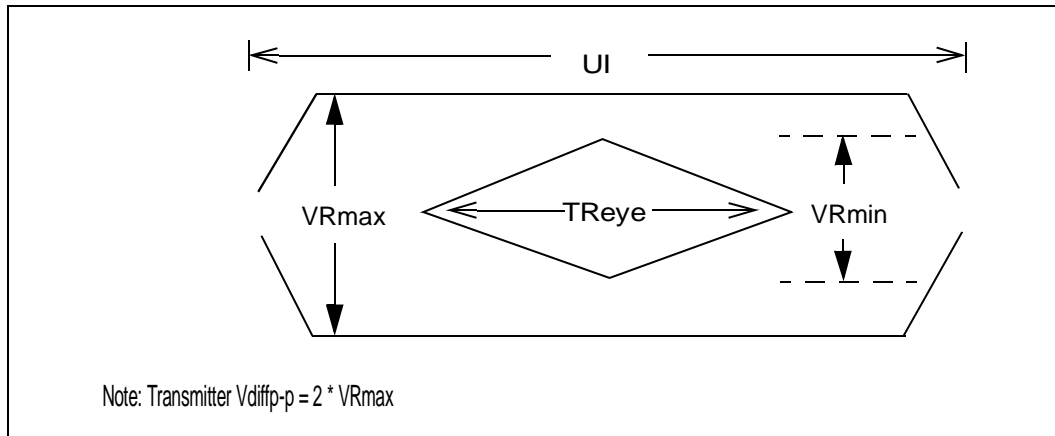




Figure 25. PBI Output Timings

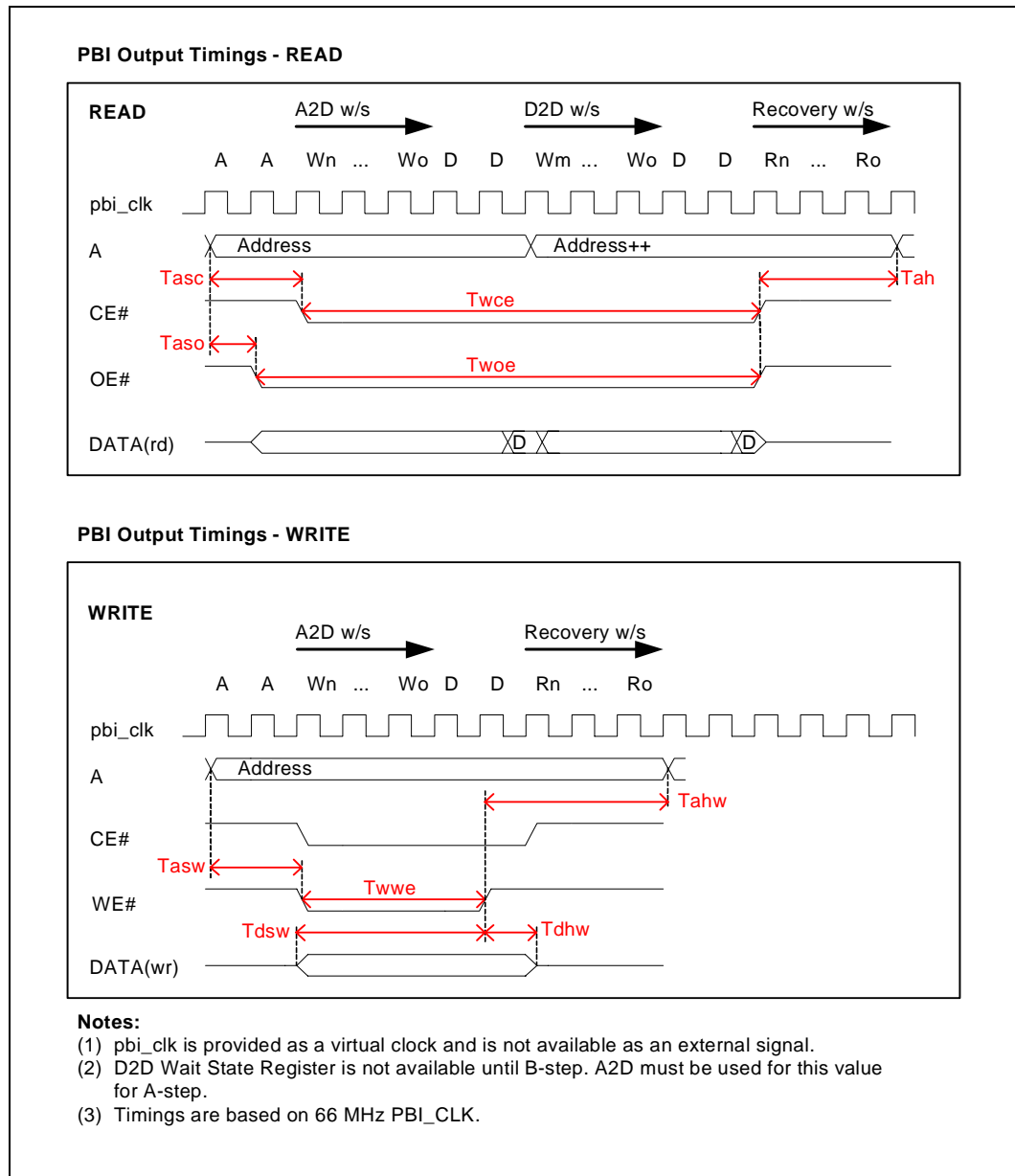
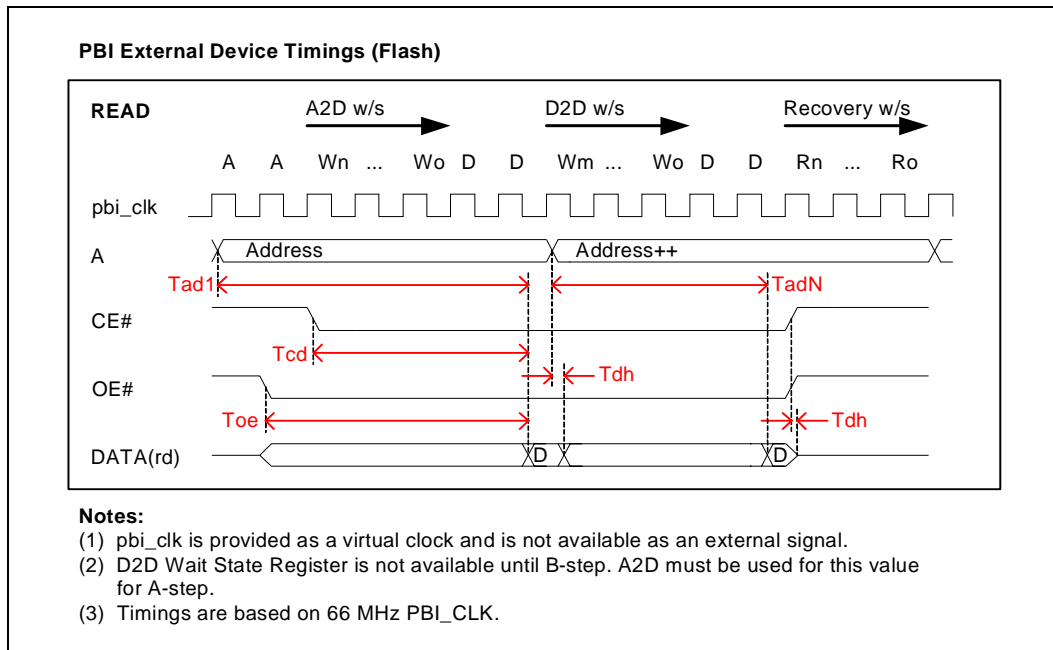


Figure 26. PBI External Device Timings (Flash)





4.5 Storage Interface Electrical Specifications

Table 33. Storage Interface Reference Clock Electrical Characteristics [S_CLKP0/S_CLKN0]

Parameter	Limit			Unit	Condition
	Min.	Typ.	Max.		
S_CLKP0/S_CLKN0 Differential Input voltage	250	350	1000	mV diff-pk	
S_CLKP0/S_CLKN0 Input Common Mode Voltage	$V_{CC1P8S} \times 0.665$	$V_{CC1P8S} \times 0.7$	$V_{CC1P8S} \times 0.735$	V	
S_CLKP0/S_CLKN0 Input Bias Voltage	$V_{CC1P8S}/2 - 100$ mV	$V_{CC1P8S}/2$	$V_{CC1P8S}/2 + 100$ mV	V	This is the voltage to which both S_CLKP0/S_CLKN0 are internally biased.
S_CLKP0/S_CLKN0 Input Clock Frequency	150 - 100 ppm	150	150 + 100 ppm	MHz	1.5G, 3G
	125 - 100 ppm	125	125 + 100 ppm		1G, 1.5G, 2G, 3G, 4G
S_CLKP0/S_CLKN0 Duty Cycle	45		55	%	
S_CLKP0/S_CLKN0 Rise and Fall Ttime		0.35	0.55	nS	20% to 80%
S_CLKP0/S_CLKN0 Input Jitter			2	pS rms	10 KHz–20 MHz bandwidth
S_CLKP0/S_CLKN0 Differential Input Resistance	80	100	120	Ω	
S_CLKP0/S_CLKN0 Differential Input Capacitance		1.5		pF	

Notes:

1. S_CLKP0/S_CLKN0 are AC coupled with a 100 nF capacitor.
2. S_CLKP0/S_CLKN0 are driven from $100 \pm 5\% \Omega$ differential source

Table 34. Storage Interface Transmitter Output Electrical Characteristics [S_TXP[7:0] S_TXN[7:0]]

Parameter	Limit			Unit	Condition
	Min.	Typ.	Max.		
S_TXP [7:0] S_TXN [7:0] Differential Output Voltage	400	500	600	mV pk-pk	SATA Gen 1i, Gen 1m
	800		1600		SATA Gen 1x, Gen 2x
	400		700		SATA Gen 2i, Gen 2m
	400		1600		SAS (including emphasis)
S_TXP [7:0] S_TXN [7:0] De-emphasis	0		44	%	See Figure 27 on page 88.
S_TXP [7:0] S_TXN [7:0] Differential Output Rise & Fall Time	47		130	pS	
S_TXP [7:0] S_TXN [7:0] Differential Output Impedance	85	100	115	Ω	
S_TXP [7:0] S_TXN [7:0] Singled Ended Impedance		40		Ω	

Notes:

1. Transmitter outputs are AC coupled with a 10 nF capacitor.

Figure 27. Maximum Amplitude

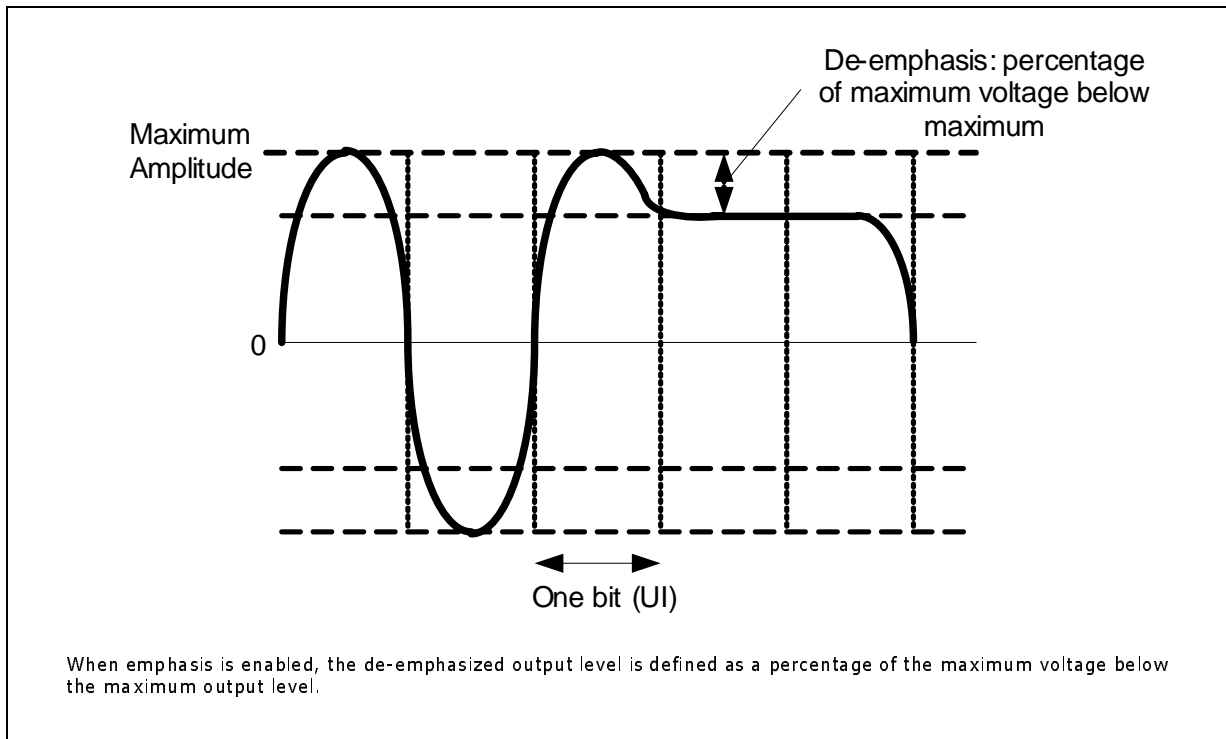




Table 35. Storage Interface Receiver Input Electrical Characteristics [S_RXP[7:0] S_RXN[7:0]]

Parameter	Limit			Unit	Condition
	Min.	Typ.	Max.		
S_RXP [7:0] S_RXN [7:0] Differential Input Voltage	325		600	mV pk-pk	SATA Gen 1i
	240		600		SATA Gen 1m
	275		1600		SATA Gen 1x, 2x
	275		750		SATA Gen 2i
	240		750		SATA Gen 2m
	275		1600		SAS (including emphasis)
S_RXP [7:0] S_RXN [7:0] Differential Input Impedance	85	100	115	Ω	
S_RXP [7:0] S_RXN [7:0] Common Mode Impedance	20	30	40	Ω	

Notes:

- Receiver inputs are AC coupled with a 10 nF capacitor.

Figure 28. Intel® 81348 I/O Processor Storage PHY 1.2 V/1.8 V Power Sequencing System Requirements

