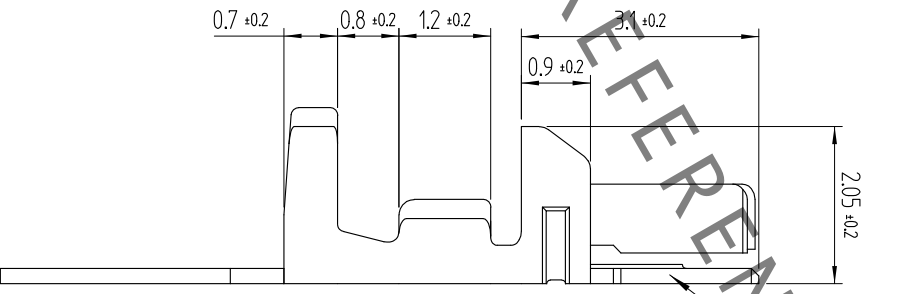
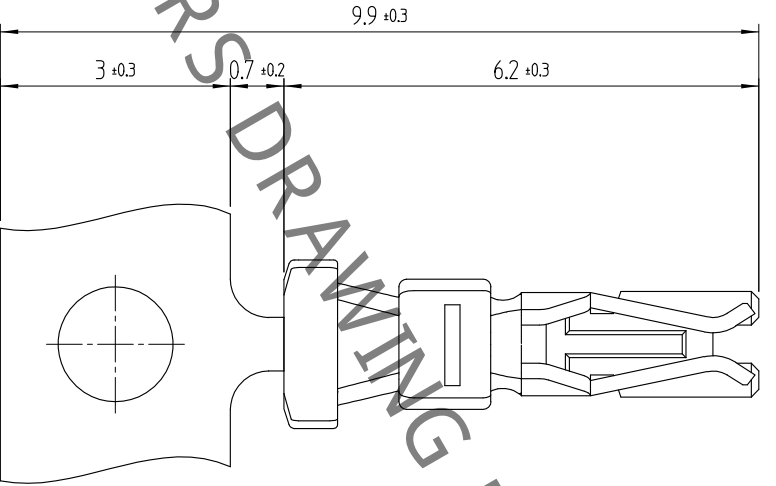
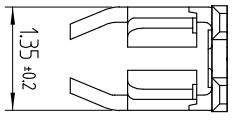


In case of consideration for using Automotive equipment / device which demand high reliability, kindly contact our sales window correspondents.

△數 COUNT	訂正事項 DESCRIPTION OF REVISIONS	擔當 B Y	檢圖 CHKD	年月日 DATE	△數 COUNT	訂正事項 DESCRIPTION OF REVISIONS	擔當 B Y	檢圖 CHKD	年月日 DATE
△				..	△				..
△				..	△				..
△				..	△				..



NOTE1. ONE REEL HAS 10,000 PIECES OF CONTACTS.

NO.	MATERIAL	FINISH. REMARKS	NO.	MATERIAL	FINISH. REMARKS
1	PHOSPHOR BRONZE	TIN PLATED 1μm MIN.			

CODE NO. (OLD)	DRAWN	DESIGNED	CHECKED	APPROVED	RELEASED
	CHOI 17.12.22 J.S	CHOI 17.12.22 J.S	LIM 17.12.22 S.M	KANG 17.12.22 T.S	ENG 20.02.20 DEPT

DRAWING NO. EDC4-611494		PART NO. DF51K-30SCF (800)	
SCALE 10:1		CODE NO 6652-0041-6-800	
UNITS MM		1/1	

HRS DRAWING FOR REFERENCE