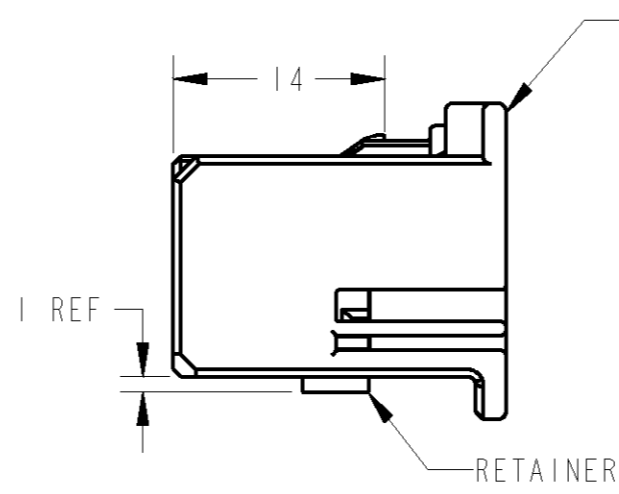
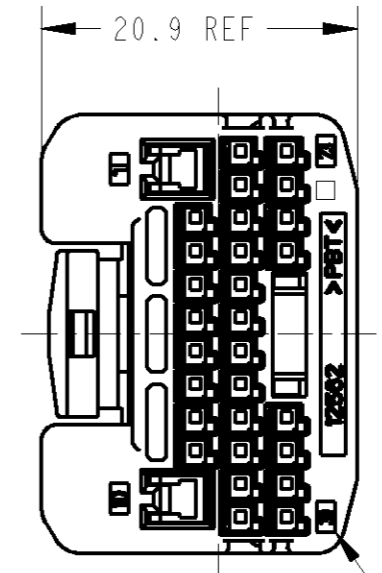
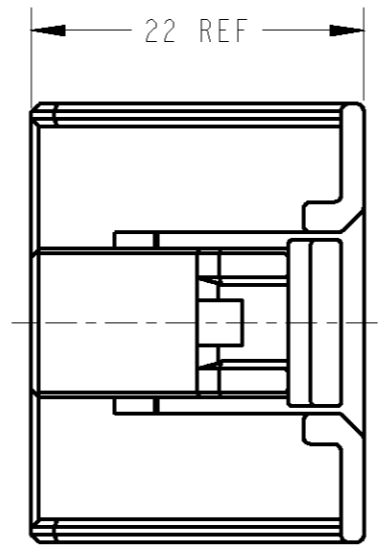
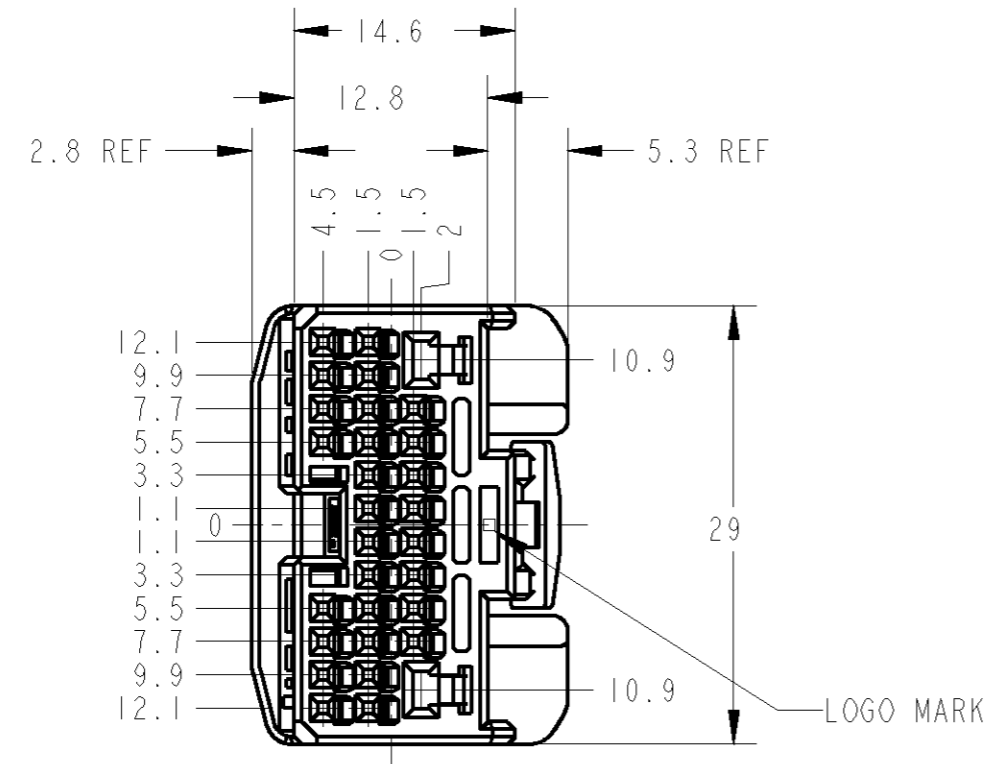


THIS DRAWING IS UNPUBLISHED. RELEASED FOR PUBLICATION 20
 © COPYRIGHT 20 BY TYCO ELECTRONICS CORPORATION. ALL RIGHTS RESERVED.

| LOC | DIST | REVISIONS | | | | | | |
|-----|------|-----------|-----|-------------|---------------|---------|-----|------|
| J | - | P | LTR | DESCRIPTION | ECN | DATE | DWN | APVD |
| | | | 0 | RELEASED | FJA0-387-04 | 13AUG04 | YM | HY |
| | | | 01 | ADD -2 | ECR-05-011611 | 22SEP05 | AY | HY |
| | | | A | REVISED | ECR-10-007504 | 26MAY10 | TS | KB |



1. RETAINER SHOULD BE PRE-ASSEMBLED CONDITION TO HOUSING.
 2. INSTRUCTION SHEET NO.411-78080.
 3. PART NUMBER OF CAP HOUSING TO BE MATED : SEE TABLE-1
 4. APPLIED TERMINALS : SEE TABLE-2
1. プラグハウジングにリテーナを仮係止して出荷される
 2. 取扱説明書NO. 411-78080
 3. 嵌合相手型番 : TABLE-1参照
 4. 適用端子 : TABLE-2参照

TABLE-2

| SIGNAL | TIN | POS 極数 | TERMINAL PART NO. 端子型番 | APPLICABLE WIRE RANGE 適用電線 |
|---------|----------------|-----------|---------------------------|---|
| | SELECTIVE GOLD | | | |
| 0.64111 | TIN | 28 | 1674311-1 | AVSS/CAVS/CAVUS/AVSSH-f 0.3~0.5mm ² |
| | SELECTIVE GOLD | | 1674311-2 | |
| | POWER 09011 | TIN | 2 | S : SEE TABLE-3 |
| | | | M : SEE TABLE-3 | CAVUS 0.5~1.25mm ² CAVS/AVSS 0.5~1.25mm ² AVS 0.5~1.25mm ² |
| | | | L : SEE TABLE-3 | AVSS 2mm ² |

TABLE-1

| POS 極数 | CAP ASSEMBLY PART NO. キャップ番号 |
|-----------|------------------------------------|
| 80 | 1318751 |

| PAPER BOX タンボール | PLASTIC BAG ビニール袋 | BLACK | 1746865-2 ⁽⁰¹⁾ |
|-----------------------|----------------------|---------|---------------------------|
| PAPER BOX タンボール | PLASTIC BAG ビニール袋 | NATURAL | 1746865-1 |
| OUTER 外装 | INNER 内装 | COLOR | PART NUMBER |
| PACKING STYLE 梱包形態 | | | |

TABLE-3

| TERMINAL MAKER 端子メーカー | SIZE サイズ | | |
|---|--------------|--------------|--------------|
| | S | M | L |
| YAZAKI PARTS CO., LTD. 矢崎部品(株)殿 | 7116-4020 | 7116-4021 | 7116-4022 |
| SUMITOMO WIRING SYSTEMS, LTD. 住友電装(株)殿 | 8240-4882 | 8240-4892 | 8240-4942 |
| TOKAI RIKI CO., LTD. (株)東海理化電機製作所殿 | 4R1190-0004E | 4R1191-0004E | 4R1192-0005F |

THIS DRAWING IS A CONTROLLED DOCUMENT FOR TYCO ELECTRONICS CORPORATION
 IF IS SUBJECT TO CHANGE AND THE CONTROLLING ENGINEERING ORGANIZATION
 SHOULD BE CONTACTED FOR THE LATEST REVISION.

| | |
|----------------------------|--|
| DIMENSIONS: 単位: 概 mm | TOLERANCES UNLESS OTHERWISE SPECIFIED: 一般公差 ±0.3 0-PLC ± 1-PLC ±0.1 2-PLC ±0.01 3-PLC ±0.001 4-PLC ±0.0001 ANGLES ±3'00" |
| MATERIAL 材料 PBT | FINISH 仕上 SEE TABLE |

| | | | | |
|--|-------------------------------|-------------------------------|--|--------------------|
| DWN Y. MITO 13AUG04 | CHK H. YAMAGAMI 13AUG04 | APVD S. ISOHATA 13AUG04 | Tyco Electronics Corporation Kawasaki, Japan | |
| PRODUCT SPEC 108-5953 | | | NAME 名称 0.64111/2.311 SERIES CONNECTOR 30 POSITION PLUG ASSEMBLY | |
| APPLICATION SPEC 取付適用規格 114-5329 | | | SIZE A3 | CAGE CODE 00779 |
| WEIGHT 6.88 g | | | DRAWING NO C=1746865 | |
| CUSTOMER DRAWING | | | SCALE 尺度 2:1 | SHEET OF 1 |
| | | | REV A | |