

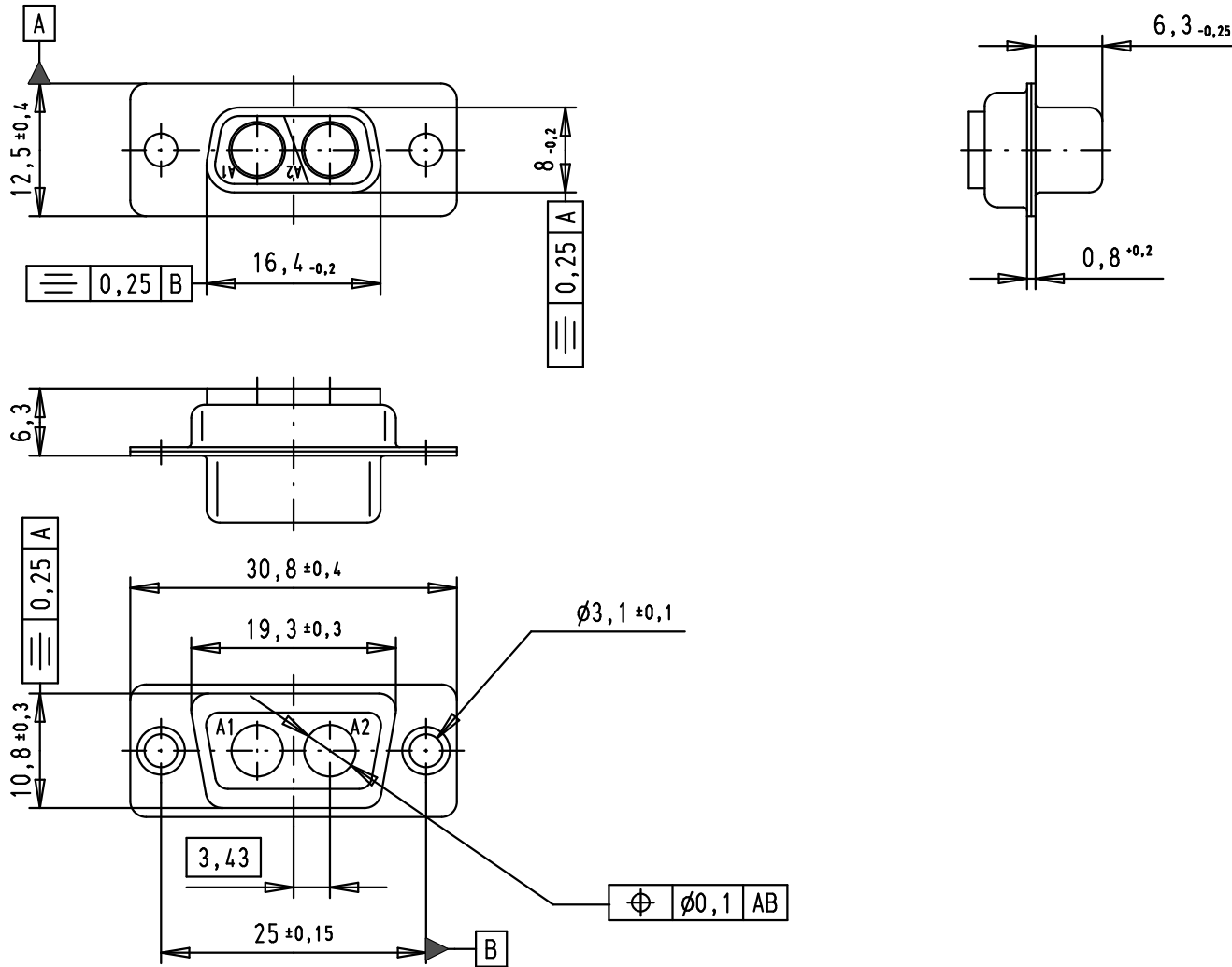
5

4

3

2

1

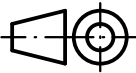



D

C

B

A

09 69 100 0022.500	Non magnetic				Detail.	21-AUG-02	CV	 All Dim. in mm Orig. Size DIN A 4	D-Sub, female, 2W2C, without contacts, with tin plated shell	Maßstab/ Scale 1.5:1
		EC01864	11/05/10	SC	Insp.					
		32119	23/06/04	AC	Stand.					
		31545	24/09/03	AF						
		31076	21-AUG-02	CV						
Part number		Mod.	Dot.	Name	HARTING EURL F-95972 Paris				TB 09 69 100 0022	Blatt/ Page 1 /
					Sub.					