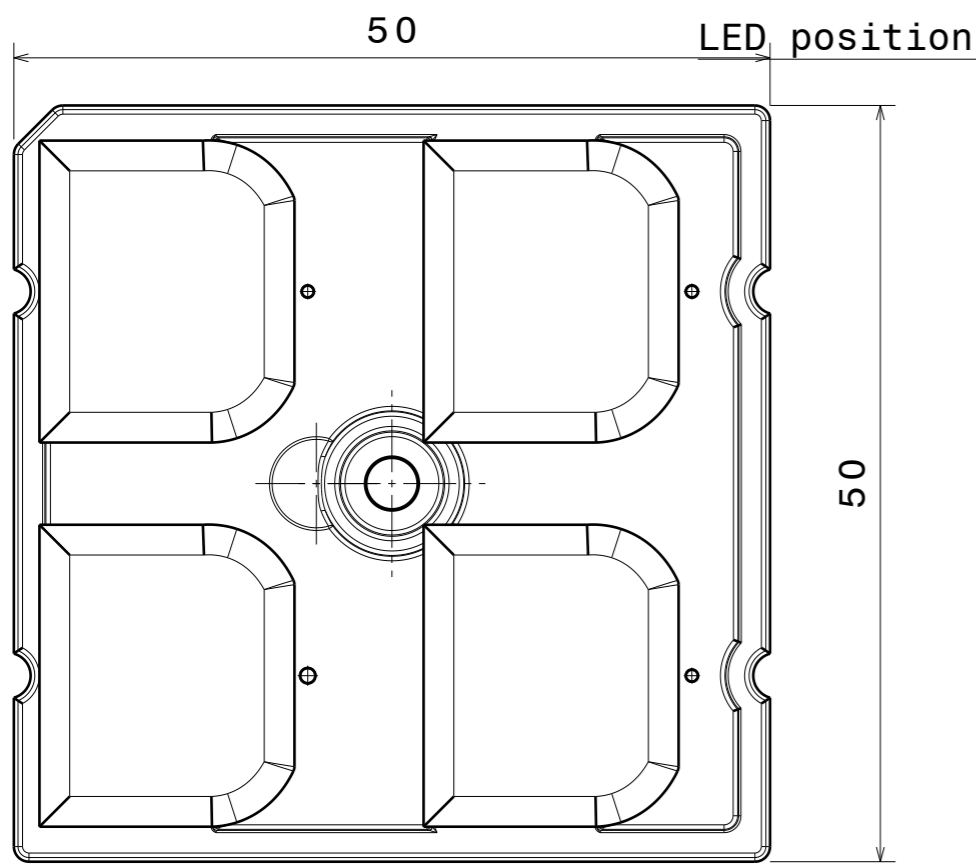
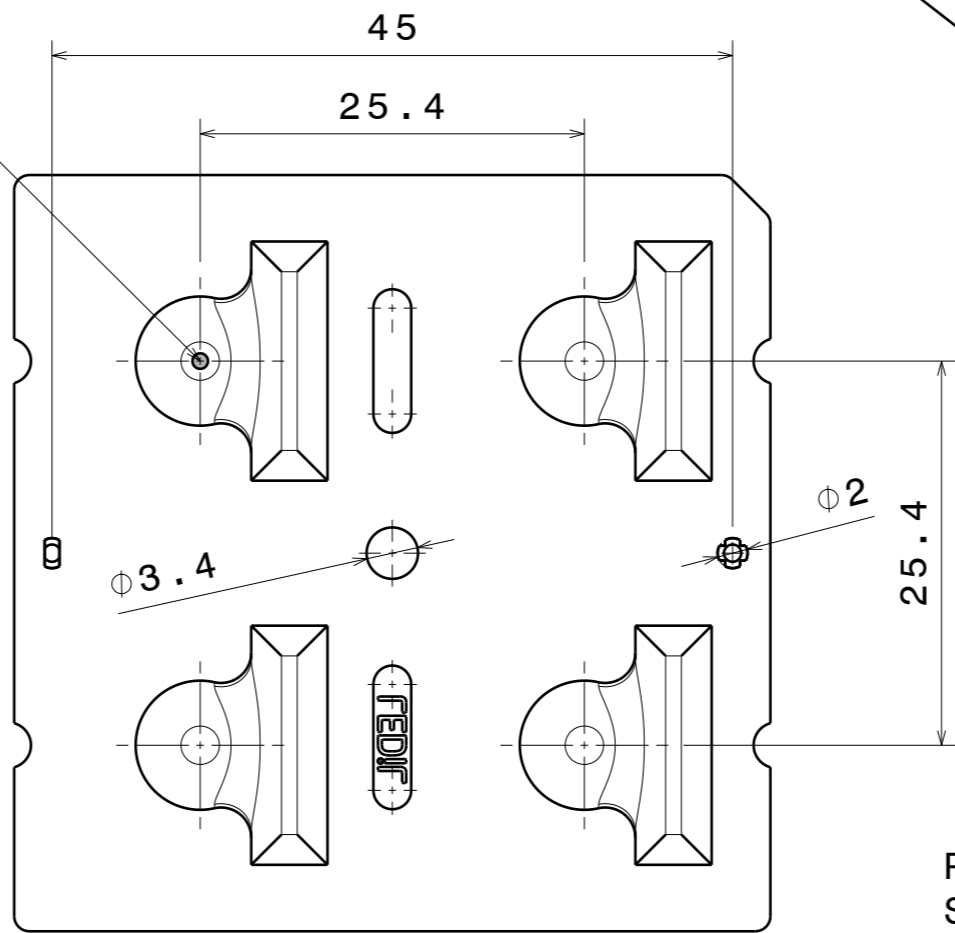


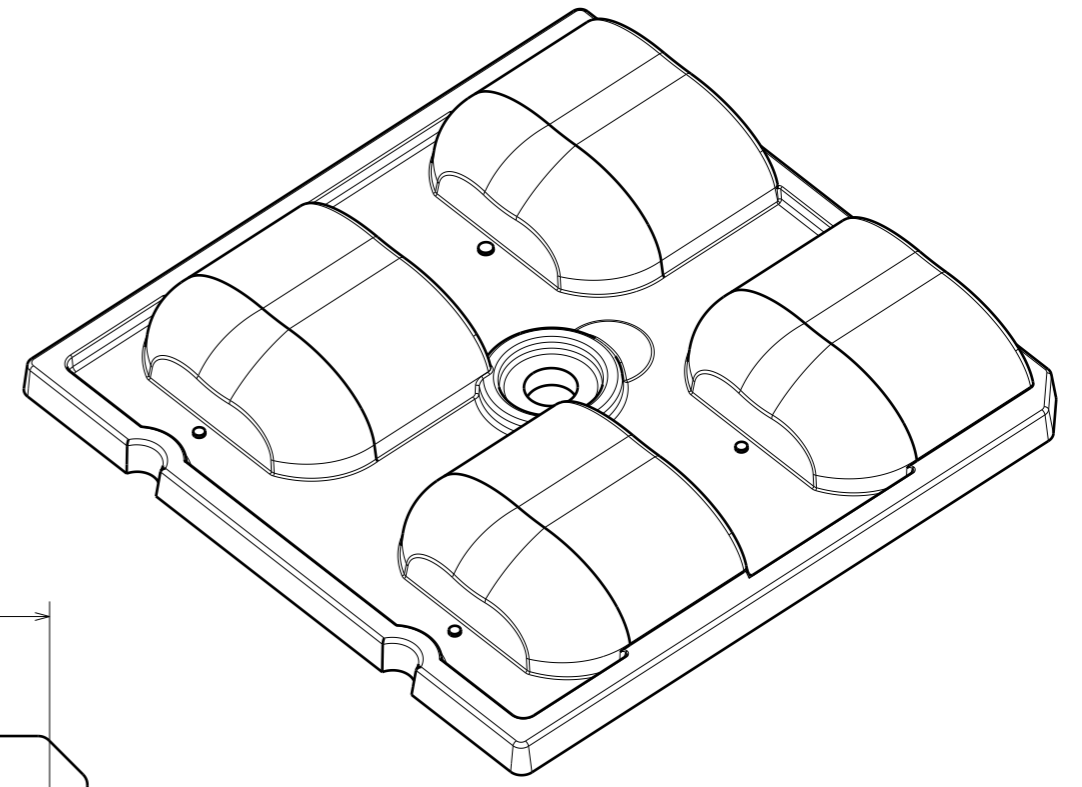
Bottom view
Scale: 2:1



Front view
Scale: 2:1



Rear view
Scale: 2:1



Isometric view
Scale: 2:1

Plastic moulding general tolerances according to DIN 16901-130 and applies if not otherwise shown in the drawing.
Silicone moulding general tolerances according to ISO 3302-1 Class M3 and applies if not otherwise shown in the drawing.

LEDiL Ledil Oy
Salorankatu 10
FIN 24240 SALO
Finland

THIRD ANGLE PROJECTION:

DRAWING TITLE
Datasheet_STRADA-2X2-T2-C

This drawing is the property of LEDiL Oy. It may not be reproduced, copied or communicated without a written agreement with LEDiL Oy.

SIZE	PART NUMBER		
A3	C15292		

SCALE	2:1	WEIGHT	g	SHEET	1/1
-------	-----	--------	---	-------	-----